

PLEASE CHECK WWW.MOLEX.COM FOR LATEST PART INFORMATION

Part Number: [0445200001](#)
Status: **Active**
Overview: [modular_plugs_jacks](#)
Description: Modular Jack, Right Angle, Shielded, Stacked, 8/8, 8 Ports

Documents:

[3D Model](#) [Product Specification PS-44050-003 \(PDF\)](#)
[Drawing \(PDF\)](#) [RoHS Certificate of Compliance \(PDF\)](#)
[Packaging Specification \(PDF\)](#)

Agency Certification

CSA LR19980
 UL E107635

General

Product Family Modular Jacks/Plugs
 Series [44520](#)
 Comments High Speed|Multi-Port
 Component Type PCB Jack
 Magnetic No
 Overview [modular_plugs_jacks](#)
 Performance Category 5
 Power over Ethernet (PoE) N/A
 Product Name RJ45

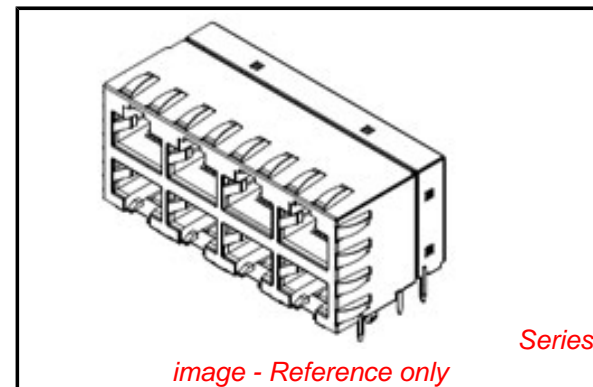
Physical

Color - Resin Black
 Durability (mating cycles max) 500
 Flammability 94V-0
 Inverted / Top Latch Yes
 Lightpipes/LEDs None
 Material - Metal Brass, Phosphor Bronze
 Material - Plating Mating Gold
 Material - Plating Termination Tin
 Material - Resin Polyester
 Orientation Right Angle (Side Entry)
 PCB Retention Yes
 PCB Thickness Recommended (in) 0.062 In
 PCB Thickness Recommended (mm) 1.60 mm
 Packaging Type Tray
 Plating min: Mating (µin) 50
 Plating min: Mating (µm) 1.25
 Plating min: Termination (µin) 100
 Plating min: Termination (µm) 2.5
 Ports 8
 Positions / Loaded Contacts 8/8
 Surface Mount Compatible (SMC) No
 Temperature Range - Operating -40°C to +80°C
 Termination Interface: Style Through Hole
 Wire/Cable Type N/A

Electrical

Current - Maximum per Contact 1.5A
 Shielded Yes
 Voltage - Maximum 125V

Solder Process Data



EU RoHS

ELV and RoHS Compliant
REACH SVHC
 Not Reviewed
Halogen-Free Status
Not Reviewed

China RoHS



Need more information on product environmental compliance?

Email productcompliance@molex.com
 For a multiple part number RoHS Certificate of Compliance, [click here](#)

Please visit the [Contact Us](#) section for any non-product compliance questions.

Search Parts in this Series

[44520Series](#)

Mates With

FCC 68 Plugs

Lead-free Process Capability

Wave Capable (TH only)

Material Info

Reference - Drawing Numbers

Packaging Specification

PK-44520-003

Product Specification

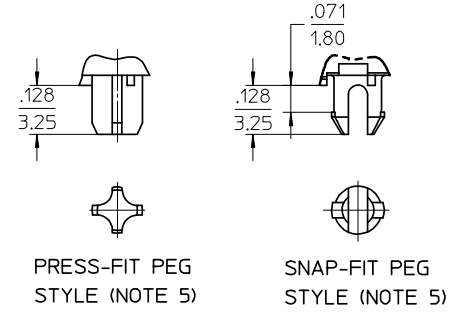
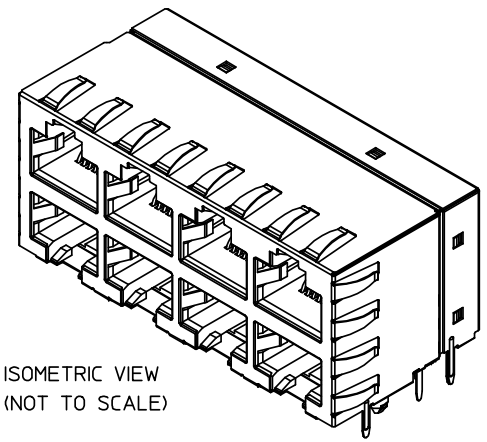
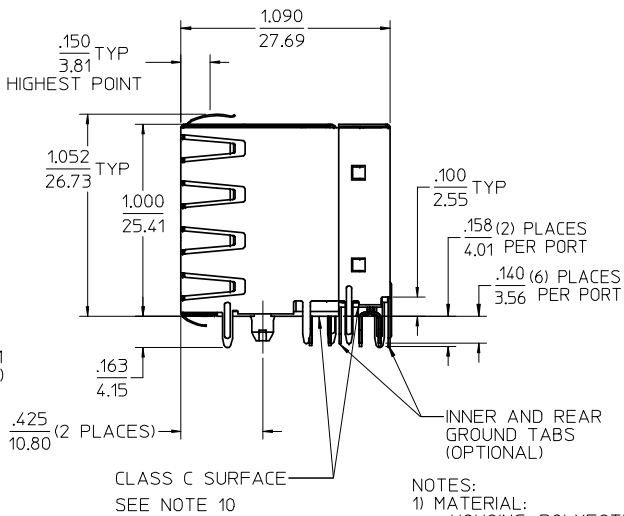
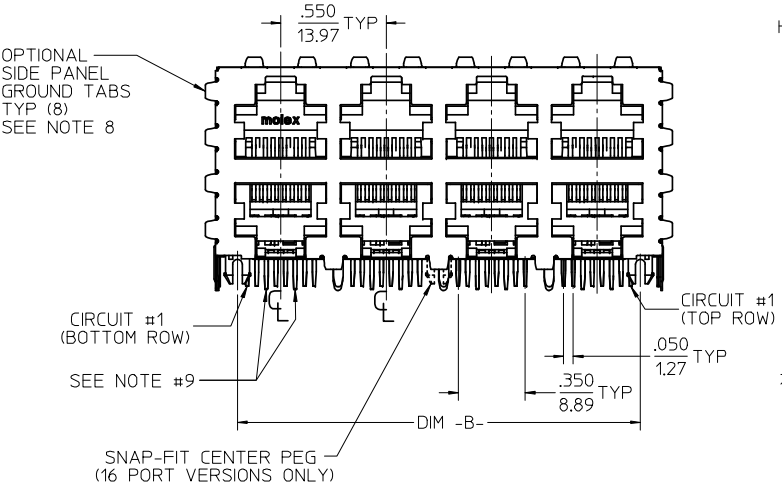
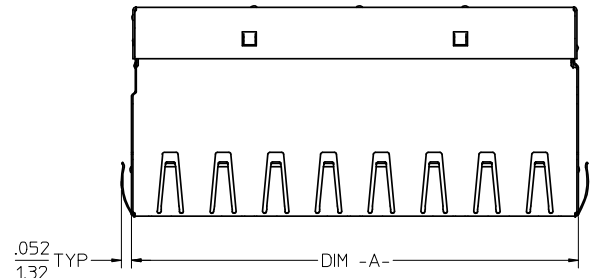
PS-44050-003

Sales Drawing

SD-44520-001

This document was generated on 06/08/2010

PLEASE CHECK WWW.MOLEX.COM FOR LATEST PART INFORMATION



- NOTES:
- 1) MATERIAL:
HOUSING: POLYESTER(PBT), GLASS FILLED, UL94V-0, COLOR: BLACK
TERMINALS: PHOSPHOR BRONZE
SHIELD: BRASS
 - 2) FINISH:
TERMINALS:
SELECT GOLD IN CONTACT AREA: 50 MICROINCHES MIN.,
*SELECT TIN IN PC TAIL AREA: 100 MICROINCHES MIN.,
WITH OVERALL NICKEL UNDERPLATE: 50 MICROINCHES MIN.
SHIELD:
*100 MICROINCHES NICKEL OVER 50 MICROINCHES COPPER UNDERPLATE
PCB GROUND TABS DIPPED IN TIN
*THE PRIMARY SHIPPING CARTON WILL BE LABELED "COMPLIANT TO RoHS DIRECTIVE 2002/95/EC AND ELV ANNEX II OF DIRECTIVE 2000/53/EC".
CARTONS WITHOUT THIS LABEL MAY CONTAIN PRODUCT WITH TIN-LEAD IN THE PC TAILS AND/OR SHIELD.
 - 3) PRODUCT SPECIFICATION AND PROCESSING PARAMETERS: PS-44050-003.
 - 4) PACKAGING SPECIFICATION:
CONNECTOR PACKAGED IN THERMOFORMED TRAYS.
 - 5) CONNECTORS AVAILABLE WITH EITHER SNAP-FIT OR PRESS-FIT PEGS.
 - 6) CONFORMS TO FCC REGULATION PART 68.5 FOR MODULAR JACKS.
 - 7) PCB LAYOUT AND PANEL CUT-OUT SHOWN ON SHEET (2) OF (2).
 - 8) AVAILABLE WITH THE (8) PANEL GROUND TABS REMOVED ON EACH SIDE FOR SIDE TO SIDE STACKABILITY.
 - 9) TERMINAL LENGTHS MAY BE DIFFERENT FROM TERMINAL TO TERMINAL.
 10. THIS PART CONFORMS TO CLASS B REQUIREMENTS OF COSMETIC SPECIFICATION PS-45499-002 WITH THE EXCEPTION OF THE INDICATED SURFACE WHICH IS A CLASS C SURFACE.

ASSEMBLY MATERIAL NUMBER	NUMBER OF PORTS	PEG STYLE	DIM -A-	DIM -B-	SIDE PANEL GROUND TABS	INNER/REAR GROUND TABS
44520-0001	8 (2 X 4)	SNAP-FIT	2.330/59.18	2.100/53.34	YES	YES
44520-2001	8 (2 X 4)	SNAP-FIT	2.330/59.18	2.100/53.34	NO	YES
44520-3001	8 (2 X 4)	SNAP-FIT	2.330/59.18	2.100/53.34	YES	NO
44520-4001	8 (2 X 4)	SNAP-FIT	2.330/59.18	2.100/53.34	NO	NO
44520-0004	8 (2 X 4)	PRESS-FIT	2.330/59.18	2.100/53.34	YES	YES
44520-2004	8 (2 X 4)	PRESS-FIT	2.330/59.18	2.100/53.34	NO	YES
44520-3004	8 (2 X 4)	PRESS-FIT	2.330/59.18	2.100/53.34	YES	NO
44520-4004	8 (2 X 4)	PRESS-FIT	2.330/59.18	2.100/53.34	NO	NO
44520-0002	12 (2 X 6)	SNAP-FIT	3.430/87.12	3.200/81.28	YES	YES
44520-2002	12 (2 X 6)	SNAP-FIT	3.430/87.12	3.200/81.28	NO	YES
44520-3002	12 (2 X 6)	SNAP-FIT	3.430/87.12	3.200/81.28	YES	NO
44520-4002	12 (2 X 6)	SNAP-FIT	3.430/87.12	3.200/81.28	NO	NO
44520-0005	12 (2 X 6)	PRESS-FIT	3.430/87.12	3.200/81.28	YES	YES
44520-2005	12 (2 X 6)	PRESS-FIT	3.430/87.12	3.200/81.28	NO	YES
44520-3005	12 (2 X 6)	PRESS-FIT	3.430/87.12	3.200/81.28	YES	NO
44520-4005	12 (2 X 6)	PRESS-FIT	3.430/87.12	3.200/81.28	NO	NO
44520-0003	16 (2 X 8)	SNAP-FIT	4.530/115.06	4.300/109.22	YES	YES
44520-2003	16 (2 X 8)	SNAP-FIT	4.530/115.06	4.300/109.22	NO	YES
44520-3003	16 (2 X 8)	SNAP-FIT	4.530/115.06	4.300/109.22	YES	NO
44520-4003	16 (2 X 8)	SNAP-FIT	4.530/115.06	4.300/109.22	NO	NO
44520-0006	16 (2 X 8)	PRESS-FIT	4.530/115.06	4.300/109.22	YES	YES
44520-2006	16 (2 X 8)	PRESS-FIT	4.530/115.06	4.300/109.22	NO	YES
44520-3006	16 (2 X 8)	PRESS-FIT	4.530/115.06	4.300/109.22	YES	NO
44520-4006	16 (2 X 8)	PRESS-FIT	4.530/115.06	4.300/109.22	NO	NO

ADDED NOTE 10
EC NO: UCP2009-0280
DRAWN: KLOSTERMAYER 2008/08/01
CHKD: BELLE 2008/08/04
APPR: FSMITH 2008/08/04

QUALITY SYMBOLS
▽=0
▽=0

REVISIONS
C2

GENERAL TOLERANCES (UNLESS SPECIFIED)

	mm	INCH
4 PLACES ±	---	± .010
3 PLACES ±	---	± .010
2 PLACES ±	0.25	± .010
1 PLACE ±	---	± .010

ANGULAR ±1/2°

DRAFT WHERE APPLICABLE MUST REMAIN WITHIN DIMENSIONS

DIMENSION STYLE
IN/MM

DRAWN BY DATE
MARGULIS 99/04/16

CHECKED BY DATE
ROBERTS 99/04/18

APPROVED BY DATE
ROBERTS 99/04/18

MATERIAL NO.
SEE CHART

SIZE
C

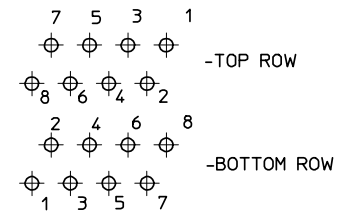
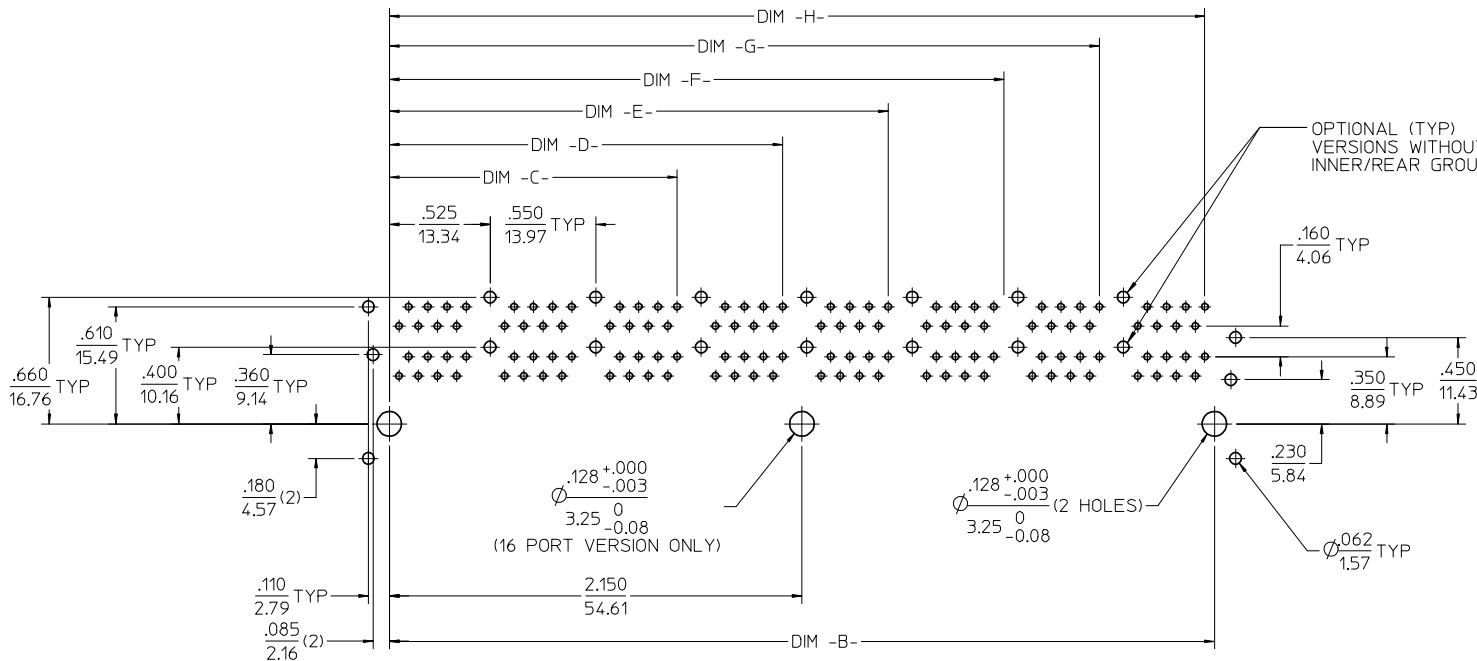
SCALE 2:1
DESIGN UNITS INCH
THIRD ANGLE PROJECTION

TITLE
STACKED MODULAR JACK CATEGORY 5

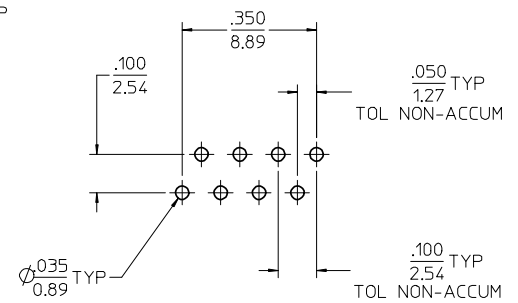
MOLEX INCORPORATED

DOCUMENT NO. SD-44520-001
SHEET NO. 1 OF 2

THIS DRAWING CONTAINS INFORMATION THAT IS PROPRIETARY TO MOLEX INCORPORATED AND SHOULD NOT BE USED WITHOUT WRITTEN PERMISSION

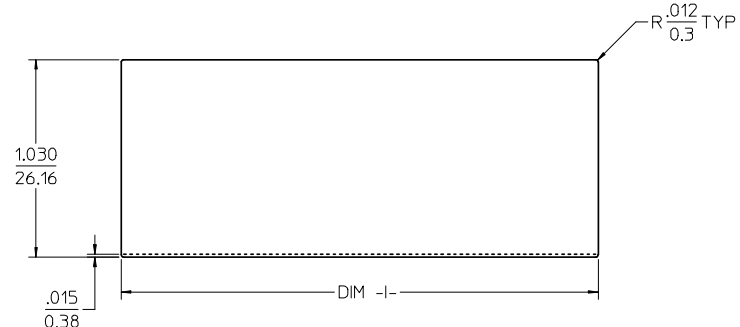


MOLEX TRADITIONAL PIN LAYOUT (TYP)



TYP HOLE LAYOUT (EACH PORT)

PC BOARD LAYOUT: COMPONENT SIDE
RECOMMENDED PCB THICKNESS: .062/1.57
(16 PORT VERSION SHOWN)



FROM TOP OF PCB TO BOTTOM OF OPENING

RECOMMENDED PANEL CUTOUT

NUMBER OF PORTS	DIM -B-	DIM -C-	DIM -D-	DIM -E-	DIM -F-	DIM -G-	DIM -H-	DIM -I-	QUALITY SYMBOLS		GENERAL TOLERANCES (UNLESS SPECIFIED)		DIMENSION STYLE		SCALE	DESIGN UNITS	THIRD ANGLE PROJECTION		
									mm	INCH	mm	INCH	IN/MM	DATE	TITLE	INCH	DATE	DATE	DATE
8 (2 X 4)	2.100/53.34	1.500/38.10	2.050/52.07						4 PLACES ± ---	± ---	± ---	± ---	DRAWN BY MARGULIS	99/04/16	STACKED MODULAR JACK CATEGORY 5	2:1	INCH	THIRD ANGLE PROJECTION	
12 (2 X 6)	3.200/81.28	1.500/38.10	2.050/52.07	2.600/66.04	3.150/80.01				3 PLACES ± ---	± .010	± ---	± ---	CHECKED BY ROBERTS	99/04/18					
16 (2 X 8)	4.300/109.22	1.500/38.10	2.050/52.07	2.600/66.04	3.150/80.01	3.700/93.98	4.250/107.95	4.560/115.82	2 PLACES ± 0.25	± ---	± ---	± ---	APPROVED BY ROBERTS	99/04/18	MOLEX INCORPORATED	MATERIAL NO. SEE CHART	DOCUMENT NO. SD-44520-001	SHEET NO. 2 OF 2	
									1 PLACE ± ---	± ---	± ---	± ---							
										ANGULAR ±1/2°									
										DRAFT WHERE APPLICABLE MUST REMAIN WITHIN DIMENSIONS		SIZE C							