

**PLEASE CHECK WWW.MOLEX.COM FOR LATEST PART INFORMATION**

**Part Number:** [0857205050](#)  
**Status:** **Active**  
**Overview:** [rj45 industrial ethernet plugs receptacles and accessories](#)  
**Description:** Modular Plug, RJ-45, Push/Pull, Industrial Hybrid, Category 5, Shielded, 8/8, IP67, 4 Data and 4 Power Contacts Loaded

**Documents:**

[Drawing \(PDF\)](#) [RoHS Certificate of Compliance \(PDF\)](#)

**General**

Product Family	Modular Jacks/Plugs
Series	<a href="#">85720</a>
Component Type	Wire Plug
Magnetic	No
Overview	<a href="#">rj45 industrial ethernet plugs receptacles and accessories</a>
Performance Category	5
Power over Ethernet (PoE)	N/A
Product Name	Industrial, RJ45

**Physical**

Color - Resin	Black
Durability (mating cycles max)	750
Inverted / Top Latch	N/A
Keying to Mating Part	None
Lightpipes/LEDs	None
Material - Metal	Phosphor Bronze
Material - Plating Mating	Gold
Material - Plating Termination	Gold
Material - Resin	Polycarbonate
Orientation	N/A
PCB Locator	No
PCB Retention	N/A
Packaging Type	Tray
Panel Mount	N/A
Ports	1
Positions / Loaded Contacts	8/8
Temperature Range - Operating	-40°C to +70°C
Termination Interface: Style	N/A
Wire/Cable Type	Round

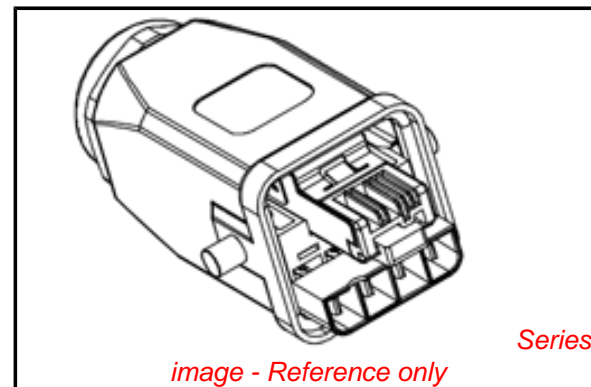
**Electrical**

Current - Maximum per Contact	1.5A
Grounding to PCB	No
Grounding to Panel	N/A
Shielded	Yes
Voltage - Maximum	48V

**Material Info**

**Reference - Drawing Numbers**

Application Specification	AS-85720-003
Sales Drawing	SD-85720-004



*image - Reference only*

**EU RoHS**

**ELV and RoHS  
Compliant  
REACH SVHC  
Not Reviewed  
Halogen-Free  
Status**

**China RoHS**



**Need more information on product  
environmental compliance?**

Email [productcompliance@molex.com](mailto:productcompliance@molex.com)  
For a multiple part number RoHS Certificate of Compliance, [click here](#)

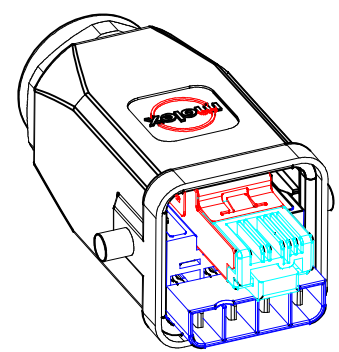
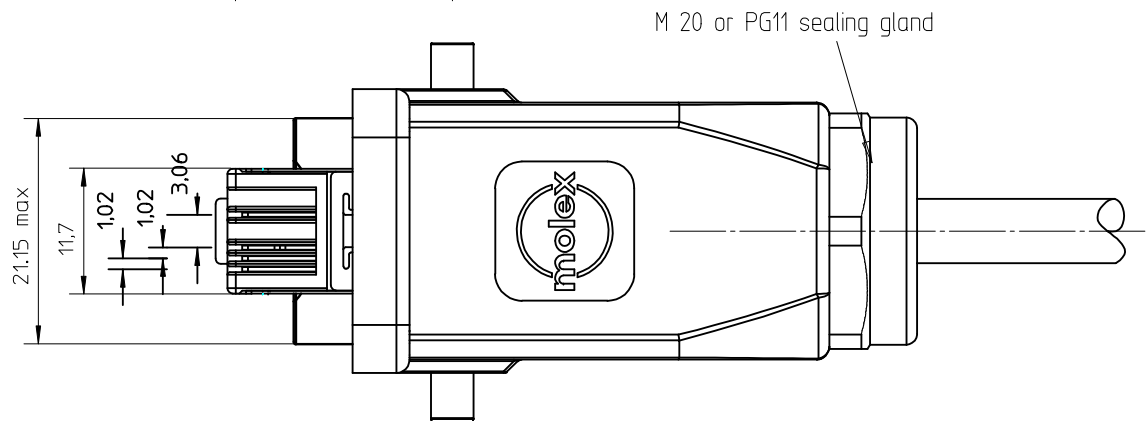
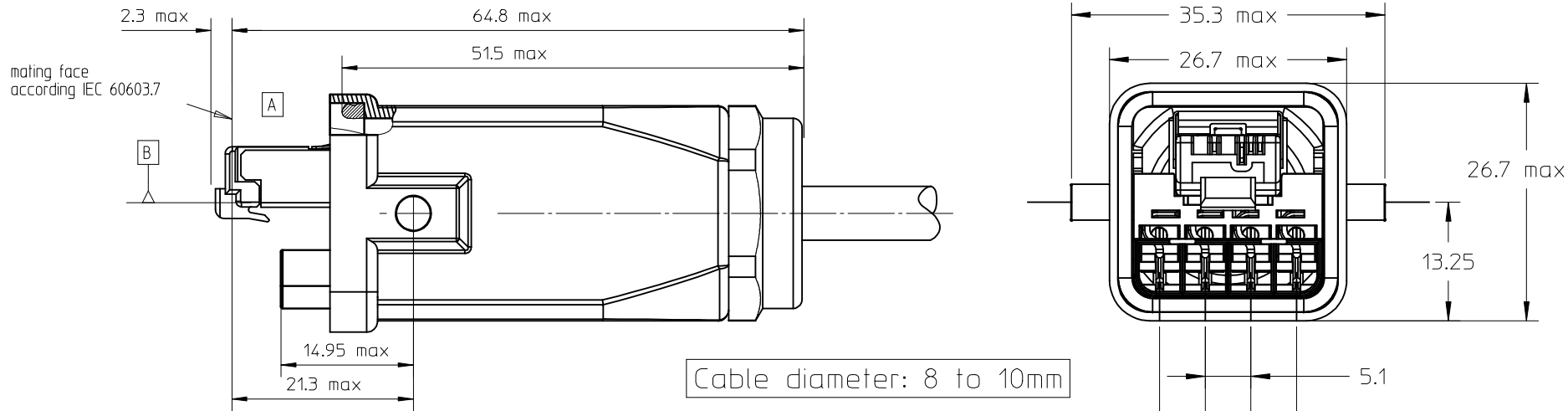
Please visit the [Contact Us](#) section for any non-product compliance questions.

**Search Parts in this Series**

[85720Series](#)

**Mates With**

[RJ-45 Jacks and Accessories](#)



power contact		data contact		performance level				
Ag:5μm over Ni		Au:1.27μm over Ni		1				
<b>ENTER DESCRIPTION</b> EC NO: MG2006-0187 DRWN: CSEBASTI 2008/12/19 CHKD: RSILLER 2008/12/19 APPR: AVOGT 2008/12/19	<b>QUALITY SYMBOLS</b> ▽=0 ◻=0	GENERAL TOLERANCES (UNLESS SPECIFIED)		DIMENSION STYLE		SCALE	DESIGN UNITS	FIRST ANGLE PROJECTION
				MM ONLY		1.5:1	METRIC	
				DRAWN BY DATE		TITLE		
				CHECKED BY DATE		RJ INDUSTRIAL IP 67 HYBRID PLUG 4DATA + 4POWER		
				APPROVED BY DATE		MOLEX INCORPORATED		
		ANGULAR ± 2 °		MATERIAL NO.		DOCUMENT NO.		SHEET NO.
DRAFT WHERE APPLICABLE MUST REMAIN WITHIN DIMENSIONS		85720-5050		SD-85720-004		1 OF 1		
2		A 4		THIS DRAWING CONTAINS INFORMATION THAT IS PROPRIETARY TO MOLEX INCORPORATED AND SHOULD NOT BE USED WITHOUT WRITTEN PERMISSION				