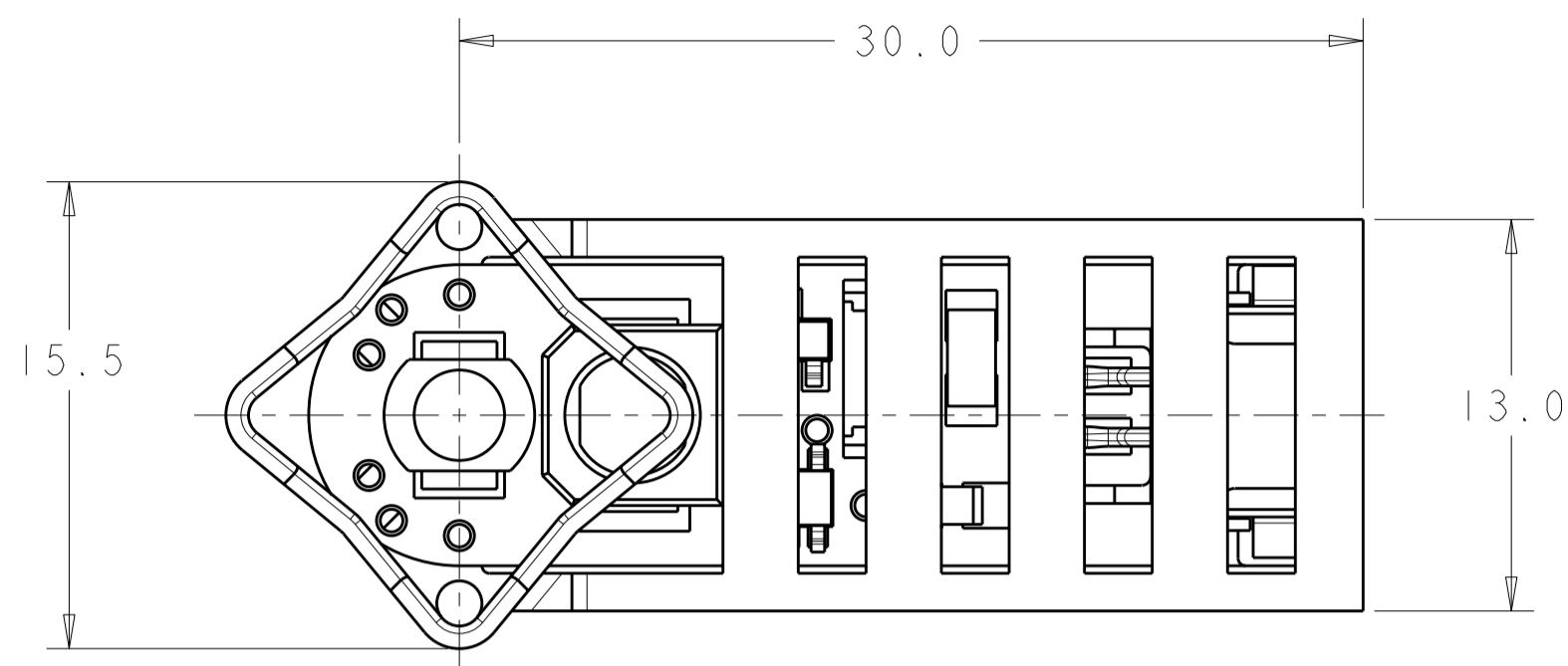
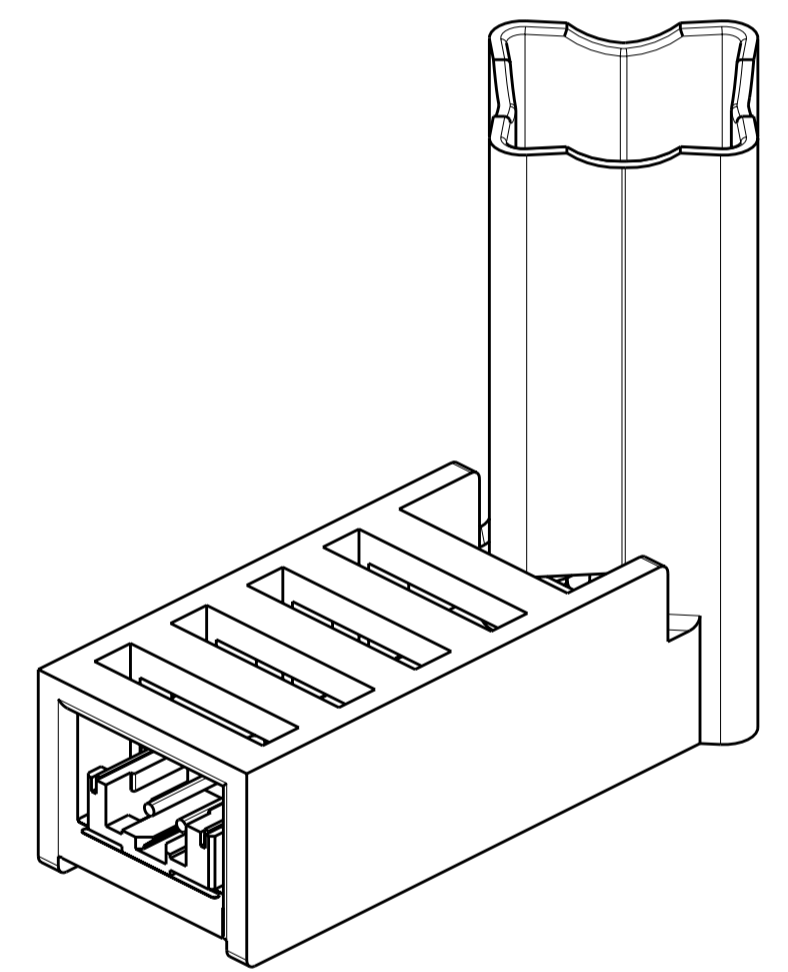
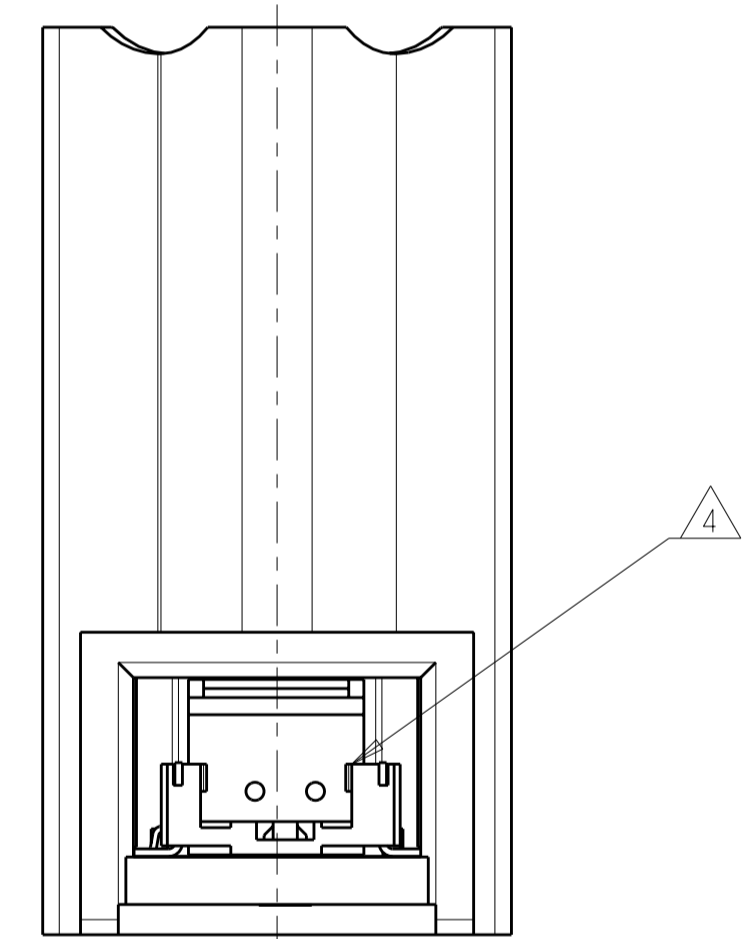
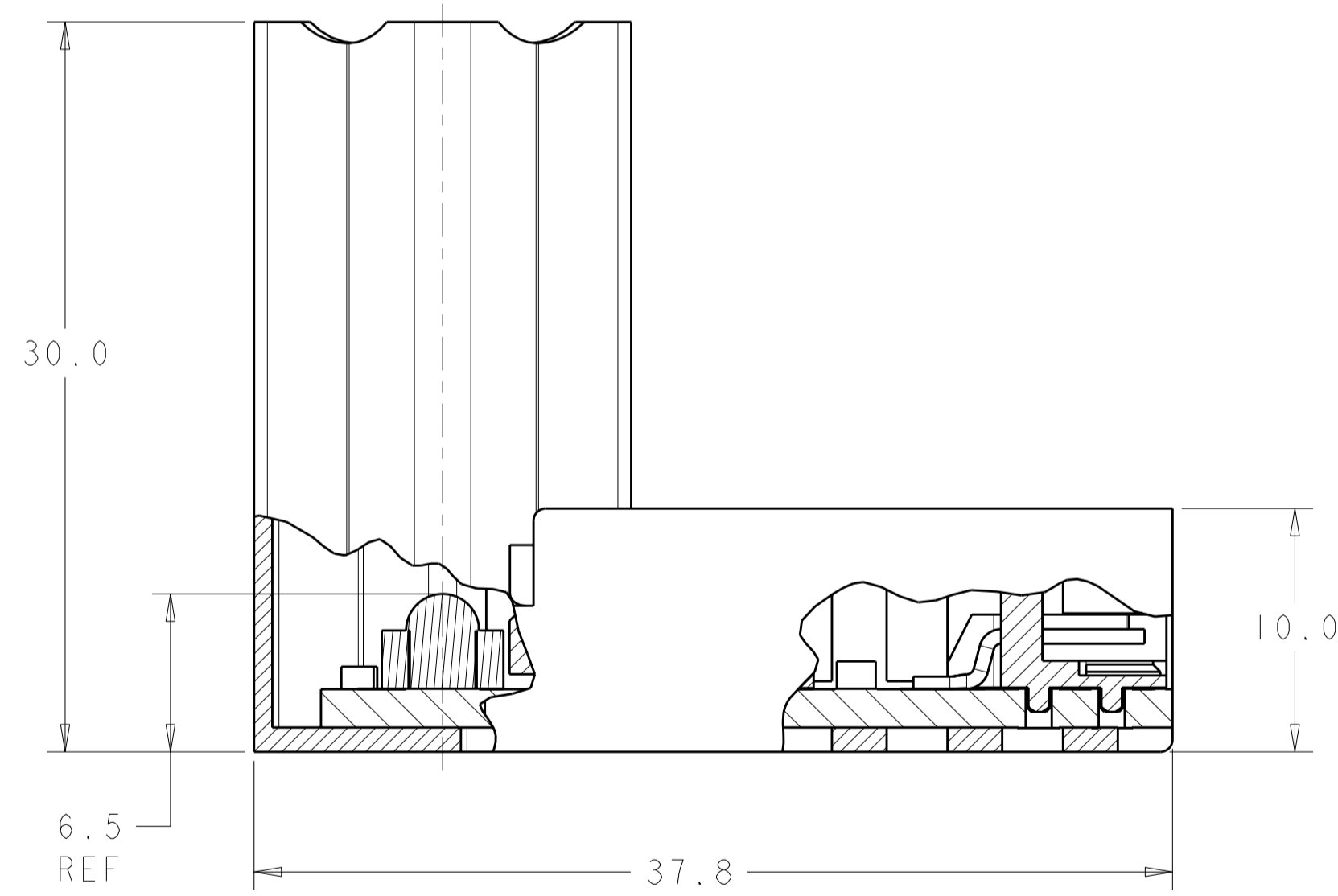


THIS DRAWING IS UNPUBLISHED. RELEASED FOR PUBLICATION 20  
 © COPYRIGHT 20 BY TYCO ELECTRONICS CORPORATION. ALL RIGHTS RESERVED.

LOC		DIST		REVISIONS			
P	LTR	DESCRIPTION	DATE	DWN	APVD		
	1	PROPOSED	22JAN2008	APB	-		



- 1 MATERIALS AND FINISH:
  - LIGHT ENGINE HOUSING: PBT
  - PCB: FR4
- 2. MUST COMPLY WITH DIRECTIVE 2002/95/EC (ROHS)
- 3. THIS PRODUCT HAS NOT COMPLETED VALIDATION TESTING
- 4 2 POSITION CT R/A HEADER



5.0	5VDC RESISTOR DRIVE	2008876-4
10.0	5VDC RESISTOR DRIVE	2008876-3
5.0	7-27VDC CONSTANT CURRENT	2008876-2
10.0	7-27VDC CONSTANT CURRENT	2008876-1
LIGHT PIPE SIZE		NOTES
		PART NO.

TYCO ELECTRONICS  
 CONFIDENTIAL  
 AND PROPRIETARY

PROPOSED DESIGN  
 NOT PRODUCTION TOOLED

DESIGN IS SUBJECT TO  
 CHANGE WITHOUT NOTICE

THIS DRAWING IS A CONTROLLED DOCUMENT FOR TYCO ELECTRONICS CORPORATION. IT IS SUBJECT TO CHANGE AND THE CONTROLLING ENGINEERING ORGANIZATION SHOULD BE CONTACTED FOR THE LATEST REVISION.		DWN ARJUN 22JAN2008	Tyco Electronics Harrisburg, PA 17105-3608	
DIMENSIONS: mm		CHK C. GINGRICH 22JAN2008	NAME LIGHT ENGINE ASSEMBLY 1/2 WATT LED	
TOLERANCES UNLESS OTHERWISE SPECIFIED: 0 PLC ± 1 PLC ±0.3 2 PLC ± 3 PLC ± 4 PLC ± ANGLES ±2 FINISH		APVD -	PRODUCT SPEC -	RESTRICTED TO -
MATERIAL 1 -		APPLICATION SPEC -	WEIGHT -	SIZE A200779
		CUSTOMER DRAWING	SCALE 4:1	DRAWING NO C-2008876
			SHEET	OF
			REV	