

# Ethernet DC/DC Converter EPC1012P & EPC1012H

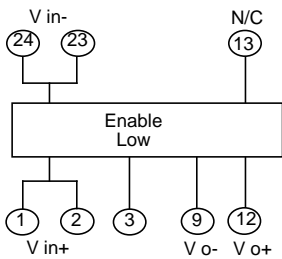
- Features**
- 70 % Typical efficiency at full load†
  - Enable Active : Low
  - Regulated Output
  - Input / Output Isolation
  - Input filter to reduce input ripple current
  - Designed for low common mode noise

## Electrical Specifications

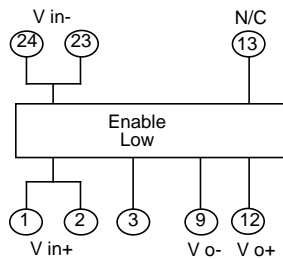
Notes : \*Package with G = Surface Mount Device †@ nominal input voltage

PCA P/N	Standard Package	Optional Packages	Input Voltage V	Output Voltage V	Output Current mA Max.	Output Ripple & Noise @ 20 MHz BW mV p-p	Isolation Vrms
EPC1012P	E6	E6-G*,E7,E8	12 ± 10%	9 ± 5%	200 Max.	100 Max.	500
EPC1012H	E6	E6-G*,E8	12 ± 10%	9 ± 5%	200 Max.	100 Max.	2000

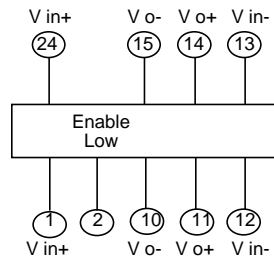
Pin Connections for E6



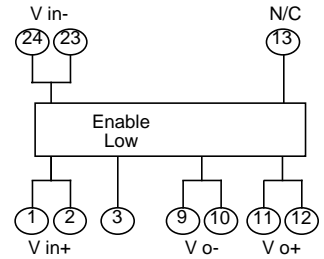
Pin Connections for E6-G



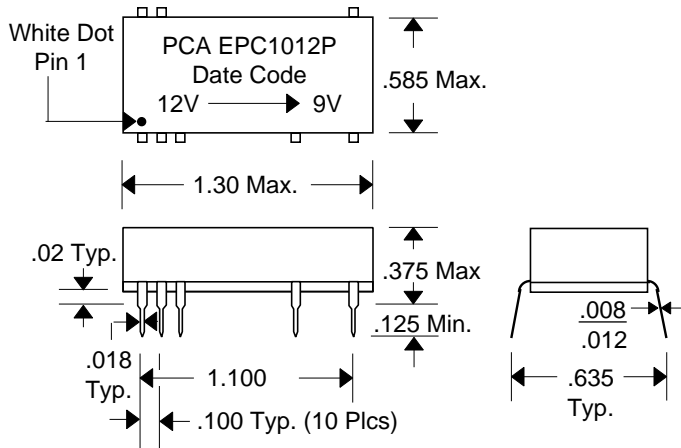
Pin Connections for E7



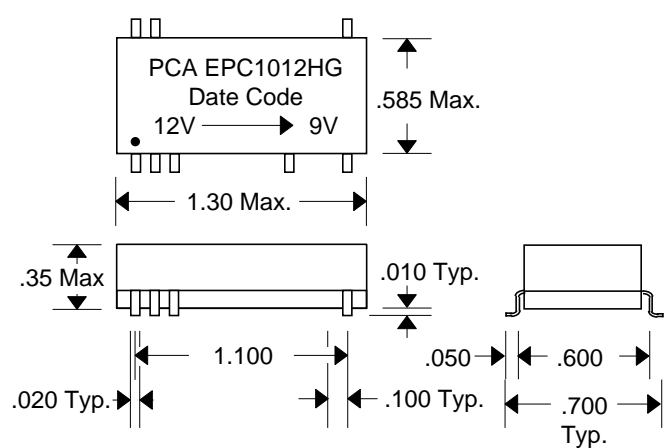
Pin Connections for E8



PACKAGE E6

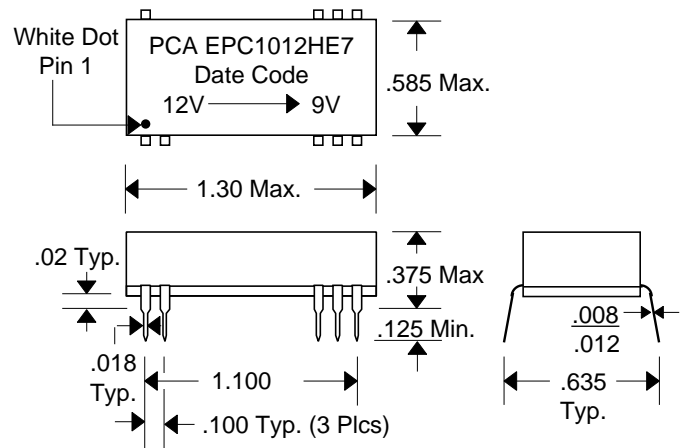


PACKAGE E6-G



PACKAGE E7

Optional SMD Package Available



PAD LAYOUT

