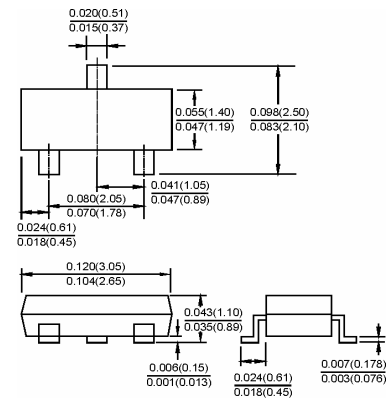


SOT-23



Features

- ✧ Fast Switching Speed
- ✧ Surface Mount Package Ideally Suited for Automatic Insertion
- ✧ For General Purpose Switching Applications
- ✧ High Conductance

Marking: JF

Dimensions in inches and (millimeters)

Maximum Ratings @ $T_A=25^{\circ}\text{C}$

Parameter	Symbol	Value	Unit
Non-Repetitive Peak reverse voltage	V_{RM}	70	V
DC Blocking Voltage	V_R		
Average Rectified Output Current	I_O	100	mA
Power Dissipation	P_D	225	mW
Thermal Resistance. Junction to Ambient Air	$R_{\theta JA}$	556	$^{\circ}\text{C}/\text{W}$
Junction temperature	T_J	150	$^{\circ}\text{C}$
Storage temperature range	T_{STG}	-55-150	$^{\circ}\text{C}$

ELECTRICAL CHARACTERISTICS ($T_{amb}=25^{\circ}\text{C}$ unless otherwise specified)

Parameter	Symbol	Test conditions	MIN	MAX	UNIT
Reverse breakdown voltage	$V_{(BR)R}$	$I_R=100\mu\text{A}$	70		V
Reverse voltage leakage current	I_R	$V_R=70\text{V}$		2.5	μA
Forward voltage	V_F	$I_F=1\text{mA}$ $I_F=10\text{mA}$ $I_F=50\text{mA}$ $I_F=150\text{mA}$		0.715 0.855 1 1.25	V
Diode Capacitance	C_D	$V_R=0, f=1\text{MHz}$		1.5	pF
Reveres recovery time	t_{rr}	$I_F=I_R=10\text{mA}, R_L=100\Omega,$ $I_{rr}=0.1 \times I_R$		6	nS

Typical Characteristics

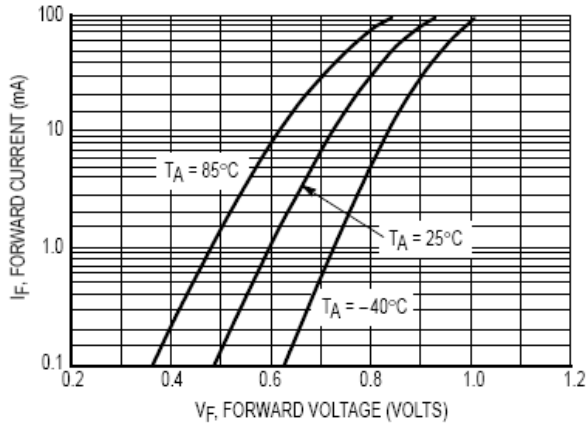


Figure 1. Forward Voltage

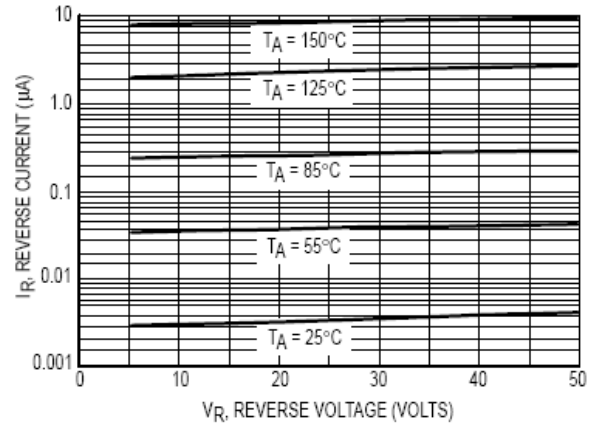


Figure 2. Leakage Current

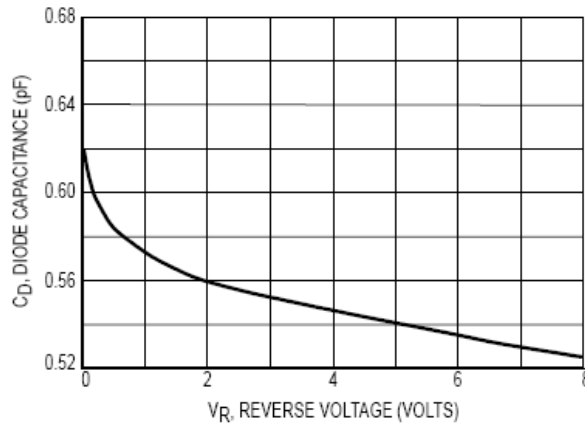


Figure 3. Capacitance