

# SSA 187/L SERIES 3 TIER 3mm LED ASSEMBLY

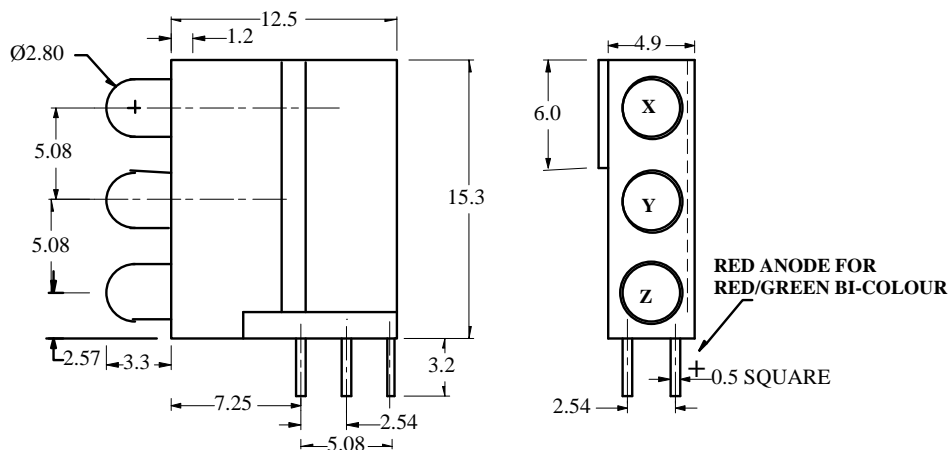
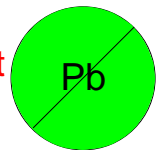
The SSA 187 series is a family of display devices using a Black Nylon 6 UL-94VO rated housing to mount three 3mm LEDs at right angles to a PCB. The pin out is in line on 0.1". In any one batch the LEDs are lumenous intensity matched.

- Accurate alignment of LEDs.
- Low current and high brightness available.
- Unique Baseplate for accurate lead positioning.
- Matched LEDs.
- Blue also available.
- Near equivalent to Dialight 564-0X20-XXX



## MECHANICAL DATA

This component is RoHS compliant



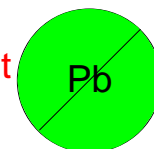
**BEDFORD OPTO TECHNOLOGY LTD**  
**1 BIGGAR BUSINESS PARK, BIGGAR, LANARKSHIRE, ML12 6FX**  
Tel: +44 (0) 1899 221221 Fax: +44 (0) 1899 221009  
Website: bot.co.uk E-mail: bill@bot.co.uk

| Parameter   | Red             | Soft  | Yellow | Green | Pure  | Red   |
|---|-----------------|-------|--------|-------|-------|-------|
| Forward Current                                       | 30mA            | 30mA  | 30mA   | 30mA  | 30mA  | 30mA  |
| Power Dissipation                                     | 100mW           | 100mW | 100mW  | 100mW | 100mW | 100mW |
| Reverse Voltage volts                                 | 6               | 6     | 6      | 6     | 6     | 10µA  |
| Operating Temperature                                 | -40°C to +100°C |       |        |       |       |       |
| Storage Temperature                                   |                 |       |        |       |       |       |
| Lead Soldering Temperature for 5sec (2.0mm from Body) |                 |       |        |       |       |       |
|   | -55°C to 100°C  |       |        |       |       |       |
|   | 260°C           |       |        |       |       |       |

**OPTO ELECTRONIC DATA** (Ta = 25°C)

| COLOUR      |     | Luminous Intensity If = 10mA mcd | Peak Wave-length nm | Viewing Angle Degrees | Forward Voltage If = 20mA volts |
|-------------|-----|----------------------------------|---------------------|-----------------------|---------------------------------|
| RED         | min | 6.3                              | -                   | -                     | 2.0                             |
|             | typ | 10                               | 635                 | 60                    |                                 |
| SOFT ORANGE | Min | 1.6                              | 605                 | 60                    | 2.4                             |
|             | Typ | 4.0                              |                     |                       |                                 |
| YEL-LOW     | min | 6.3                              | -                   | -                     | 2.4                             |
|             | typ | 10                               | 585                 | 60                    |                                 |
| GREEN       | min | 6.3                              | -                   | -                     | 2.4                             |
|             | typ | 10                               | 565                 | 60                    |                                 |
|             | max | -                                | -                   | -                     |                                 |
| PURE GREEN  | min | 1.6                              | -                   | -                     | 2.4                             |
|             | typ | 3.5                              | 555                 | 60                    |                                 |
|             | max | -                                | -                   | -                     |                                 |
| RED         | Min | 2.2 @20mA                        | 630                 | 200                   | 2.0                             |
|             | Typ | 4.8 @20mA                        |                     |                       | 2.8                             |
|             | Max | -                                |                     |                       | -                               |
| GREEN       | Min | 2.2 @20mA                        | 565                 | 200                   | 2.1                             |
|             | Typ | 4.8 @20mA                        |                     |                       | 2.8                             |
|             | Max | -                                |                     |                       | -                               |
| BI-         |     |                                  |                     |                       |                                 |

This component is RoHS compliant



**ORDERING INFORMATION**

**SSA187XYZ** X = Top LED Y = Middle LED Z = Bottom LED  
 Indicate colour by using R = Red O= Orange Y = Yellow  
 B = Blank G = Green PG= Pure Green BC=Red/Green Bi-colour

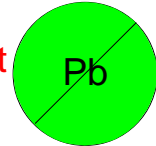
**BEDFORD OPTO TECHNOLOGY LTD**  
**1 BIGGAR BUSINESS PARK, BIGGAR, LANARKSHIRE, ML12 6FX**  
 Tel: +44 (0) 1899 221221 Fax: +44 (0) 1899 221009  
 Website: bot.co.uk E-mail: bill@bot.co.uk

## LOW CURRENT VERSIONS

### ABSOLUTE MAXIMUM RATINGS (T<sub>A</sub> = 25°C)

| Parameter                  | Red             | Green | Yellow |
|----------------------------|-----------------|-------|--------|
| Forward Current mA         | 7.0             | 7.0   | 7.0    |
| Power Dissipation          | 20mW            | 20mW  | 20mW   |
| Reverse Voltage volts      | 6               | 6     | 6      |
| Operating Temperature      | -40°C to +100°C |       |        |
| Storage Temperature        | -55°C to 100°C  |       |        |
| Lead Soldering Temperature | 260°C           |       |        |

This component is RoHS compliant



### OPTO ELECTRONIC DATA (T<sub>a</sub> = 25°C)

| COLOUR |     | Luminous Intensity<br>I <sub>f</sub> = 2mA<br>mcd | Peak Wave-length<br>nm | Viewing Angle<br>Degrees | Forward Voltage<br>I <sub>f</sub> = 2mA<br>volts |
|--------|-----|---|------------------------|--------------------------|--|
| RED    | min | 1.0   | -                      | -                        | 1.9  |
|        | typ | 2.0   | 635                    | 50                       |  |
| YELLOW | min | 1.0   | -                      | -                        | 2.4  |
|        | typ | 2.0   | 585                    | 50                       |  |
| GREEN  | min | 1.0   | -                      | -                        | 1.9  |
|        | typ | 2.0   | 565                    | 50                       |  |
|        | max | -   | -                      | -                        |  |

### ORDERING INFORMATION

**SSA187LXYZ**    X = Top LED    Y = Middle LED    Z = Bottom LED

Indicate colour by using    R = Red    Y = Yellow  
    B = Blank    G = Green

**BEDFORD OPTO TECHNOLOGY LTD**  
**1 BIGGAR BUSINESS PARK, BIGGAR, LANARKSHIRE, ML12 6FX**  
 Tel: +44 (0) 1899 221221 Fax: +44 (0) 1899 221009  
 Website: bot.co.uk E-mail: bill@bot.co.uk