

PLEASE CHECK WWW.MOLEX.COM FOR LATEST PART INFORMATION

Part Number: [0191951047](#)
Status: **Active**
Description: MagKrimp™ Round Ring Tongue Terminal with Ribbed Barrel, Stud Size 1/2", 165,000-230,000 Circular Mil Area, Plated

Documents:

[Drawing \(PDF\)](#) [Product Specification PS-19902-001 \(PDF\)](#)
[Product Specification PS-19195-001 \(PDF\)](#) [RoHS Certificate of Compliance \(PDF\)](#)

Agency Certification

UL E32244

General

Product Family Ring and Spade Terminals
 Series [19195](#)
 Comments Ribbed Barrel for Reinforcement
 Crimp Quality Equipment Yes
 Mil-Spec N/A
 Product Name MagKrimp™(Magnet Wire)
 Type Ring

Physical

Barrel Type Open
 Insulation None
 Material - Plating Mating Tin
 Packaging Type Bag
 Plating min: Mating (µin) 100
 Plating min: Mating (µm) 2.5
 Plating min: Termination (µin) 100
 Plating min: Termination (µm) 2.5
 Stud Size 1/2" (M12)
 Temperature Range - Operating -40°C to +100°C
 Termination Interface: Style Crimp or Compression
 Wire Size AWG N/A

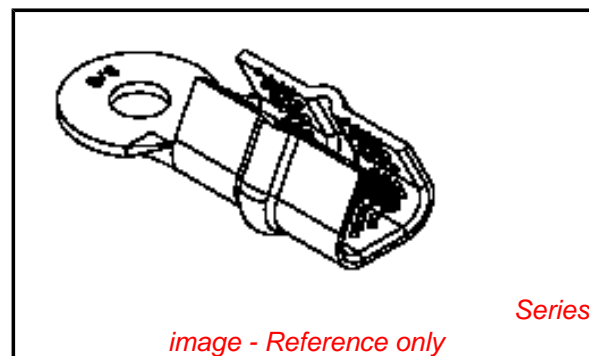
Electrical

Voltage - Maximum 2000V

Material Info

Reference - Drawing Numbers

Product Specification PS-19195-001, PS-19902-001
 Sales Drawing SD-19195-005



EU RoHS

ELV and RoHS Compliant
REACH SVHC
 Not Reviewed
Halogen-Free Status
Not Reviewed

China RoHS



Need more information on product environmental compliance?

Email productcompliance@molex.com
 For a multiple part number RoHS Certificate of Compliance, [click here](#)

Please visit the [Contact Us](#) section for any non-product compliance questions.

Search Parts in this Series

[19195Series](#)

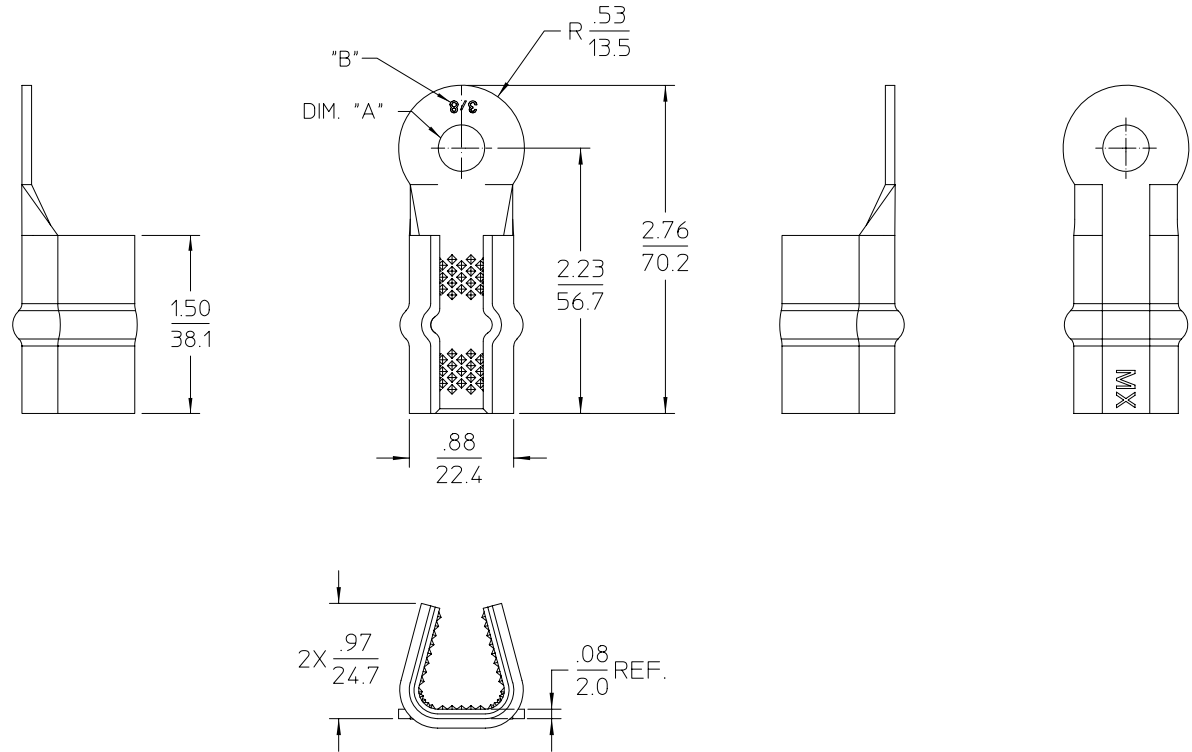
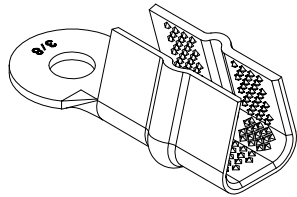
Application Tooling | [FAQ](#)

Tooling specifications and manuals are found by selecting the products below. Crimp Height Specifications are then contained in the Application Tooling Specification document.

Global

Description	Product #
Hydraulic Crimp Dies	0190780135

MATERIAL NUMBER	DIM. A	"B"
191951031	ø.390/9.91	3/8
191951047	ø.515/13.08	1/2



- NOTES:
1. MATERIAL: COPPER ALLOY.
 2. FINISH: ELECTRO TIN PLATE.
THICKNESS=100MICRONS MINIMUM.
 3. PRODUCT SPECIFICATION: PS-19195-001.
 4. PART USED TO CONNECT COPPER OR ALUMINUM SINGLE MAGNET WIRE OR MULTIPLE WIRE COMBINATIONS.
 5. COMBINATIONS OF WIRES ARE EITHER MAGNET WIRE TO MAGNET WIRE OR MAGNET WIRE TO LEAD WIRE.

EC NO: ETC2003-0089 IDRWN: JPAWLICK 2002/09/27 CHKD: JPAWLICK 2002/09/27 APPR: RDEROSS 2002/09/27	QUALITY SYMBOLS ▽ = 0 ▽ = 0	GENERAL TOLERANCES (UNLESS SPECIFIED)		SCALE 1:1	DESIGN UNITS INCH	THIRD ANGLE PROJECTION	REVISE ON CAD ONLY		
		4 PLACES ± --- ± ---	3 PLACES ± --- ± ---	DIMENSION STYLE IN/MM		TITLE MAGKRIMP ROUND RING 165,000-230,000 CMA			
DESCRIPTION REV	2 PLACES ± --- ± .010	1 PLACE ± 0.25 ± ---	ANGULAR ± 2 °		DRAWN BY JHACKNEY	DATE 99/01/29	MATERIAL NO. SEE CHART		
	DRAFT WHERE APPLICABLE MUST REMAIN WITHIN DIMENSIONS		APPROVED BY RDEROSS		DATE 99/01/29	DOCUMENT NO. SD-19195-005		SHEET NO. 1 OF 1	
	THIS DRAWING CONTAINS INFORMATION THAT IS PROPRIETARY TO MOLEX INCORPORATED AND SHOULD NOT BE USED WITHOUT WRITTEN PERMISSION								