

PLEASE CHECK WWW.MOLEX.COM FOR LATEST PART INFORMATION

Part Number: [0855110001](#)
Status: **Active**
Overview: [modular_plugs_jacks](#)
Description: Modular Jack, Vertical, 8/8, Cat5

Documents:

[3D Model](#) [Product Specification PS-95003 \(PDF\)](#)
[Drawing \(PDF\)](#) [RoHS Certificate of Compliance \(PDF\)](#)
[Product Specification PS-85505 \(PDF\)](#)

Agency Certification

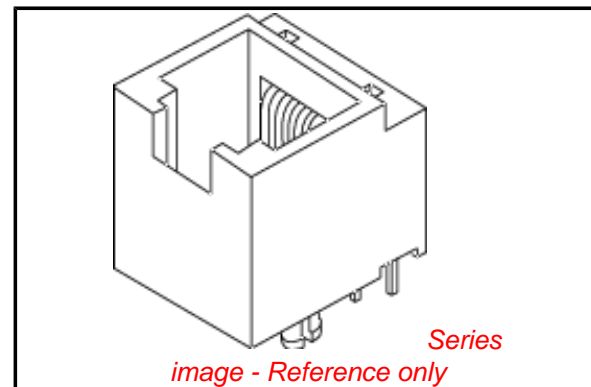
CSA LR19980
 UL E107635

General

Product Family Modular Jacks/Plugs
 Series [85511](#)
 Comments Small Panel Cutout|Snap Pegs
 Component Type PCB Jack
 Magnetic No
 Overview [modular_plugs_jacks](#)
 Performance Category 5
 Power over Ethernet (PoE) N/A
 Product Name RJ45

Physical

Color - Resin Black
 Durability (mating cycles max) 1,000
 Flammability 94V-0
 Inverted / Top Latch N/A
 Lightpipes/LEDs None
 Material - Metal Phosphor Bronze
 Material - Plating Mating Gold
 Material - Plating Termination Tin
 Material - Resin High Temperature Thermoplastic
 Orientation Vertical (Top Entry)
 PCB Locator Yes
 PCB Retention Yes
 PCB Thickness Recommended (in) 0.062 In
 PCB Thickness Recommended (mm) 1.60 mm
 Packaging Type Tray
 Pitch - Mating Interface (in) 0.050 In
 Pitch - Mating Interface (mm) 1.27 mm
 Pitch - Term. Interface (in) 0.050 In
 Pitch - Term. Interface (mm) 1.27 mm
 Plating min: Mating (µin) 50.8
 Plating min: Mating (µm) 1.27
 Plating min: Termination (µin) 76
 Plating min: Termination (µm) 1.9
 Ports 1
 Positions / Loaded Contacts 8/8
 Surface Mount Compatible (SMC) No
 Temperature Range - Operating -40°C to +80°C
 Termination Interface: Style Through Hole
 Wire/Cable Type N/A



EU RoHS

**ELV and RoHS
 Compliant**
**REACH SVHC
 Contains SVHC: No**
**Halogen-Free
 Status**

China RoHS



**Need more information on product
 environmental compliance?**

Email productcompliance@molex.com
 For a multiple part number RoHS Certificate of
 Compliance, [click here](#)

Please visit the [Contact Us](#) section for any
 non-product compliance questions.

Search Parts in this Series

[85511Series](#)

Mates With

FCC 68 Plugs

Electrical

Current - Maximum per Contact	1.5A
Shielded	No
Voltage - Maximum	125V

Solder Process Data

Duration at Max. Process Temperature (seconds)	45
Lead-free Process Capability	Wave Capable (TH only)
Max. Cycles at Max. Process Temperature	1
Process Temperature max. C	260

Material Info**Reference - Drawing Numbers**

Packaging Specification	PK-95003
Product Specification	PS-85505, PS-95003
Sales Drawing	SD-85511-001

This document was generated on 06/07/2010

PLEASE CHECK WWW.MOLEX.COM FOR LATEST PART INFORMATION

NOTES :

1- MATERIAL:

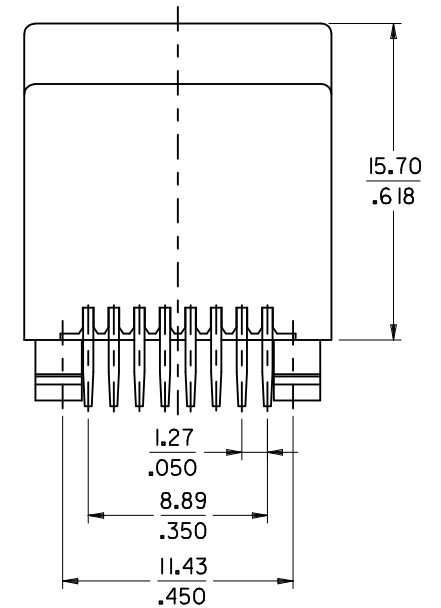
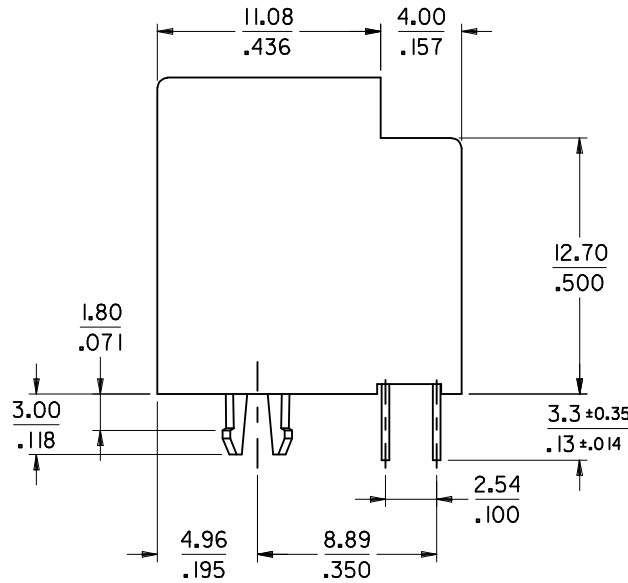
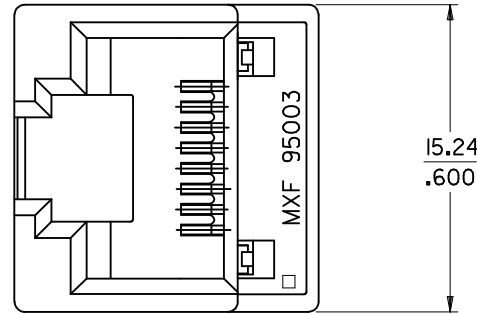
-HOUSING: POLYESTER FIBER GLASS FILLED UL 94-V0
COLOR BLACK.

-TERMINAL: PHOSPHOR BRONZE.

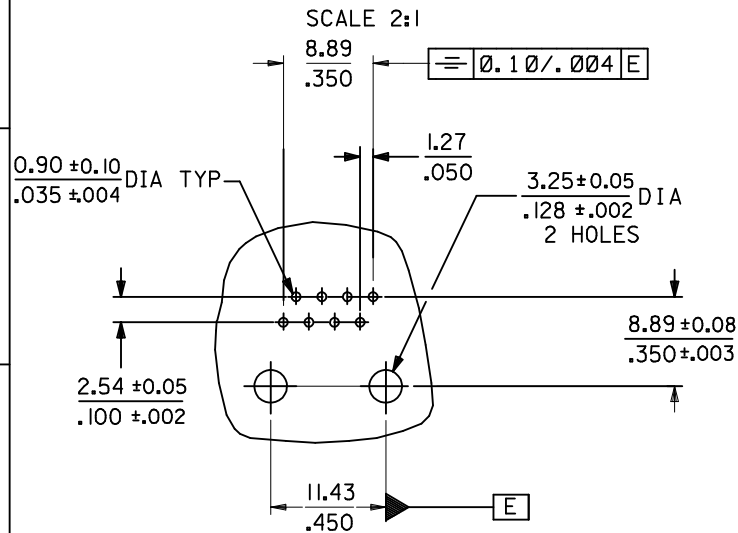
PLATING :

POST PLATE 0.00127-0.00152/.000050-.000060 GOLD IN
CONTACT AREA , 0.00190/.000075 MIN PURE TIN
IN TAIL AREA BOTH OVER 0.00127/.000050 MIN NICKEL
OVERALL.

- 2- JACK FOR MATING WITH F.C.C. 68 PLUGS (90075 MOLEX SERIES).
- 3- PRODUCT SPECIFICATION PS-95003 AND PS-85505 (SECTION 5.2).
- 4- APPLICATION SPECIFICATION AS-95001.
- 5- PACKAGING SPECIFICATION PK-95003 SHEET 1:
(TRAY PACKAGING).
- 6- EXCEEDS CATEGORY 5E PERFORMANCE.



P.C.B. MOUNTING PATTERN
(see from component side)



ENTER DESCRIPTION EC NO: MGZ005-0151 DRWN: CSEBASTI 2004/10/25 CHKD: FCARBET 2004/10/25 APPR: KNOLLER 2004/11/09	QUALITY SYMBOLS ▽=0 ∇=0	GENERAL TOLERANCES (UNLESS SPECIFIED)		DIMENSION STYLE MM/IN		SCALE 4:1	DESIGN UNITS METRIC	THIRD ANGLE PROJECTION		
		mm	INCH	DRAWN BY HB	DATE 99/08/18	TITLE HIGH SPEED MODULAR JACK TOP ENTRY LOW PROFILE THROUGH HOLE 8 CKTS				
REV B	DESCRIPTION	4 PLACES ± --- ± ---	3 PLACES ± --- ± .006	2 PLACES ± 0.15 ± .010	1 PLACE ± 0.25 ± ---	CHECKED BY ER	DATE 99/08/18	MOLEX INCORPORATED		
		ANGULAR ± 1/2°		APPROVED BY FB		DATE 99/08/18	DOCUMENT NO. SD-85511-001			
DRAFT WHERE APPLICABLE MUST REMAIN WITHIN DIMENSIONS		MATERIAL NO. 85511-0001		THIS DRAWING CONTAINS INFORMATION THAT IS PROPRIETARY TO MOLEX INCORPORATED AND SHOULD NOT BE USED WITHOUT WRITTEN PERMISSION						