

10/100 BASE-TX TRANSFORMER

P/N:16ST8517 DATA SHEET

Feature

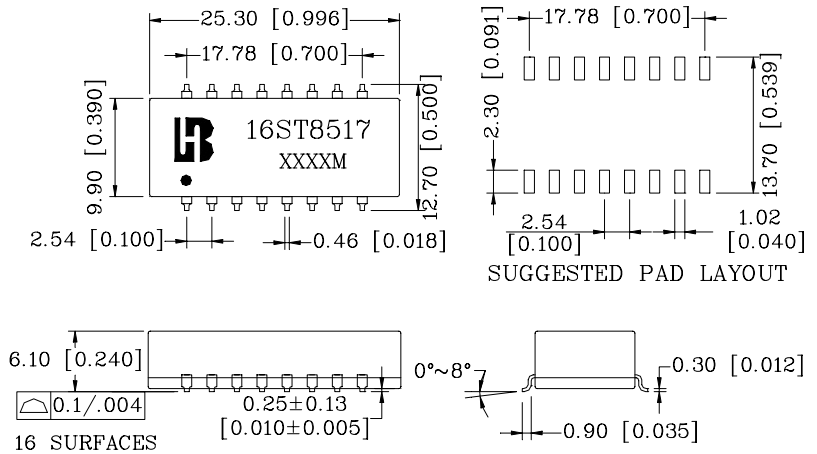
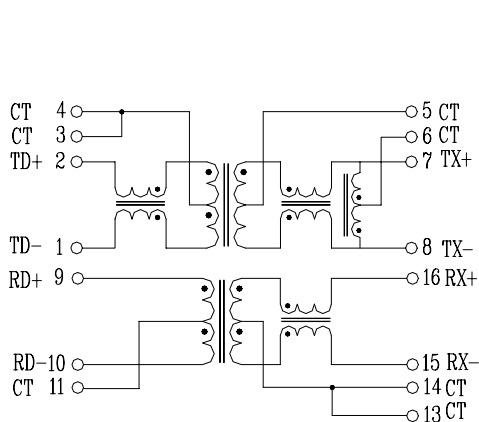


- Designed for 10 MB/s and 100MB/s and 155 MB/s transmission over UTP-5 and STP cable.
- Cable interface for isolation and low common mode emissions.
- Fully integrated modules for multi-port concentrators and adapter card applications.
- 16-PIN SMD Package, pick and place compatible.
- Operating Temperature range: 0°C to +70°C.
- Storage temperature range: -25°C to +125°C.

Electrical Specifications @ 25°C											
Part Number	Turns Ratio		OCL 100KHz/0.1Vrms with 8mA/DC Bias (µH Min) TX&RX				C _{ww} (pF Max) TX&RX	L.L (uH Max) TX&RX	Rise Time 10-90% (nS TYP)	HI-POT (Vrms)	
	TX	RX									
16ST8517	1CT:1CT	1CT:1CT	350				28	0.6	2.5	1500	
Continue											
Part Number	Insertion Loss (dB Max)	Return Loss (dB Min)					Cross talk (dB Min)		DCMR TX/RX(dB Min)		
	0.3 - 100 MHz	30MHz	40MHz	50MHz	60MHz	80MHz	0.3-60MHz	60-100MHz	30MHz	60MHz	100MHz
16ST8517	-1.15	-16	-14	-13.5	-13	-12	-45	-35	-42/-42	-38/-36	-35/-32

Schematic

Mechanical



Units: mm [Inches] Tolerances: xx.x0±0.25 [0.010]
0.xx±0.05 [0.002]