

PLEASE CHECK WWW.MOLEX.COM FOR LATEST PART INFORMATION

Part Number: [0355150311](#)
Status: **Active**
Description: 2.28mm (.090") Tab Housing for Fuel Pump Flange, Female, Sealed, 6.20mm (.244") Pitch, 3 Circuits

Documents:

[Drawing \(PDF\)](#) [RoHS Certificate of Compliance \(PDF\)](#)
[Product Specification PS-35365-001 \(PDF\)](#)

General

Product Family	Crimp Housings
Series	35515
Product Name	N/A

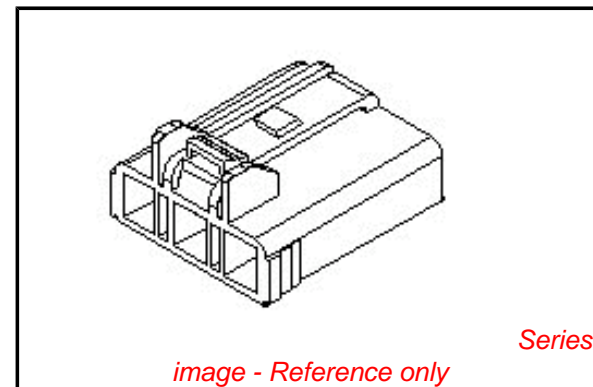
Physical

Circuits (maximum)	3
Gender	Female
Glow-Wire Compliant	No
Number of Rows	1
Packaging Type	Bag
Panel Mount	No
Pitch - Mating Interface (in)	0.244 In
Pitch - Mating Interface (mm)	6.20 mm
Stackable	No
Temperature Range - Operating	-40°C to +120°C

Material Info

Reference - Drawing Numbers

Product Specification	PS-35365-001
Sales Drawing	SD-35515-001



EU RoHS

**ELV and RoHS
Compliant**
**REACH SVHC
Not Reviewed**
**Halogen-Free
Status
Not Reviewed**

China RoHS



**Need more information on product
environmental compliance?**

Email productcompliance@molex.com
 For a multiple part number RoHS Certificate of Compliance, [click here](#)

Please visit the [Contact Us](#) section for any non-product compliance questions.

Search Parts in this Series

[35515Series](#)

Mates With

[35365](#)

Use With

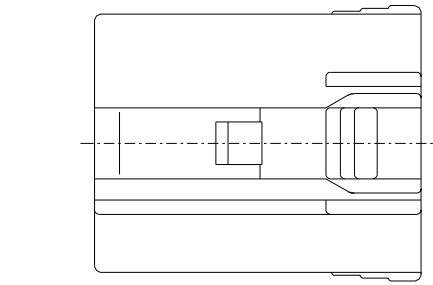
[35407](#)

PLEASE CHECK WWW.MOLEX.COM FOR LATEST PART INFORMATION

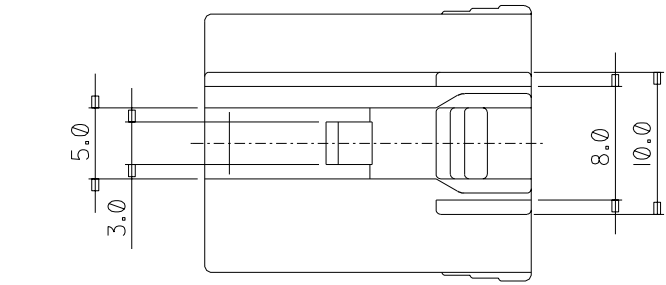
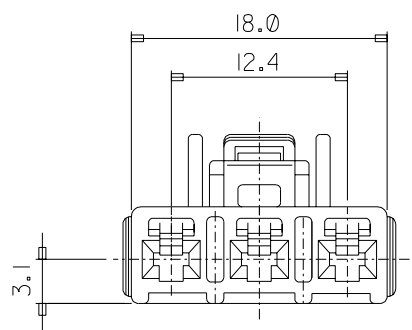
DO NOT SCALE DRAWING
DIMENSION IN METRIC

PROJECT NO.
SIMILAR ITEM

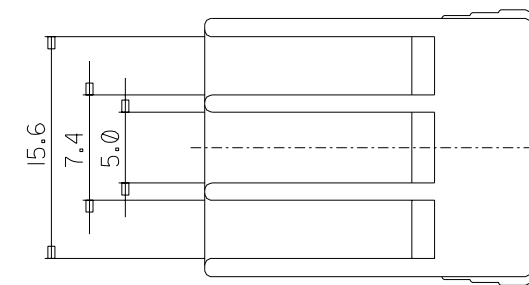
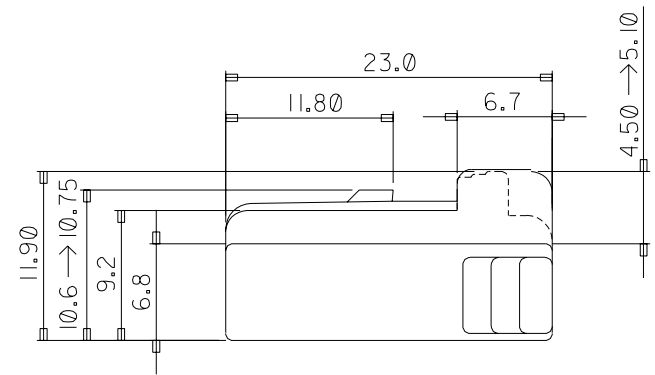
DWG. NO.
SD-35515-03*1



TYPE "A"



TYPE "B"



NO	MATERIAL NO.	PART NO.	PART NAME	REMARK	COLOR
1	355150301	35515-0301	3P FEMALE HOUSING-LH	TYPE "A"	NATURAL
2	355150311	35515-0311	3P FEMALE HOUSING-RH	TYPE "B"	BLACK

NOTES

1. DIMENSIONS GIVEN ACROSS CENTLINES ARE WITHIN HALF THE TOTAL DIMENSIONS.
2. MATERIAL: HOUSING-POLYESTER (PBT),UL94-HB COLOR:NATURAL
3. APPLICABLE FEMALE TERMINAL NO:35407-6102,35407-6202

CHANGED DIM'S EC NO. K092002-009 DRAWN B.C.YOON '02.05.09 CHK: Y.SIK KIM APPR: C.W.LEE	QUALITY SYMBOLS MAJOR CRITICAL	GENERAL TOLERANCES: (UNLESS SPECIFIED)		SCALE 4/1	DESIGN UNITS <input checked="" type="checkbox"/> mm <input type="checkbox"/> INCH	DIMENSIONS: <input type="checkbox"/> mm <input type="checkbox"/> INCH <input checked="" type="checkbox"/> mm ONLY		SHT	REV
		4 PLACES ±0.	3 PLACES ±0.	2 PLACES ±0.	1 PLACE ±0.3	THIRD ANGLE PROJECTION		1	
REV	DESCRIPTION	DRAWN BY & DATE Y.SIK KIM 98/03/10		CHECKED BY & DATE B.K. CHOI 98/03/12		TITLE: SFPF FEMALE HSG 3P			
		APPROVED BY & DATE C.W.LEE 98/03/12		CAD FILENAME SD35515.DGN		MATERIAL NO. SEE CHART		DRAWING NO. SD-35515-001	SHEET NO. 1/1
DRAFT WHERE APPLICABLE MUST REMAIN WITHIN DIMENSIONS		THIS DRAWING CONTAINS INFORMATION THAT IS PROPRIETARY TO MOLEX INCORPORATED AND SHOULD NOT BE USED WITHOUT WRITTEN PERMISSION.						SIZE D	