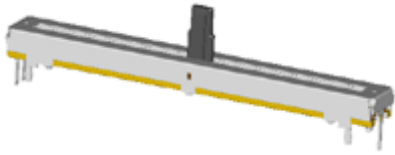


Model(型號): **ROTARY POTENTIOMETER-----S[X][X]811H[X]1**

► Download PDF file



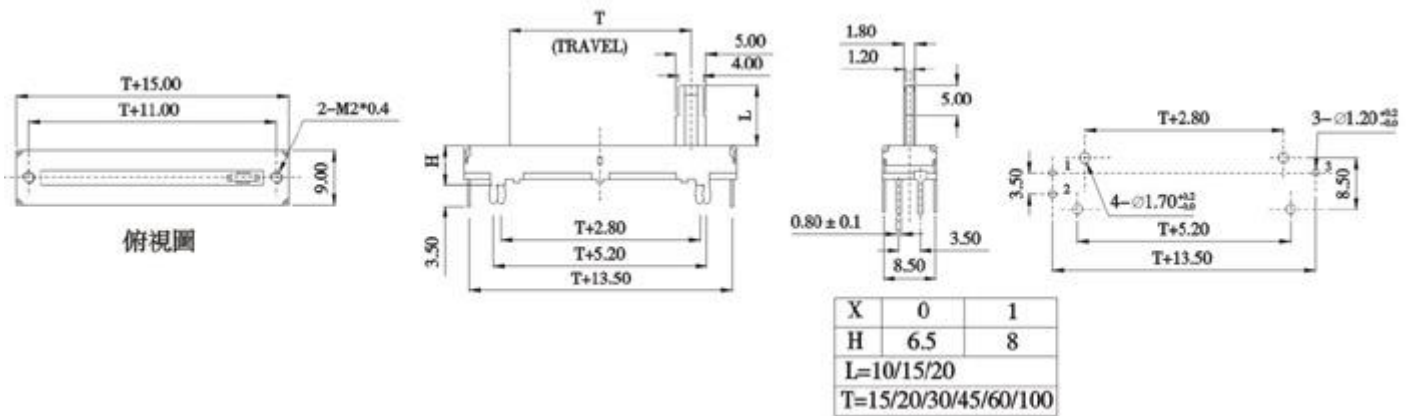
**Features:(特點):**

Excellent operational feeling;Clear click feeling for heat controllers Smooth and wet slide feeling for electronic musical instruments Low noise ,long operational life ,highly accurate attenuation

**Applications(作用):**

Fade control for popular type audio mixers, musical keyboards  
Heat control or mose switching for car air conditioners  
Measurement instruments

**Dimensions(規格圖):**



**Specifications(規格)**

**Electrical Characteristics [ 電氣性能 ]**

Total resistance [ 全阻抗值 ]	100Ω ~1MΩ
Total resistance tolerance [ 全阻抗值容許差 ]	±20%
Ratings power(w) [ 額定功率 ]	Travel 60mm B Single 0.5W,Dual 0.25W Except B single 0.25W,Dual 0.125W
Resistance taper [ 阻抗變化特性 ]	A,B,*C,D,W
Residual resistance(1-2/2-3) [ 殘留阻值]	Ra<=1KΩ
	10KΩ<Ra<=100KΩ
	100KΩ<Ra<=500KΩ
Sliding noise [ 滑動雜音]	100mV Max
Insulation resistance [ 絕緣阻抗]	10MΩ Min. at DC 250V.
Withstanding voltage [ 耐電壓]	1 minute at AC 300V
Max. operating voltage [ 最高使用電壓]	B Single 500V, Except B Single 350V
Cang error:[運動誤差]	Volume[音量] -40dB ~0dB±3dB Max
	Tone [音質] ±3dB Max. at 50% position.

**Mechanical Characteristics [ 機械性能 ]**

Operation torque [ 滑動力矩 ]	30~250gf.cm
Stopper strength[ 止動強度]	5.0Kgf
Click slip out torque[ 掣子脫出力矩]	40~350gf.cm
Lever wobble[ 推柄搖晃]	2(2×L)/20mm Max. L=length of level
Position of click[ 推拉強度]	1C,7C,11C
Lever push-pull strength[ 推拉強度]	5.0Kgf. cm Max. at 5 sec.

**Endurance Characteristics [ 耐久性能 ]**

Rotational life [ 回轉壽命 ]	More than 15,000 cycles
--------------------------	-------------------------