

## Solution Products



TISP7015L1



B1250T

## Objective

T1 and E1 are common telephony interfaces. This solution provides protection against surge and power contact.

## Solution

2 Thyristors: TISP7015L1  
2 Fuses: B1250T

## Compliance

ITU-T K.45 Basic  
ITU-T K.21 Basic

## Alternate Recommendations

*Other PortNote™ Solutions:*

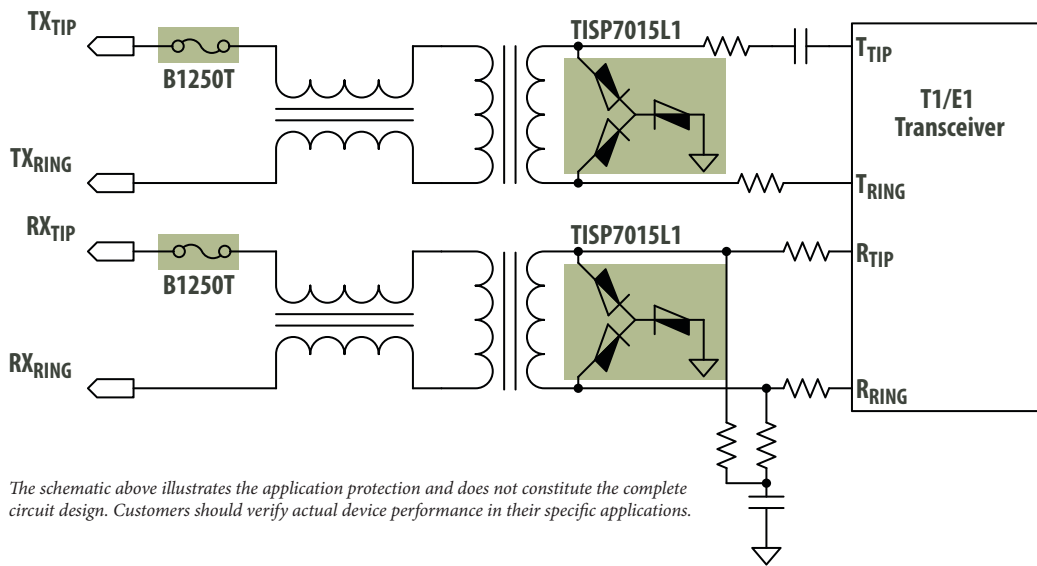
- T1/E1: GR-1089-CORE

*Specific solutions for ITU-T K.20 and IEC 61000-4-5 are also available.*

*Contact your local Bourns technical resource.*

## Benefit

This solution provides protection without impairing the signal.



*The schematic above illustrates the application protection and does not constitute the complete circuit design. Customers should verify actual device performance in their specific applications.*

## Design Kit



PN-DESIGNKIT 13

**BOURNS®**

**Americas:** Tel +1-951 781-5500  
Fax +1-951 781-5700

**Europe:** Tel +41-(0)41 768 55 55  
Fax +41-(0)41 768 55 10

**Asia-Pacific:** Tel +886-2 256 241 17  
Fax +886-2 256 241 16

Bourns® PortNote™ solutions provide protection recommendations for typical port threats.

For more information, go to:

[www.bourns.com](http://www.bourns.com)

or email: [protection@bourns.com](mailto:protection@bourns.com)