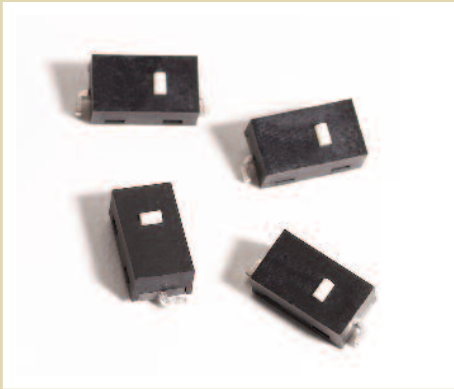


# SERIES TS2 SWITCHES



## SMT SNAP ACTION SWITCH



### MECHANICAL SPECIFICATIONS

Mechanical Life:	3,000,000 cycles
Force:	70 ± 20 gf

### ELECTRICAL SPECIFICATIONS

Contact Rating:	0.1A @125 VAC or 48 VDC
Contact Resistance (Initial Max.):	300 mOhms @ 5VDC
Insulation Resistance:	100 MOhms min @500VDC
Dielectric Strength (1 Min.):	1,000V
Bounce:	5m Second Max

### FEATURES & BENEFITS

- Surface mount termination
- Subminiature package size
- Designed for higher reliability applications

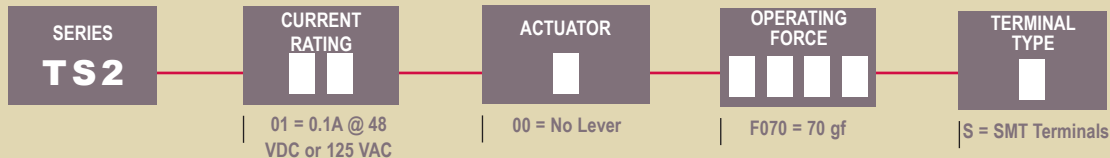
### APPLICATIONS / MARKETS

- Appliance
- Timing controls
- Testing/instrumentation
- Gaming and vending machines

### ENVIRONMENTAL SPECIFICATIONS

Operating Temperature:	-25°C to +85°C
------------------------	----------------

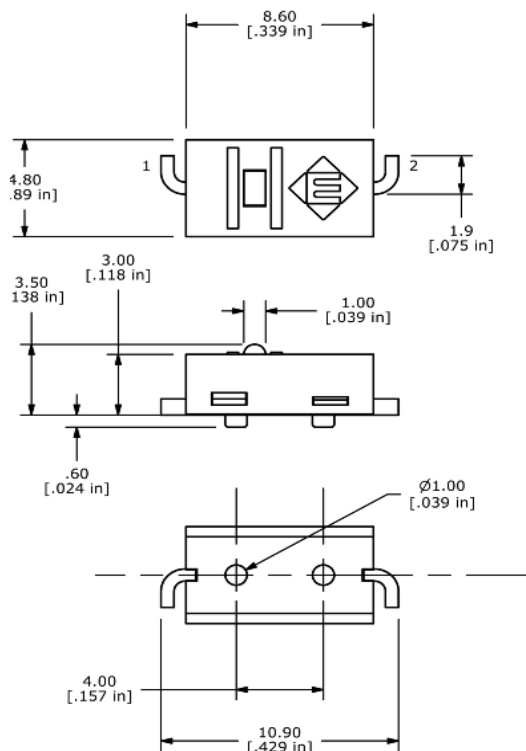
### HOW TO ORDER



### Example Ordering Number

**TS20 100F070S**

Specifications subject to change without notice.



ACTUATOR AND OPERATING FORCE CHART			
Actuator	Operating Force	Pre-Travel (P.T.)	Operating Point (O.P.)
00	070	3.3 +/- 0.3mm	0.2 +/- 0.1mm

