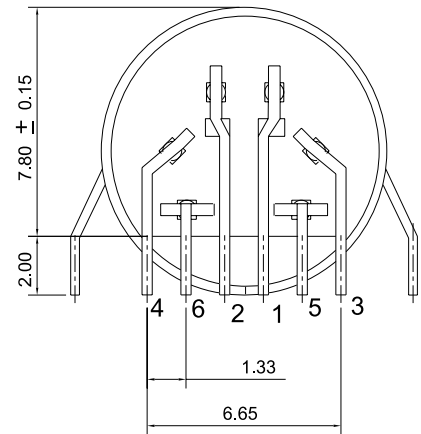
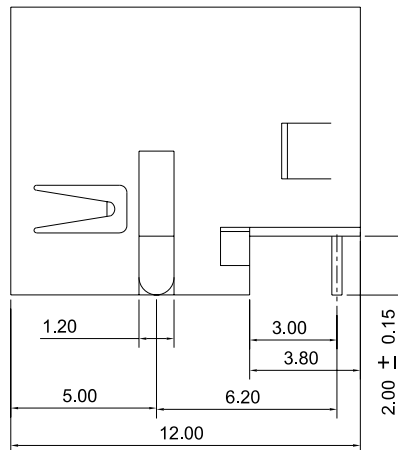
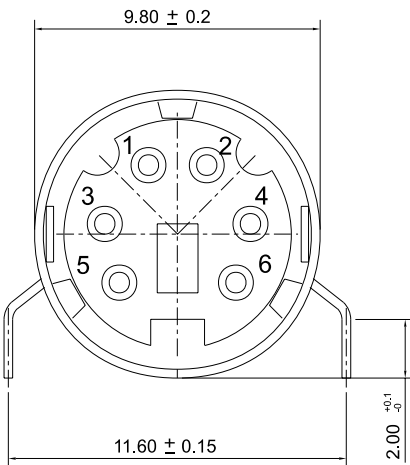


030101FR Series

Mates with standard plug

Specifications:

- **06 Circuits**
- **Insulator Material** : Black High Temp. Plastic
- **Operating Temp. Range** : -40°C to +105°C
- **Terminal Material** : Phosphor Bronze
- **Plating** : Selective Plated(Tin)
: Metal shell- Tin Plated
- **Max. Current Rating** : 1.5A
- **Voltage Rating** : 100V AC
- **Dielectric Strength** : 500V (Min. 60 Seconds)



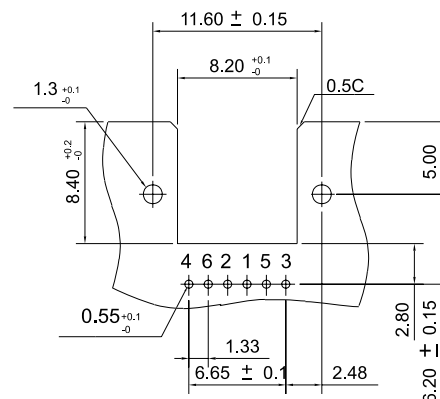
I/O

Order Information

030101FR006T101ZU
1 2 3 4 5

1. 'R' : Right Angle Dip Type
 2. No. of Pins
 3. Plating
'T1' : Indicate Tin Plated
(Min > 100u" Tin)
 4. Color 'Z' : Black
 5. Package
'U' : Tube Package not Cap
- Reference Page 11

Recommended P.C.B Layout



* Available for PC99 system