

TITLE

TRANSFORMER,

SCHOTT

CORPORATION

1000 PARKERS LAKE ROAD
WAYZATA, MN 55391

AGENCY APPROVAL:

N/A

PART NUMBER

22632

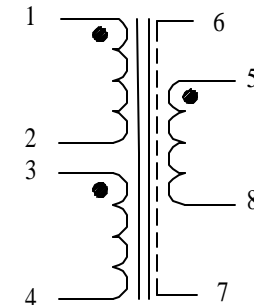
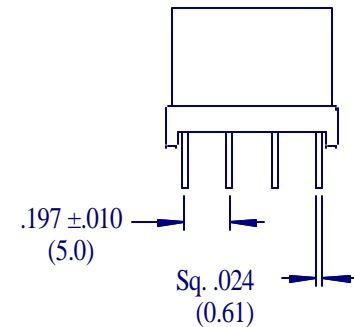
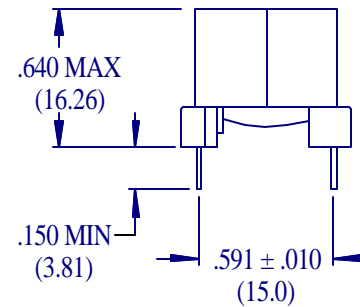
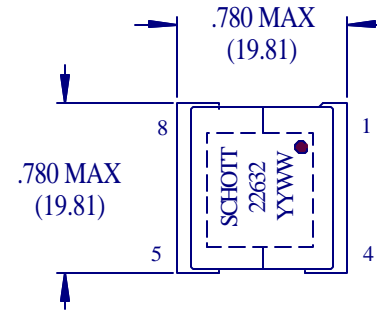
REV D

PAGE 1 END

OLD P/N 67137860

SPECIFICATIONS

1. TEMP CLASS 105° C
2. INDUCTANCE: @ 10 KHz, 0.1 V, (5-8) = 3 mHy ± 3 %
3. LEAKAGE INDUCTANCE: (5-8) @ 100 KHz
(1-2-3-4) SHORTED < 30 μHy
4. INTERWINDING CAPACITANCE: @ 100 KHz
(5-8) TO (1-2-3-4) < 100 pF
5. DC RESISTANCE: (5-8) = 3.20 OHMS ± 10 %
(1-2), (3-4) = 1.25 OHMS ± 10 %
6. TURNS RATIO: (1-2) : (3-4) : (5-8)
= 1 : 1 : 2 ± 2 %
7. RETURN LOSS: (1-2-3-4), 135 OHM REF,
128 OHM + 750 pF LOAD ON (5-8)
@ 5 KHz - 2 MHz > 4 dB
@ 25 KHz > 16 dB
@ 100 - 400 KHz > 22 dB
8. LONGITUDINAL BALANCE: (1-2-3-4) @ 135 OHM
200 KHz > 53 dB
9. HARMONIC DISTORTION: 135 OHM, 200 KHz, 160 mA DC,
5Vp-p > -70 dB (DO NOT NEED TO TEST IN PRODUCTION)
10. DIELECTRIC STRENGTH: 2500 VAC (1-2-3-4) TO (5-8)
11. INSULATION RESISTANCE: @ 500 VDC > 500 MEGOHM
12. Designed for use with Brooktree 8920/8952



GROUND ONLY
ONE END OF SHIELD

inches
(mm)

TOLERANCES UNLESS OTHERWISE NOTED	2 PLACE	3 PLACE	ANGLE
	± .01	± .005	± °