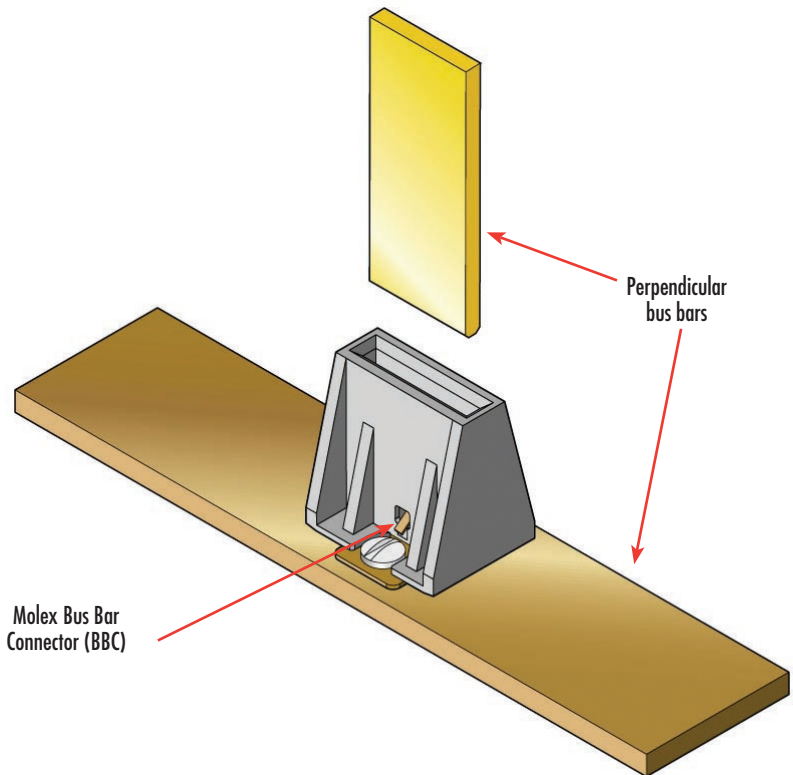


Hot-Pluggable, High-Current Bus Bar Connector (BBC) Provides An Easy Blind-Mate Connection

New telecommunication and high-end computing equipment require increasing amounts of current from power supplies. To meet this challenge, Molex is pleased to expand its product offering of high-current connector solutions with the BBC.

The BBC is a compact, high current connector for direct mating of two perpendicular power bus bars in a power supply or switching power supply application. Rated up to 320.0A, the BBC offers over 20% more current than competing products. The higher current provides increased power or safety factor for customer applications. The high performance, contact design offers true hot pluggability. The parallel contacts free-float within the BBC housing to facilitate blind mating with the bus bar tab.

The BBC's mounting dimensions are identical to competing connectors for easy second sourcing opportunities.



Features and Benefits

- Top entry of the connector mates with a standard 25.40mm (1.000") wide by 3.18mm (.125") thick bus bar tab which facilitates mating with de facto output blades for typical power supply applications
- Rated up to 320.0A for high-current applications
- Isolated left and right contacts provide option for power feed and return when BBC is mounted to a laminated bus bar
- Rated for current interruption (Safety agency approvals pending) to match true hot-plugging requirements
- Low-voltage drop for minimal heat generation
- Float-mount design provides up to 6° of misalignment to blind-mate with bus bar tab
- Mounts to a bus bar via two, 4.32mm (.170") diameter holes using customer supplied (8"x32" thread) machine screws providing screw-mount design for secure fastening to bus bar
- Dimensionally compatible with competitive connectors assures drop-in replacement for second source opportunities

SPECIFICATIONS

Reference Information

Packaging: Bag
 UL File No.: Pending
 CSA File No.: LR 19980
 TUV File No.: Pending
 Mates With: 25.40mm (1.000") x 3.18mm (.125")
 Thick Bus Bar Tab
 Designed In: Inches

Electrical

Voltage: 600V
 Current: 320.0A max. per contact set
 Contact Resistance: 20 milliohms max.
 Insulation Resistance: 5000 Megohms min.

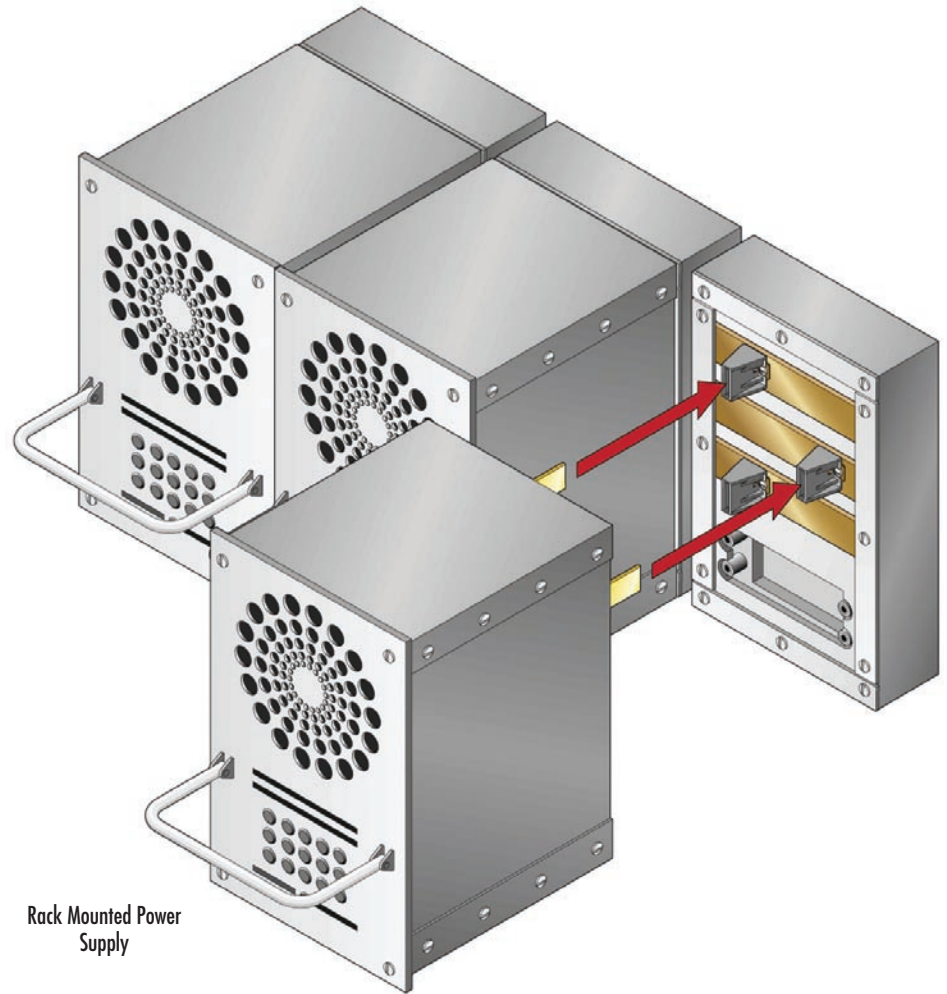
Mechanical

Mating Force: 66.72N (14.99 lbf)
 Unmating Force: 22.24N (4.99 lbf)
 Durability: 50 mating cycles

Physical

Housing: Glass Filled Polyester, UL 94V-0
 Contact: Copper (Cu) Alloy
 Plating:
 Contact Area — Select Gold (Au)
 Screw Hole Area — Tin (Sn)
 Underplating — Nickel (Ni)
 Operating Temperature: -40 to +105°C

- Bus bar power distribution
- Power racks
- Rack-mounted power supplies
- Telecommunication equipment
 - Networking hubs, switches and routers
- High and mid-range computing
 - Servers
 - Data storage
 - Power supplies
- Cellular communications
 - Base stations



Rack Mounted Power Supply

ORDERING INFORMATION

Order No.	Orientation
45711-1000	Vertical

Americas Headquarters
 Lisle, Illinois 60532 U.S.A.
 1-800-78MOLEX
 amerinfo@molex.com

Far East North Headquarters
 Yamato, Kanagawa, Japan
 81-462-65-2324
 feninfo@molex.com

Far East South Headquarters
 Jurong, Singapore
 65-6-268-6868
 fesinfo@molex.com

European Headquarters
 Munich, Germany
 49-89-413092-0
 eurinfo@molex.com

Corporate Headquarters
 2222 Wellington Ct.
 Lisle, IL 60532 U.S.A.
 630-969-4550
 Fax: 630-969-1352

Visit our website at www.molex.com/product/busbarconn.html