

**PLEASE CHECK WWW.MOLEX.COM FOR LATEST PART INFORMATION**

**Part Number:** [0399700105](#)  
**Status:** **Active**  
**Description:** 10.16mm (.400") Beau™ Eurostyle™ Fixed Mount PCB Terminal Block, High Power 60A, 5 Circuits

**Documents:**

[3D Model](#)  
[Drawing \(PDF\)](#)

[RoHS Certificate of Compliance \(PDF\)](#)

**Agency Certification**

UL E48521

**General**

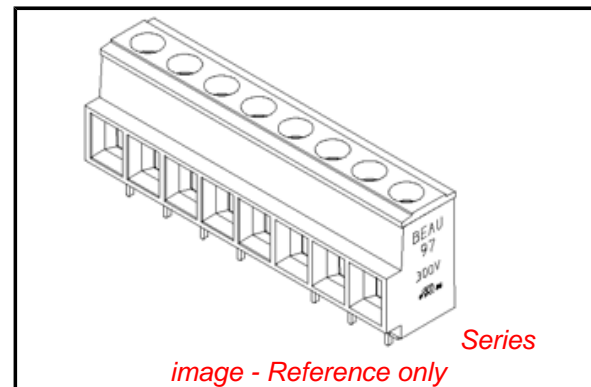
Product Family	Terminal Blocks
Series	<a href="#">39970</a>
Application	Wire-to-Board
Component Type	One Piece
Product Name	Eurostyle™ Fixed Mount
Type	Euro Block

**Physical**

Circuits (Loaded)	5
Circuits (maximum)	5
Color - Resin	Black
Entry Angle	Horizontal
Flammability	94V-0
Lock to Mating Part	None
Material - Metal	Copper
Material - Plating Mating	Tin
Material - Plating Termination	Tin
Material - Resin	Polyester
Number of Rows	1
Orientation	Vertical
PC Tail Length (in)	0.160 In
PC Tail Length (mm)	4.06 mm
PCB Retention	None
Panel Mount	No
Pitch - Mating Interface (in)	0.400 In
Pitch - Mating Interface (mm)	10.16 mm
Pitch - Term. Interface (in)	0.400 In
Pitch - Term. Interface (mm)	10.16 mm
Plating min: Mating (µin)	150
Plating min: Mating (µm)	3.8
Plating min: Termination (µin)	150
Plating min: Termination (µm)	3.8
Polarized to Mating Part	N/A
Shrouded	Fully
Stackable	No
Surface Mount Compatible (SMC)	No
Temperature Range - Operating	130°C
Termination Interface: Style	Through Hole
Wire Size AWG	10, 12, 14, 16, 18, 8
Wire Size mm²	0.75 - 10.0

**Electrical**

Current - Maximum per Contact 60A



**EU RoHS**

**ELV and RoHS  
Compliant**  
**REACH SVHC**  
 Not Reviewed  
**Halogen-Free  
Status**  
 Not Reviewed

**China RoHS**



**Need more information on product  
environmental compliance?**

Email [productcompliance@molex.com](mailto:productcompliance@molex.com)  
 For a multiple part number RoHS Certificate of  
 Compliance, [click here](#)

Please visit the [Contact Us](#) section for any  
 non-product compliance questions.

**Search Parts in this Series**

[39970Series](#)

**Mates With**

N/A

Voltage - Maximum

300V

**Solder Process Data**

Lead-free Process Capability

Wave Capable (TH only)

**Material Info**

Old Part Number

970505

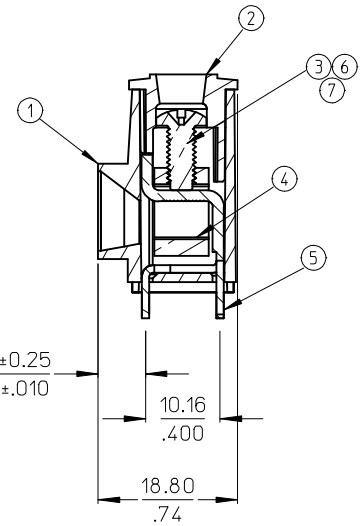
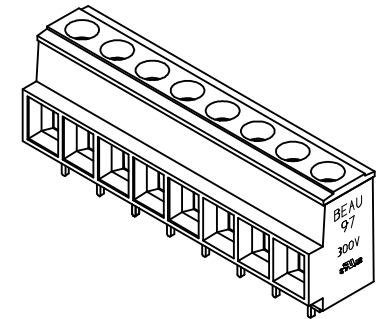
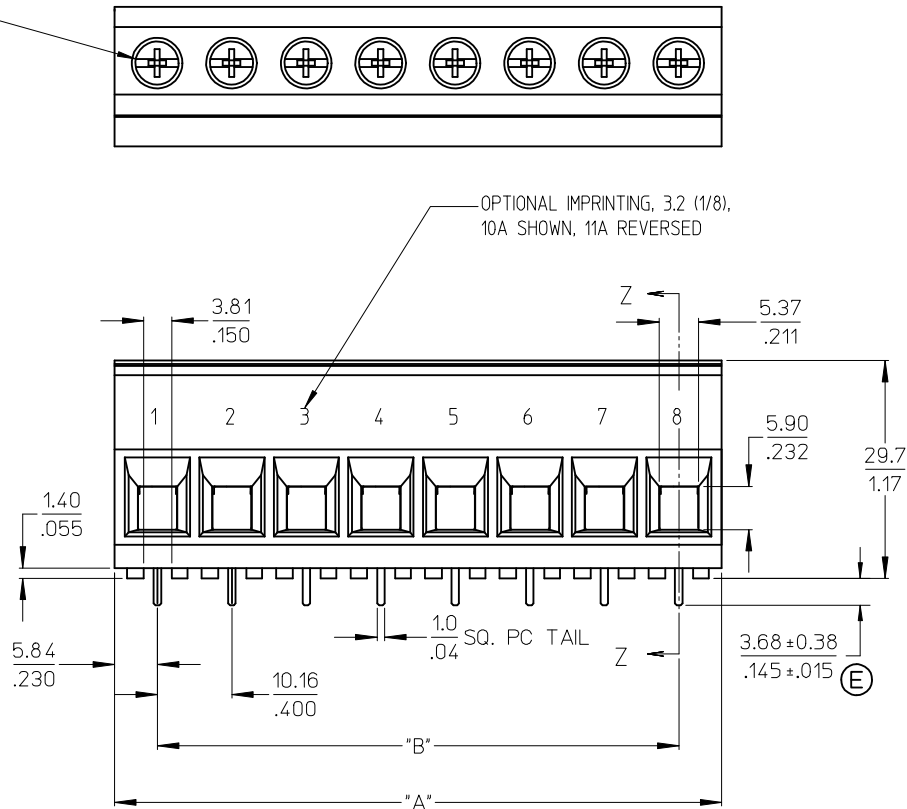
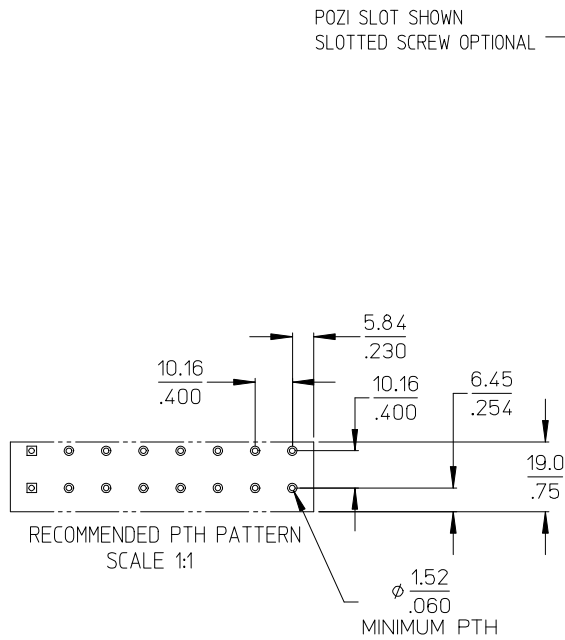
**Reference - Drawing Numbers**

Sales Drawing

SD-39970-003

This document was generated on 04/27/2010

**PLEASE CHECK [WWW.MOLEX.COM](http://WWW.MOLEX.COM) FOR LATEST PART INFORMATION**



NOTES:

1. MATERIAL: SEE TABLE.
2. FINISHES: SEE TABLE.
3. PRODUCT SPECIFICATION: NOT REQUIRED.
4. PACKAGING: NOT REQUIRED.
5. MATES WITH: NONE.
6. ALL FEATURES ARE TYPICAL UNLESS OTHERWISE NOTED.
7. PART IS DESIGNED TO MEET UL 1059 CLASS C 300V, 60A.
8. "XX" REFERS TO NUMBER OF CIRCUITS.
9. FOR OPTIONAL IMPRINTING REFER TO SD-38120-005
10. ASSEMBLY IS ROHS COMPLIANT.

7	XX	SCREW, M4 X .07 POZI-SLOT (-56 OPT)	ST. STEEL	TIN PLATE
6	XX	SCREW, M4 X 0.7 SLOTTED	BRONZE	TIN PLATE
5	XX	TERMINAL	COPPER	TIN PLATE
4	XX	CAGE	BRASS	NICKEL PLATE
3	XX	SCREW, M4 X .07 POZI-SLOT	BRONZE	TIN PLATE
2	1	COVER	POLYESTER (PBT)	BLACK
1	1	BODY	POLYESTER (PBT)	BLACK

UPDATE TERM. HEIGHT DIM.  
 EC NO: WNA2009-0445  
 DRAWN: JENCINAS 2009/07/07  
 CHKD: CYORK 2009/07/02  
 APPR: JMAGNELL 2009/07/02

QUALITY SYMBOLS  
 ▽=0  
 ▽=0

GENERAL TOLERANCES (UNLESS SPECIFIED)  
 4 PLACES ± --- ± ---  
 3 PLACES ± --- ± .005  
 2 PLACES ± 0.13 ± .01  
 1 PLACE ± 0.3 ± ---  
 ANGULAR ± 2 °  
 DRAFT WHERE APPLICABLE MUST REMAIN WITHIN DIMENSIONS

DIMENSION STYLE MM/IN  
 DRAWN BY R. STONE DATE 2002/09/13  
 CHECKED BY DATE  
 R. KEMP 2002/09/13  
 APPROVED BY L. ROTHHAUS DATE 2002/09/27  
 MATERIAL NO.

SCALE 3:2  
 DESIGN UNITS INCH  
 THIRD ANGLE PROJECTION  
 TITLE 10.16MM/.400 SINGLE ROW BTS ASSY, 6 AWG, 300V 60A  
 MOLEX INCORPORATED  
 DOCUMENT NO. SD-39970-003  
 SHEET NO. 1 OF 2  
 THIS DRAWING CONTAINS INFORMATION THAT IS PROPRIETARY TO MOLEX INCORPORATED AND SHOULD NOT BE USED WITHOUT WRITTEN PERMISSION

STD MATERIAL NUMBER	OPTIONAL 10A IMPRINT	OPTIONAL 11A IMPRINT	OPTIONAL SS SCREW (OPT. -56)	OPTIONAL SLOTTED SCREW	OPTIONAL SLOTTED SCREW W/10A IMPRINT	OPTIONAL SLOTTED SCREW W/11A IMPRINT	NUMBER OF CIRCUITS	"A" DIM.	"B" DIM.
399700102	399720102	399730102	399700602	399700402	399720402	399730402	2	21.84 [.86]	10.16 [.400]
399700103	399720103	399730103	399700603	399700403	399720403	399730403	3	32.00 [1.26]	20.32 [.800]
399700104	399720104	399730104	399700604	399700404	399720404	399730404	4	42.16 [1.66]	30.48 [1.200]
399700105	399720105	399730105	399700605	399700405	399720405	399730405	5	52.32 [2.06]	40.64 [1.600]
399700106	399720106	399730106	399700606	399700406	399720406	399730406	6	62.48 [2.46]	50.80 [2.000]
399700107	399720107	399730107	399700607	399700407	399720407	399730407	7	72.64 [2.86]	60.96 [2.400]
399700108	399720108	399730108	399700608	399700408	399720408	399730408	8	82.80 [3.26]	71.12 [2.800]
399700109	399720109	399730109	399700609	399700409	399720409	399730409	9	92.96 [3.66]	81.28 [3.200]
399700110	399720110	399730110	399700610	399700410	399720410	399730410	10	103.12 [4.06]	91.44 [3.600]
399700111	399720111	399730111	399700611	399700411	399720411	399730411	11	113.28 [4.46]	101.60 [4.000]
399700112	399720112	399730112	399700612	399700412	399720412	399730412	12	123.44 [4.86]	111.76 [4.400]
399700113	399720113	399730113	399700613	399700413	399720413	399730413	13	133.60 [5.26]	121.92 [4.800]
399700114	399720114	399730114	399700614	399700414	399720414	399730414	14	143.76 [5.66]	132.08 [5.200]

SEE SHEET ONE EC NO: WNA2009-0445 DRAWN: JENC INAS 2009/07/01 CHKD: CYORK 2009/07/02 APPR: JMACNE IL 2009/07/02	QUALITY SYMBOLS	GENERAL TOLERANCES (UNLESS SPECIFIED)	DIMENSION STYLE	SCALE	DESIGN UNITS	THIRD ANGLE PROJECTION
	▽=0 ▽=0	mm	MM/IN	3:2	INCH	10.16MM/.400 SINGLE ROW BTS ASSY, 6 AWG, 300V 60A MOLEX INCORPORATED
		INCH				
		4 PLACES ± --- ± ---	DRAWN BY DATE	TITLE		
		3 PLACES ± --- ± .005	R. STONE 2002/09/13	10.16MM/.400 SINGLE ROW		
2 PLACES ± 0.13 ± .01	CHECKED BY DATE	BTS ASSY, 6 AWG,				
1 PLACE ± 0.3 ± ---	R. KEMP 2002/09/13	300V 60A				
ANGULAR ± 2 °	APPROVED BY DATE	MOLEX INCORPORATED				
	L. ROTHMAUS 2002/09/27	DOCUMENT NO.				
	MATERIAL NO.	SD-39970-003				
	SEE CHART	SHEET NO.				
	SIZE B	2 OF 2				
	THIS DRAWING CONTAINS INFORMATION THAT IS PROPRIETARY TO MOLEX INCORPORATED AND SHOULD NOT BE USED WITHOUT WRITTEN PERMISSION					