

STRUCTURE	Silicon monolithic integrated circuits
PRODUCT SERIES	Stepping motor driver
TYPE	BD6395FP
FUNCTION	<ul style="list-style-type: none"> • PWM constant current controllable two H bridge driver • Full, Half, Quarter step • Parallel IN control

○Absolute maximum ratings(Ta=25°C)

Item	Symbol	Limit	Unit
Supply voltage	V _{CC1,2}	-0.2~+36.0	V
Power dissipation	Pd	1.45 ^{※1}	W
		3.47 ^{※2}	W
Input voltage for control pin	V _{IN}	-0.2~+5.5	V
Maximum input voltage for RNF	V _{RNF}	0.5	V
Maximum output current	I _{OUT}	1.5 ^{※3}	A/phase
Operating temperature range	T _{opr}	-25~+75	°C
Storage temperature range	T _{stg}	-55~+150	°C
Junction temperature	T _{jmax}	+150	°C

※¹ glass epoxy board. Derating in done at 11.6mW/°C for operating above Ta=25°C.

※² Recommended 4 layers board. Derating in done at 27.8mW/°C or operating above Ta=25°C.

※³ Do not, however exceed Pd, ASO and T_{jmax}=150°C.

○Operating conditions (Ta=-25~+75°C)

Item	Symbol	Min	Typ	Max	Unit
Supply voltage	V _{CC1,2}	16	24	28	V
Output current	I _{OUT}	-	1.0	1.2 ^{※4}	A/phase

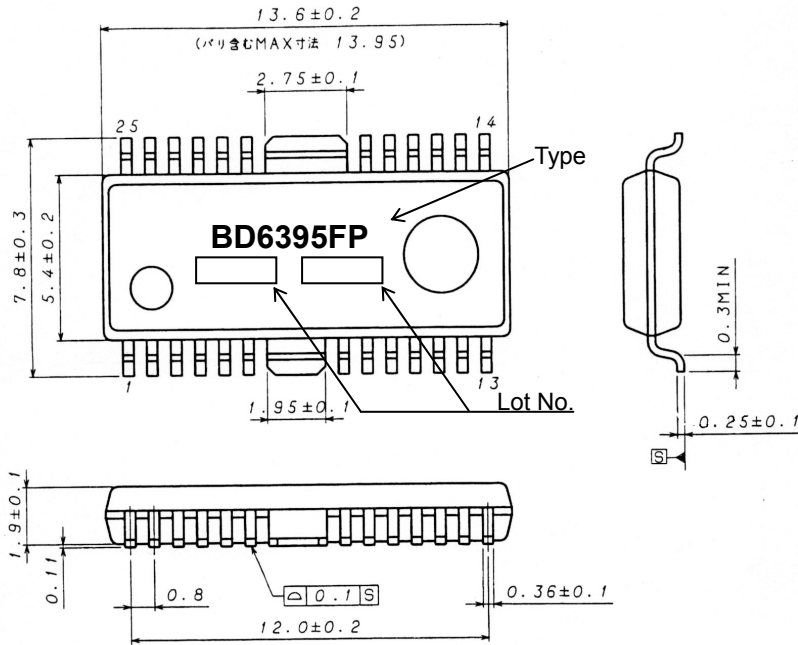
※⁴ Do not, however exceed Pd, ASO.

This product isn't designed for protection against radioactive rays.

○Electrical characteristics (Unless otherwise specified Ta=25°C, VCC0,1,2=24V)

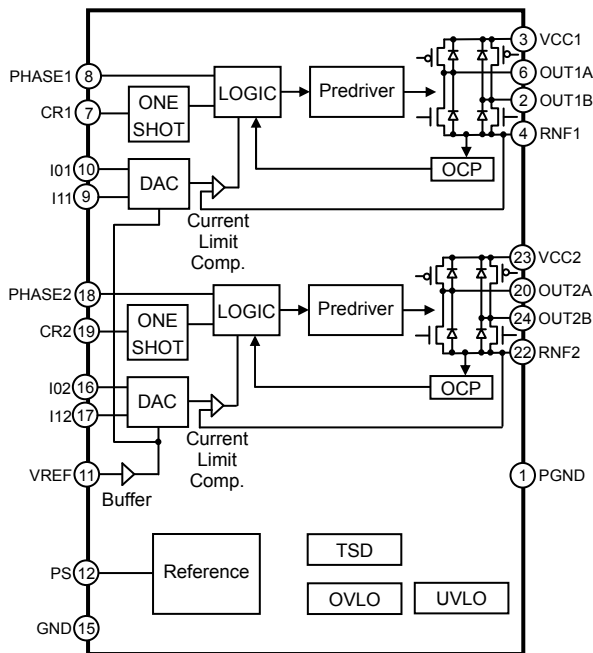
Item	Symbol	Limit			Unit	Conditions
		Min	Typ	Max		
Whole						
Circuit current at standby	I _{CCST}	-	0.4	2.0	mA	PS=L
Circuit current	I _{CC}	-	3.0	10.0	mA	PS=H, VREFX=2V
Control input						
H level input voltage	V _{INH}	2.0	-	-	V	
L level input voltage	V _{INL}	-	-	0.8	V	
Output						
Output ON resistance	R _{ON}	-	1.0	1.3	Ω	I _{OUT} =1.0A, Sum of upper and lower
Output leak current	I _{LEAK}	-	-	10	μA	
Current control						
RNFX input current	I _{RNF}	-40	-20	-	μA	RNFX=0V
VREF input current	I _{VREF}	-1.0	-0.1	-	μA	VREF=0V
VREF input voltage range	V _{REF}	0	-	2.0	V	
Comparator threshold 100%	V _{CTHLL}	0.340	0.400	0.460	V	VREF=2V, I0x=L, I1x=L
Comparator threshold 67%	V _{CTHHL}	0.227	0.267	0.307	V	VREF=2V, I0x=H, I1x=L
Comparator threshold 33%	V _{CTHLH}	0.113	0.133	0.153	V	VREF=2V, I0x=L, I1x=H
Minimum on time	T _{ONMIN}	0.3	0.85	1.40	μsec	R=39kΩ, C=1000pF

OPackage outline



HSOP25 (Unit : mm)

OBlock diagram



OPin No. / Pin name

Pin No.	Pin name	Pin No.	Pin name
1	PGND	14	NC
2	OUT1B	15	GND
3	VCC1	16	I02
4	RNF1	17	I12
5	NC	18	PHASE2
6	OUT1A	19	CR2
FIN	FIN	FIN	FIN
7	CR1	20	OUT2A
8	PHASE1	21	NC
9	I11	22	RNF2
10	I01	23	VCC2
11	VREF	24	OUT2B
12	PS	25	NC
13	NC		

NC : Non Connection

○Operation Notes

- (1) Absolute maximum ratings
Use of the IC in excess of absolute maximum ratings such as the applied voltage or operating temperature range may result in IC damage. Assumptions should not be made regarding the state of the IC (short mode or open mode) when such damage is suffered. A physical safety measure such as a fuse should be implemented when use of the IC in a special mode where the absolute maximum ratings may be exceeded is anticipated.
- (2) Power supply lines
As return of current regenerated by back EMF of motor happens, take steps such as putting capacitor between power supply and GND as an electric pathway for the regenerated current. Be sure that there is no problem with each property such as emptied capacity at lower temperature regarding electrolytic capacitor to decide capacity value. If the connected power supply does not have sufficient current absorption capacity, regenerative current will cause the voltage on the power supply line to rise, which combined with the product and its peripheral circuitry may exceed the absolute maximum ratings. It is recommended to implement a physical safety measure such as the insertion of a voltage clamp diode between the power supply and GND pins.
- (3) GND potential
Ensure a minimum GND pin potential in all operating conditions.
- (4) Thermal design
Use a thermal design that allows for a sufficient margin in light of the power dissipation (Pd) in actual operating conditions. This IC is equipped with FIN heat dissipation terminals, but dissipation efficiency can be improved by applying heat dissipation treatment in this area. It is important to consider actual usage conditions and to take as large a dissipation pattern as possible.
- (5) Actions in strong magnetic field
Use caution when using the IC in the presence of a strong magnetic field as doing so may cause the IC to malfunction.
- (6) ASO
When using the IC, set the output transistor so that it does not exceed absolute maximum ratings or ASO.
- (7) Thermal shutdown circuit
The IC has a built-in thermal shutdown circuit (TSD circuit). If the chip temperature becomes $T_{jmax}=150^{\circ}\text{C}$, and higher, coil output to the motor will be open. The TSD circuit is designed only to shut the IC off to prevent runaway thermal operation. It is not designed to protect or indemnify peripheral equipment. Do not use the TSD function to protect peripheral equipment.
- (8) Ground Wiring Pattern
When using both small signal and large current GND patterns, it is recommended to isolate the two ground patterns, placing a single ground point at the ground potential of application so that the pattern wiring resistance and voltage variations caused by large currents do not cause variations in the small signal ground voltage. Be careful not to change the GND wiring pattern of any external components, either.

Notes

No copying or reproduction of this document, in part or in whole, is permitted without the consent of ROHM Co.,Ltd.

The content specified herein is subject to change for improvement without notice.

The content specified herein is for the purpose of introducing ROHM's products (hereinafter "Products"). If you wish to use any such Product, please be sure to refer to the specifications, which can be obtained from ROHM upon request.

Examples of application circuits, circuit constants and any other information contained herein illustrate the standard usage and operations of the Products. The peripheral conditions must be taken into account when designing circuits for mass production.

Great care was taken in ensuring the accuracy of the information specified in this document. However, should you incur any damage arising from any inaccuracy or misprint of such information, ROHM shall bear no responsibility for such damage.

The technical information specified herein is intended only to show the typical functions of and examples of application circuits for the Products. ROHM does not grant you, explicitly or implicitly, any license to use or exercise intellectual property or other rights held by ROHM and other parties. ROHM shall bear no responsibility whatsoever for any dispute arising from the use of such technical information.

The Products specified in this document are intended to be used with general-use electronic equipment or devices (such as audio visual equipment, office-automation equipment, communication devices, electronic appliances and amusement devices).

The Products specified in this document are not designed to be radiation tolerant.

While ROHM always makes efforts to enhance the quality and reliability of its Products, a Product may fail or malfunction for a variety of reasons.

Please be sure to implement in your equipment using the Products safety measures to guard against the possibility of physical injury, fire or any other damage caused in the event of the failure of any Product, such as derating, redundancy, fire control and fail-safe designs. ROHM shall bear no responsibility whatsoever for your use of any Product outside of the prescribed scope or not in accordance with the instruction manual.

The Products are not designed or manufactured to be used with any equipment, device or system which requires an extremely high level of reliability the failure or malfunction of which may result in a direct threat to human life or create a risk of human injury (such as a medical instrument, transportation equipment, aerospace machinery, nuclear-reactor controller, fuel-controller or other safety device). ROHM shall bear no responsibility in any way for use of any of the Products for the above special purposes. If a Product is intended to be used for any such special purpose, please contact a ROHM sales representative before purchasing.

If you intend to export or ship overseas any Product or technology specified herein that may be controlled under the Foreign Exchange and the Foreign Trade Law, you will be required to obtain a license or permit under the Law.



Thank you for your accessing to ROHM product informations.
More detail product informations and catalogs are available, please contact us.

ROHM Customer Support System

<http://www.rohm.com/contact/>