

## 2Description

The EN2390QI is a Power System on a Chip (PowerSoC) DC-DC converter. It integrates MOSFET switches, small-signal control circuits, compensation and an integrated inductor in an advanced 11x10x3mm QFN module. It offers high efficiency, excellent line and load regulation over temperature. The EN2390QI operates over a wide input voltage range and is specifically designed to meet the precise voltage and fast transient requirements of high-performance products. The EN2390 features frequency synchronization to an external clock, power OK output voltage monitor, programmable soft-start along with thermal and over current protection. The device's advanced circuit design, ultra high switching frequency and proprietary integrated inductor technology delivers high-quality, ultra compact, non-isolated DC-DC conversion.

The Enpirion solution significantly helps in system design and productivity by offering greatly simplified board design, layout and manufacturing requirements. In addition, overall system level reliability is improved given the small number of components required with the Enpirion solution.

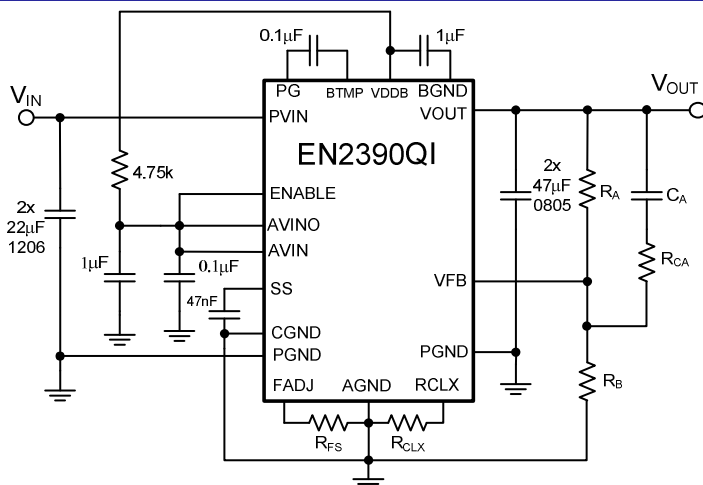
All Enpirion products are RoHS compliant and lead-free manufacturing environment compatible.

## Features

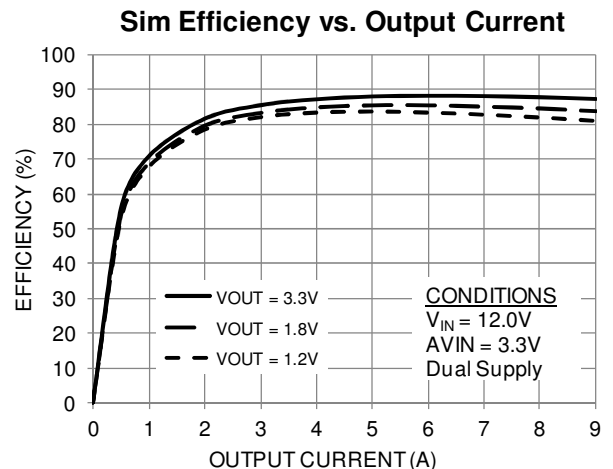
- Integrated Inductor, MOSFETS, Controller
- Total Solution Size Estimate: 235mm<sup>2</sup>
- Wide Input Voltage Range: 4.5V – 14V
- 2% V<sub>OUT</sub> Accuracy (Over Line/Load/Temperature)
- Frequency Synchronization (External Clock)
- Output Enable Pin and Power OK Signal
- Programmable Soft-Start Time
- Under Voltage Lockout Protection (UVLO)
- Programmable Over Current Protection
- Thermal Shutdown and Short Circuit Protection
- RoHS compliant, MSL level 3, 260°C reflow

## Applications

- Space Constrained Applications
- Distributed Power Architectures
- Output Voltage Ripple Sensitive Applications
- Beat Frequency Sensitive Applications
- Servers, Embedded Computing Systems, LAN/SAN Adapter Cards, RAID Storage Systems, Industrial Automation, Test and Measurement, and Telecommunications



**Figure 1.** Simplified Applications Circuit (Footprint Optimized)



**Figure 2.** Highest Efficiency in Smallest Solution Size



## Pin Description

I/O Legend: P=Power G=Ground NC=No Connect I=Input O=Output I/O=Input/Output

PIN	NAME	I/O	FUNCTION
1-19, 29, 30, 61, 67, 72-76	NC	NC	NO CONNECT – These pins may be internally connected. Do not connect them to each other or to any other electrical signal. Failure to follow this guideline may result in device damage.
20-28	VOUT	O	Regulated converter output. Connect these pins to the load and place output capacitor between these pins and PGND pins 33-38.
31, 32, 69-71	NC(SW)	NC	NO CONNECT – These pins are internally connected to the common switching node of the internal MOSFETs. They are not to be electrically connected to any external signal, ground, or voltage. Failure to follow this guideline may result in damage to the device.
33-38	PGND	G	Input/Output power ground. Connect these pins to the ground electrode of the input and output filter capacitors. See VOUT and PVIN pin descriptions for more details.
39-49	PVIN	P	Input power supply. Connect to input power supply. Decouple with input capacitor to PGND pins 33-38.
50	AVINO	O	Internal 3.3V linear regulator output. Connect this pin to AVIN (Pin 59) for applications where operation from a single input voltage (PVIN) is required. If AVINO is being used, place a 1 $\mu$ F, X5R, capacitor between AVINO and AGND as close as possible to AVINO.
51	PG	I/O	Place a 0.1 $\mu$ F, X5R, capacitor between this pin and BTMP.
52	BTMP	I/O	See pin 51 description.
53	Vddb	O	Internal regulated voltage used for the internal control circuitry. Place a 1 $\mu$ F, X5R, capacitor between this pin and BGND.
54	BGND	G	See pin 53 description.
55	S_IN	I	Digital Input. This pin accepts either an input clock to phase lock the internal switching frequency or a S_OUT signal from another EN2390QI. Leave this pin floating if not used.
56	S_OUT	O	Digital Output. PWM signal is output on this pin. Leave this pin floating if not used.
57	POK	O	Power OK is an open drain transistor (pulled up to AVIN or similar voltage) used for power system state indication. POK is logic high when VOUT is within -10% to +20% of VOUT nominal.
58	ENABLE	I	Input Enable. Applying a logic high to this pin enables the output and initiates a soft-start. Applying a logic Low disables the output.
59	AVIN	P	3.3V Input power supply for the controller. Place a 0.1 $\mu$ F, X5R, capacitor between AVIN and AGND
60	AGND	G	Analog Ground. This is the Ground return for the controller. Needs to be connected to a quiet ground.
61	NC		Test pin. For Enpirion Internal Use Only. Connect to GND plane at all times.
62	VFB	I/O	External Feedback Input. The feedback loop is closed through this pin. A voltage divider at VOUT is used to set the output voltage. The mid-point of the divider is connected to VFB. A phase lead capacitor from this pin to VOUT is also required to stabilize the loop.
63	EAIN	O	Optional Error Amplifier Input. Allows for customization of the control loop if necessary.
64	SS	I/O	Soft-Start node. The soft-start capacitor is connected between this pin and AGND. The value of this capacitor determines the startup time.
65	RCLX	I/O	Programmable over-current protection. Placement of a resistor on this pin will adjust the over-current protection threshold. See Table 2 for the recommended RCLX Value to set OCP at the nominal value specified in the Electrical Characteristics table.
66	FADJ	I/O	Adding a resistor ( $R_{FADJ}$ ) to this pin will adjust the switching frequency of the EN2390QI. See Table 1 for suggested resistor values on $R_{FADJ}$ for various PVIN/VOUT combinations to maximize efficiency.

PIN	NAME	I/O	FUNCTION
68	CGND		Connect to GND plane at all times.
77	PGND		Not a perimeter pin. Device thermal pad to be connected to the system GND plane for heat-sinking purposes.

## Absolute Maximum Ratings

**CAUTION:** Absolute Maximum ratings are stress ratings only. Functional operation beyond the recommended operating conditions is not implied. Stress beyond the absolute maximum ratings may impair device life. Exposure to absolute maximum rated conditions for extended periods may affect device reliability.

PARAMETER	SYMBOL	MIN	MAX	UNITS
Voltages on : PVIN, VOUT		-0.5	15	V
Pin Voltages – AVINO, AVIN, ENABLE, POK, S_IN, S_OUT		2.5	6.0	V
Pin Voltages – VFB, SS, EAIN, RCLX, FADJ		-0.5	2.75	V
PVIN Slew Rate		0.3	3	V/ms
Storage Temperature Range	$T_{STG}$	-65	150	°C
Maximum Operating Junction Temperature	$T_{J-ABS Max}$		150	°C
Reflow Temp, 10 Sec, MSL3 JEDEC J-STD-020A			260	°C
ESD Rating (based on Human Body Model)			2000	V
ESD Rating (based on CDM)			500	V

## Recommended Operating Conditions

PARAMETER	SYMBOL	MIN	MAX	UNITS
Input Voltage Range	PVIN	4.5	14	V
AVIN: Controller Supply Voltage	AVIN	2.5	5.5	V
Output Voltage Range (Note 1)	$V_{OUT}$	0.75	5	V
Output Current	$I_{OUT}$		9	A
Operating Ambient Temperature	$T_A$	-40	+85	°C
Operating Junction Temperature	$T_J$	-40	+125	°C

## Thermal Characteristics

PARAMETER	SYMBOL	TYP	UNITS
Thermal Shutdown	$T_{SD}$	160	°C
Thermal Shutdown Hysteresis	$T_{SDH}$	35	°C
Thermal Resistance: Junction to Ambient (0 LFM) (Note 2)	$\theta_{JA}$	15	°C/W
Thermal Resistance: Junction to Case (0 LFM)	$\theta_{JC}$	1.5	°C/W

**Note 1:** RCLX resistor value may need to be raised for  $V_{OUT} > V_{IN} - 2.5V$  to increase current limit threshold.

**Note 2:** Based on 2oz. external copper layers and proper thermal design in line with EIJ/JEDEC JESD51-7 standard for high thermal conductivity boards.

## Electrical Characteristics

NOTE:  $V_{IN}=12V$ , Minimum and Maximum values are over operating ambient temperature range unless otherwise noted. Typical values are at  $T_A = 25^\circ C$ .

PARAMETER	SYMBOL	TEST CONDITIONS	MIN	TYP	MAX	UNITS
Operating Input Voltage	PVIN		4.5		14.0	V
Controller Input Voltage	AVIN		2.5		5.5	V
PVIN Under Voltage Lock-out	UVLO <sub>PVIN</sub>	Voltage above which UVLO is not asserted		2		V
AVIN Under Voltage Lock-out rising	AVIN <sub>UVLOR</sub>	Voltage above which UVLO is not asserted		2.3		V
AVIN Under Voltage Lock-out falling	AVIN <sub>OVLOF</sub>	Voltage below which UVLO is asserted		2.1		V
AVIN pin Input Current	I <sub>AVIN</sub>			TBD		mA
Internal Linear Regulator Output Voltage	AVINO			3.3		V
Shut-Down Supply Current	IPVIN <sub>S</sub>	PVIN=12V, AVIN=3.3, ENABLE=0V		300		μA
	IAVIN <sub>S</sub>	PVIN=12V, AVIN=3.3, ENABLE=0V		50		μA
Feedback Pin Voltage	V <sub>FB</sub>	Feedback node voltage at: $V_{IN} = 12V$ , ILOAD = 0, $T_A = 25^\circ C$	0.594	0.60	0.606	V
Feedback Pin Voltage	V <sub>FB</sub>	Feedback node voltage at: $4.5V \leq V_{IN} \leq 14V$ $0A \leq ILOAD \leq 9A$ , $T_A = -40$ to $85^\circ C$	0.588	0.60	0.612	V
Feedback pin Input Leakage Current	I <sub>FB</sub>	VFB pin input leakage current (Note 3)	-5		5	nA
V <sub>OUT</sub> Rise Time	t <sub>RISE</sub>	C <sub>SS</sub> = 47nF (Note 4 and Note 5)	1.5	2.0	2.5	ms
Soft Start Capacitor Range	C <sub>SS_RANGE</sub>		TBD	47	TBD	nF
Maximum Continuous Output Current	I <sub>OUT_Max_Cont</sub>				9	A
Over Current Trip Level	I <sub>OCP</sub>	Reference Table 2		13.5		A
Disable Threshold	V <sub>DISABLE</sub>	ENABLE pin logic Low.	0.0		0.6	V
ENABLE Threshold	V <sub>ENABLE</sub>	ENABLE pin logic High	1.8		AVIN	V
ENABLE Lockout Time	T <sub>ENLOCKOUT</sub>			8		ms
ENABLE pin Input Current	I <sub>ENABLE</sub>	180kΩ pull down (Note 3)		4		μA
Switching Frequency	F <sub>SW</sub>	RFADJ =3kΩ		1.0		MHz
External SYNC Clock Frequency Lock Range	F <sub>PLL_LOCK</sub>	Range of SYNC clock frequency	0.8		1.6	MHz
S_IN Threshold – Low	V <sub>S_IN_LO</sub>	S_IN clock logic low level			0.8	V
S_IN Threshold – High	V <sub>S_IN_HI</sub>	S_IN clock logic high level	1.8		2.5	V
S_OUT Threshold – Low	V <sub>S_OUT_LO</sub>	S_OUT clock logic low level			0.8	V
S_OUT Threshold – High	V <sub>S_OUT_HI</sub>	S_OUT clock logic high level	1.8		2.5	V
POK Lower Threshold	POK <sub>LT</sub>	Output voltage as a fraction of expected output voltage		90		%

PARAMETER	SYMBOL	TEST CONDITIONS	MIN	TYP	MAX	UNITS
POK Output low Voltage	$V_{POKL}$	With 4mA current sink into POK			0.4	V
POK Output Hi Voltage	$V_{POKH}$	PVIN range: $4.5V \leq V_{IN} \leq 14V$			AVIN	V
POK pin $V_{OH}$ leakage current	$I_{POKL}$	POK high (Note 3)			1	$\mu A$

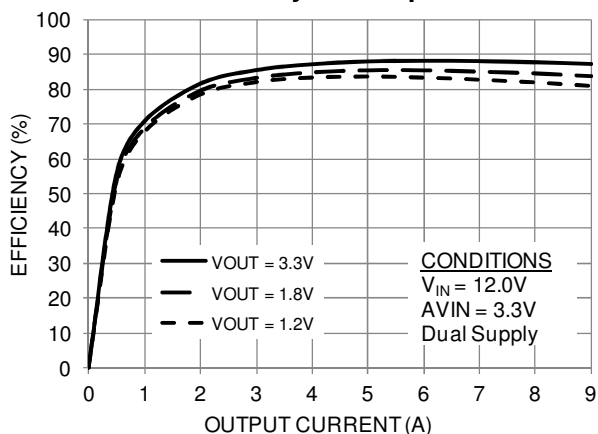
**Note 3:** Parameter not production tested but is guaranteed by design.

**Note 4:** Rise time calculation begins when  $AVIN > V_{UVLO}$  and  $ENABLE = HIGH$ .

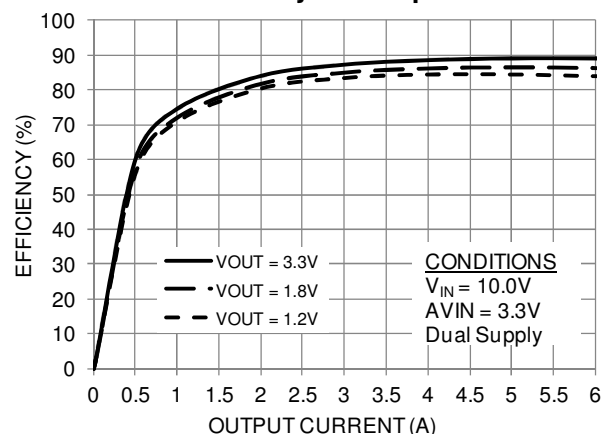
**Note 5:**  $V_{OUT}$  Rise Time Accuracy does not include soft-start capacitor tolerance.

# Typical Performance Curves

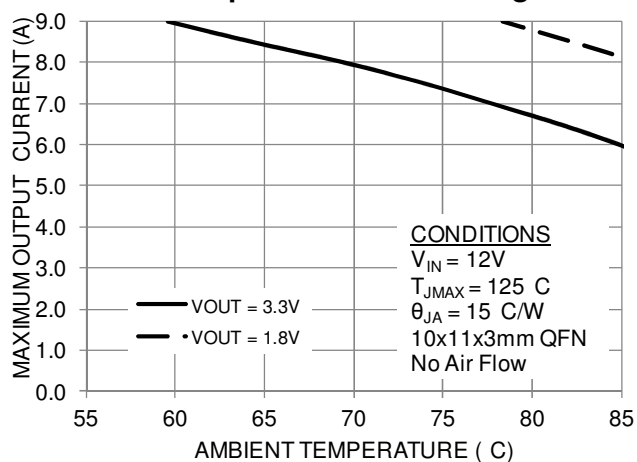
Sim Efficiency vs. Output Current



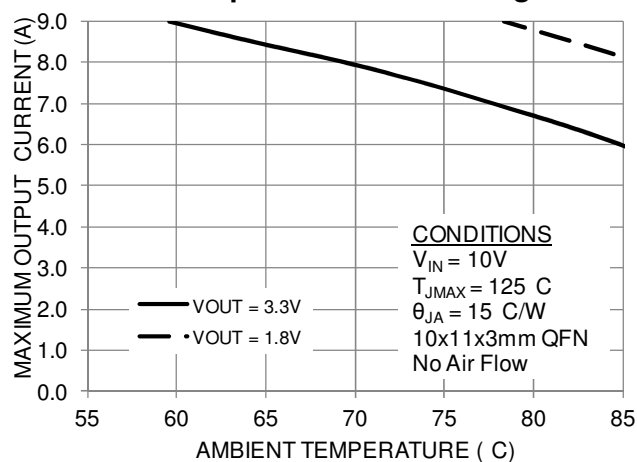
Sim Efficiency vs. Output Current



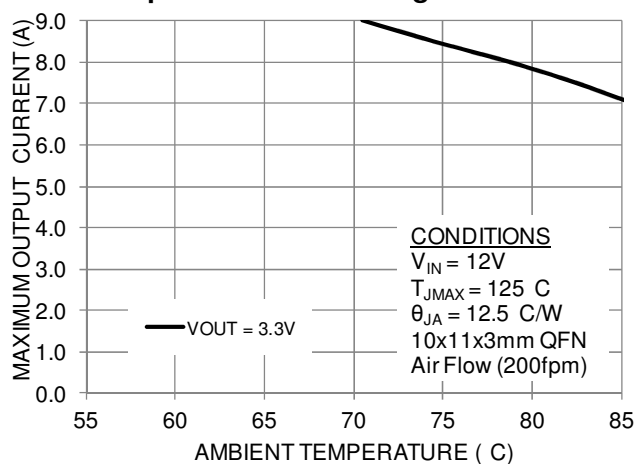
Output Current De-rating



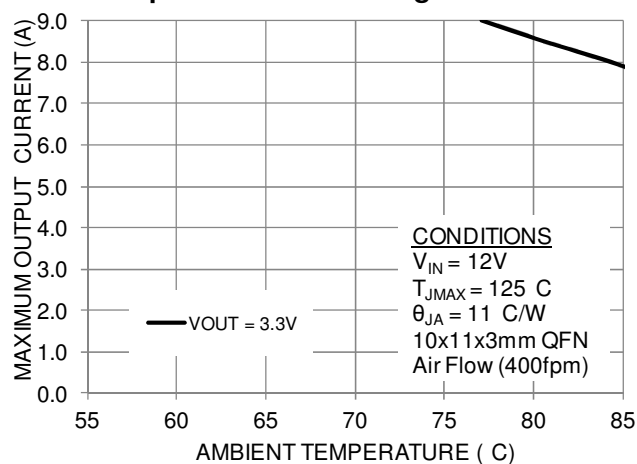
Output Current De-rating



Output Current De-rating with Air Flow

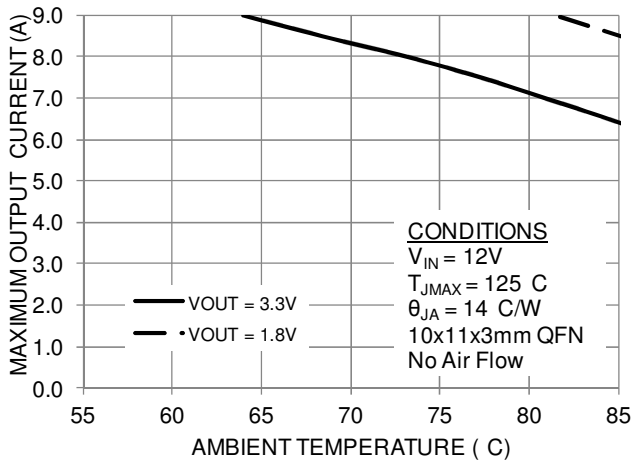


Output Current De-rating with Air Flow

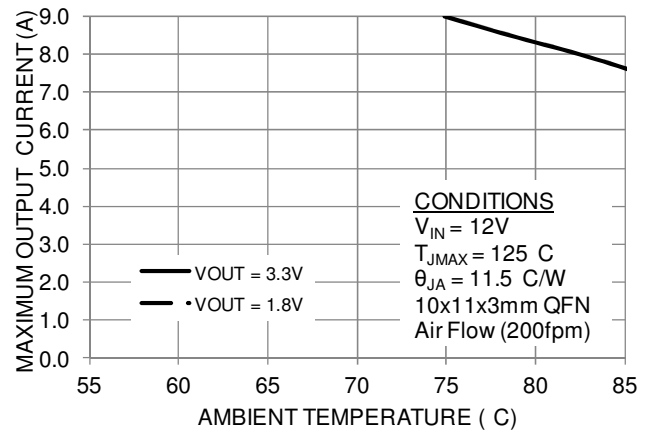


# Typical Performance Curves

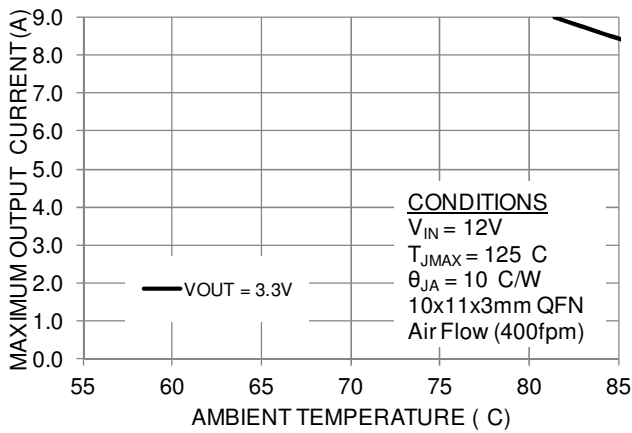
**Output Current De-rating with Heat Sink**



**Output Current De-rating with Heat Sink and Air Flow**



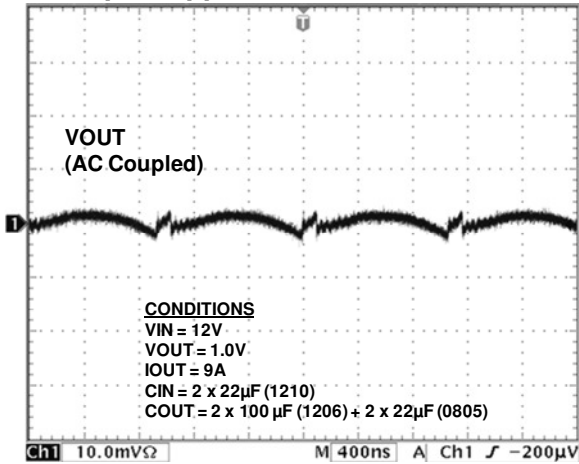
**Output Current De-rating with Heat Sink and Air Flow**



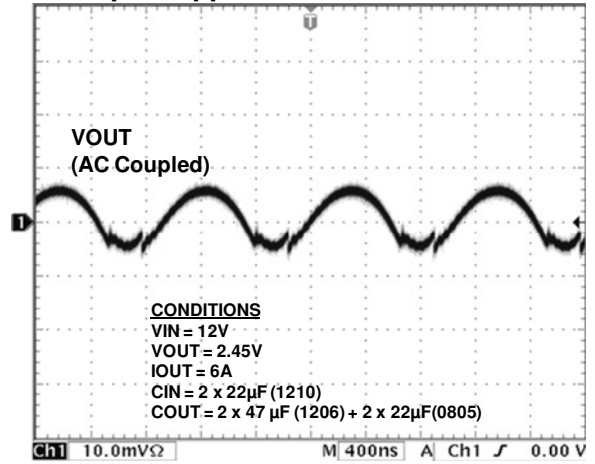


# Typical Performance Characteristics

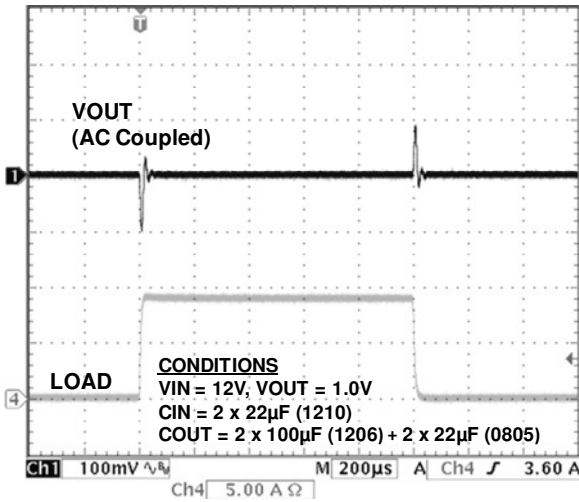
Output Ripple at 500MHz Bandwidth



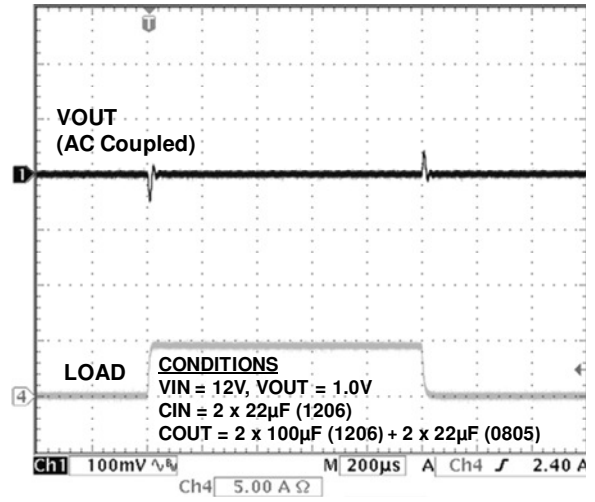
Output Ripple at 500MHz Bandwidth



Load Transient from 0 to 9A



Load Transient from 0 to 4.5A



## Functional Block Diagram

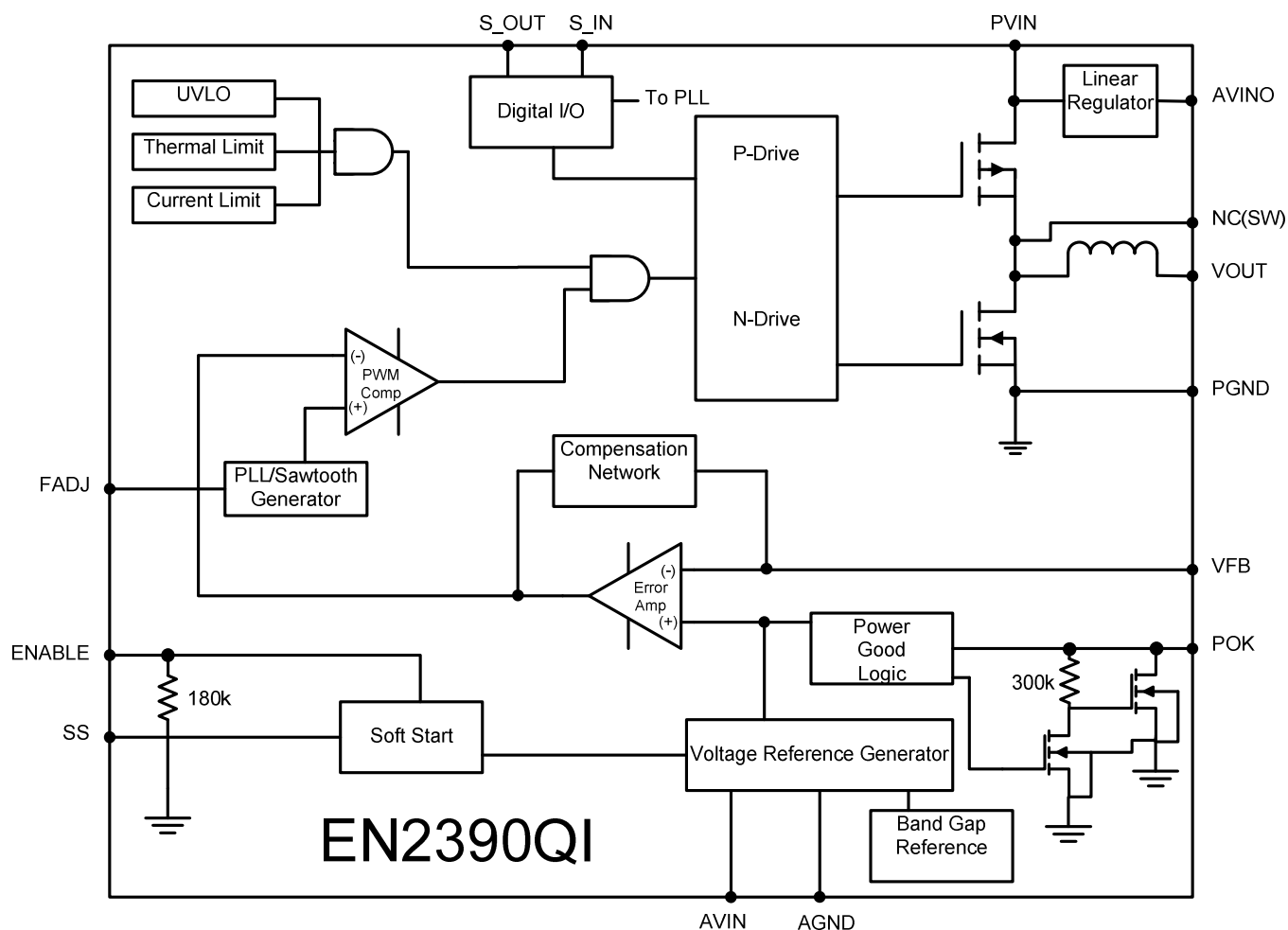


Figure 4: Functional Block Diagram

## Functional Description

### Synchronous Buck Converter

The EN2390QI is a highly integrated synchronous, buck converter with integrated controller, power MOSFET switches and integrated inductor. The nominal input voltage (PVIN) range is 4.5V to 14V and can support up to 9A of continuous output current. The output voltage is programmed using an external resistor divider network. The control loop utilizes a Type IV Voltage-Mode compensation network and maximizes on a low-noise PWM topology. Much of the compensation circuitry is internal to the device. However, a phase lead capacitor is required along with the output voltage feedback resistor divider to complete the Type IV compensation network. The high switching frequency of the EN2390QI enables the use of

small size input and output capacitors, as well as a wide loop bandwidth within a small foot print.

### Protection Features:

The power supply has the following protection features:

- Programmable Over-Current Protection
- Thermal Shutdown with Hysteresis.
- Under-Voltage Lockout Protection

### Additional Features:

- Switching Frequency Synchronization.
- Programmable Soft-Start
- Power OK Output Monitoring

## Power Up Sequence

The EN2390QI is designed to be powered by either a single input supply (PVIN) or two separate supplies: one for PVIN and the other for AVIN.

### Single Input Supply Application (PVIN):

The EN2390QI has an internal linear regulator that converts PVIN to 3.3V. The output of the linear regulator is provided on the AVINO pin. AVINO should be connected to AVIN on the EN2390QI. In this application, the following external components are required: Place a  $1\mu\text{F}$ , X5R, capacitor between AVINO and AGND as close as possible to AVINO. Place a  $0.1\mu\text{F}$ , X5R, capacitor between AVIN and AGND as close as possible to AVIN. In addition, place a resistor ( $R_{VB}$ ) between VDDDB and AVIN, as shown in Figure 1. Enpirion recommends  $R_{VB}=4.75\text{k}\Omega$ . In this application, ENABLE cannot be asserted before PVIN. If no external enable signal is used, tying ENABLE to AVIN meets this requirement.

### Dual Input Supply Application (PVIN and AVIN):

In this application, place a  $0.1\mu\text{F}$ , X5R, capacitor between AVIN and AGND as close as possible to AVIN. Refer to Figure 5 for a recommended schematic for a dual input supply application.

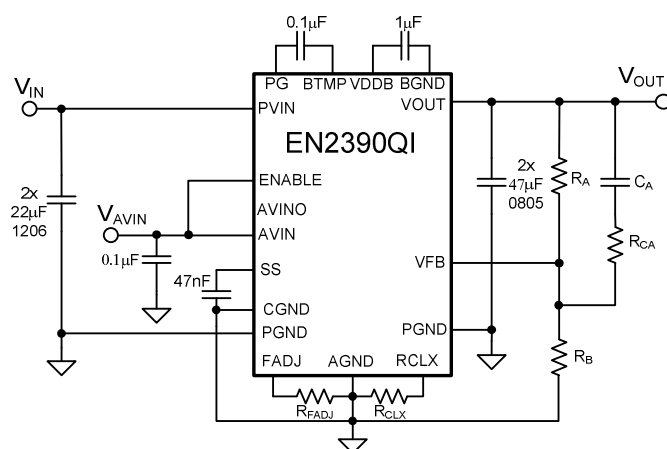
For dual input supply applications, the sequencing of the two input supplies, PVIN and AVIN, is very important. During power up, neither ENABLE nor PVIN should be asserted before AVIN. There are two common acceptable turn-on/off sequences for the device. ENABLE can be tied to AVIN and come up with it, and PVIN can be ramped up and down as needed. Alternatively, PVIN can be brought high after AVIN is asserted, and the device can be turned on and off by toggling the ENABLE pin.

## Enable Operation

The ENABLE pin provides a means to enable normal operation or to shut down the device. A logic high will enable the converter into normal operation. When the ENABLE pin is asserted (high) the device will undergo a normal soft-start. A logic low will disable the converter. A logic low will power down the device in a controlled manner and the device is subsequently shut down. The ENABLE signal has to be low for at least the ENABLE Lockout Time (8ms) in order for the device to be re-enabled.

## Pre-Bias Operation

The EN2390QI is not designed to be turned on into a pre-biased output voltage.



**Figure 5:** Dual Input Supply (PVIN and AVIN) Recommended Schematic

## Frequency Synchronization

The switching frequency of the EN2390QI can be phase-locked to an external clock source to move unwanted beat frequencies out of band. The internal switching clock of the EN2390QI can be phase locked to a clock signal applied to the S\_IN pin. An activity detector recognizes the presence of an external clock signal and automatically phase-locks the internal oscillator to this external clock. Phase-lock will occur as long as the input clock frequency is in the range of 0.8MHz to 1.6MHz. When no clock is present, the device reverts to the free running frequency of the internal oscillator. Adding a resistor ( $R_{FS}$ ) to the FADJ pin will adjust the frequency lower. If a  $3\text{k}\Omega$  resistor is placed on FADJ the nominal switching frequency of the EN2390QI is 1MHz. The efficiency performance of the EN2390QI for various PVIN/VOUT combinations can be optimized by adjusting the switching frequency. Table 1 shows recommended  $R_{FS}$  values for various PVIN/VOUT combinations in order to optimize performance of the EN2390QI.

PVIN	VOUT	$R_{FS}$
12V	TBD	TBD
	TBD	TBD
	TBD	TBD
	TBD	TBD
	TBD	TBD
5V	TBD	TBD
	TBD	TBD
	TBD	TBD

**Table 1:** Recommended  $R_{FS}$  Values

## Spread Spectrum Mode

The external clock frequency may be swept between 0.8MHz and 1.6MHz at repetition rates of up to 10 kHz in order to reduce EMI frequency components.

## Soft-Start Operation

Soft start is a means to ramp the output voltage gradually upon start-up. The output voltage rise time is controlled by the choice of soft-start capacitor, which is placed between the SS pin (pin 78) and the AGND pin (pin 74).

$$\text{Rise Time (ms): } T_R \approx C_{SS} [\text{nF}] \times 0.067$$

During start-up of the converter, the reference voltage to the error amplifier is linearly increased to its final level by an internal current source of approximately 10 $\mu$ A. Typical soft-start rise time is ~3.2ms with SS capacitor value of 47nF. The rise time is measured from when  $V_{IN} > V_{UVLOR}$  and ENABLE pin voltage crosses its logic high threshold to when  $V_{OUT}$  reaches its programmed value.

## POK Operation

The POK signal is an open drain signal (requires a pull up resistor to AVIN or similar voltage) from the converter indicating the output voltage is within the specified range. Typically, a 100k $\Omega$  or lower resistance is used as the pull-up resistor. The POK signal will be logic high (AVIN) when the output voltage is above 90% of the programmed  $V_{OUT}$ . If the output voltage goes outside of this range, the POK signal will be a logic low.

## Over-Current Protection (OCP)

The current limit function is achieved by sensing the current flowing through a sense PFET. When the sensed current exceeds the current limit, both power FETs are turned off for the rest of the switching cycle. If the over-current condition is removed, the over-current protection circuit will re-enable PWM operation. If the over-current condition persists, the circuit will continue to protect the load. The OCP trip point is nominally set as specified in the Electrical Characteristics table. In the event the

OCP circuit trips consistently in normal operation, the device enters a hiccup mode. While in hiccup mode, the device is disabled for a short while and restarted with a normal soft-start. The hiccup time is approximately 32ms. This cycle can continue indefinitely as long as the over current condition persists.

The OCP trip point can be programmed to trip at a lower level via the RCLX pin. The value of the resistor connected between RCLX and ground will determine the OCP trip point. Generally, the higher the RCLX value, the higher the current limit threshold. Note that if RCLX pin is left open the output current will be unlimited and the device will not have current limit protection. Reference Table 2 for a list of recommended resistor values on RCLX that will set the OCP trip point at the typical value of 13.5A, also specified in the Electrical Characteristics table. This table assumes  $V_{OUT} < V_{IN} - 2.5V$ . Contact [techsupport@enpirion.com](mailto:techsupport@enpirion.com) for specific RCLX values to be use for special cases.

$V_{OUT}$ Range	$R_{CLX}$ Value
$0.6V < V_{OUT} \leq 0.9V$	36.5k
$0.9V < V_{OUT} \leq 1.2V$	38.4k
$1.2V < V_{OUT} \leq 2.0V$	40.2k
$2.0V < V_{OUT} \leq 5.0V$	45.3k

**Table 2:** Recommended  $R_{CLX}$  Values vs.  $V_{OUT}$

## Thermal Overload Protection

Thermal shutdown circuit will disable device operation when the junction temperature exceeds approximately 150 $^{\circ}$ C. After a thermal shutdown event, when the junction temperature drops by approx 20 $^{\circ}$ C, the converter will re-start with a normal soft-start.

## Input Under-Voltage Lock-Out (UVLO)

Internal circuits ensure that the converter will not start switching until the input voltage is above the specified minimum voltage. Hysteresis, input de-glitch and output leading edge blanking ensures high noise immunity and prevents false UVLO triggers.

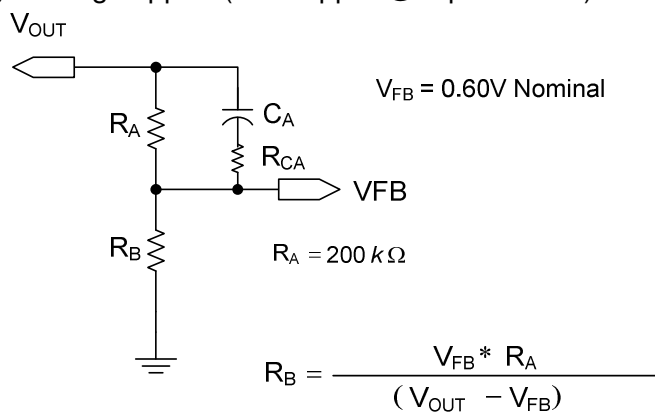
## Application Information

### Output Voltage Programming and Loop Compensation

The EN2390QI output voltage is programmed using a simple resistor divider network. A phase lead capacitor ( $C_A$ ) plus a resistor ( $R_{CA}$ ) are required for stabilizing the loop. Figure 6 shows the required components and the equations to calculate their values. The EN2390QI output voltage is determined by the voltage presented at the VFB pin. This voltage is set by way of a resistor divider between VOUT and AGND with the midpoint going to VFB.

The EN2390QI uses a Type IV compensation network. Most of this network is integrated. However a phase lead capacitor and a resistor are required in parallel with the upper resistor of the external feedback network (see Figure 6). Total compensation is optimized for either low output ripple or small solution size, and will result in a wide loop bandwidth and excellent load transient performance for most applications. See Table 5 for compensation values for both options based on input and output voltage conditions.

In some cases modifications to the compensation may be required. The EN2390QI provides the capability to modify the control loop response to allow for customization for specific applications. For more information, contact Enpirion Applications Engineering support (techsupport@enpirion.com).



**Figure 6:**  $V_{OUT}$  Resistor Divider & Compensation Components.  $R_A$  equation is only valid for Best Performance option. For Small Solution Size option, see Table 5.

### Input Capacitor Selection

The EN2390QI requires two 22 $\mu$ F/1206 input capacitor. Low-cost, low-ESR ceramic capacitors should be used as input capacitors for this converter. The dielectric must be X5R or X7R

values. The values recommended for  $C_A$  and  $R_{CA}$  will vary with each PVIN and VOUT combination. The EN2390 solution can be optimized for either smallest size or highest performance. Please see Table 5 for a list of recommended  $C_A$  and  $R_{CA}$  values for each solution option.

rated. **Y5V or equivalent dielectric formulations must not be used as these lose too much capacitance with frequency, temperature and bias voltage.** In some applications, lower value capacitors are needed in parallel with the larger, capacitors in order to provide high frequency decoupling. Table 3 contains a list of recommended input capacitors.

### Recommended Input Capacitors

Description	MFG	P/N
22 $\mu$ F, 16V, X5R, 10%, 1206	Murata	GRM31CR61C226ME15
22 $\mu$ F, 16V, X5R, 20%, 1206	Taiyo Yuden	EMK316ABJ226ML-T

**Table 3:** Recommended Input Capacitors

### Output Capacitor Selection

As seen from Table 5, the EN2390QI has been optimized for use with two 47 $\mu$ F/0805 and two 22 $\mu$ F/0805 output capacitors for best performance. For smallest solution size, various combinations of output capacitance may be used. See Table 5 for details. Low ESR ceramic capacitors are required with X5R or X7R rated dielectric formulation. **Y5V or equivalent dielectric formulations must not be used as these lose too much capacitance with frequency, temperature and bias voltage.** Table 4 contains a list of recommended output capacitors

Output ripple voltage is determined by the aggregate output capacitor impedance. Capacitor impedance, denoted as  $Z$ , is comprised of capacitive reactance, effective series resistance, ESR, and effective series inductance, ESL reactance.

Placing output capacitors in parallel reduces the impedance and will hence result in lower ripple voltage.

$$\frac{1}{Z_{Total}} = \frac{1}{Z_1} + \frac{1}{Z_2} + \dots + \frac{1}{Z_n}$$

## Recommended Output Capacitors

Description	MFG	P/N
47 $\mu$ F, 6.3V, X5R, 20%, 1206	Murata	GRM31CR60J476ME19L
47 $\mu$ F, 10V, X5R, 20%, 1206	Taiyo Yuden	LMK316BJ476ML-T
22 $\mu$ F, 10V, X5R, 20%, 0805	Panasonic	ECJ-2FB1A226M
22 $\mu$ F, 10V, X5R, 20%, 0805	Taiyo Yuden	LMK212BJ226MG-T
100 $\mu$ F, 6.3V, X5R, 20%, 1206	Murata	GRM31CR60J107ME39L
	Taiyo Yuden	JMK316BJ107ML-T

**Table 4:** Recommended Output Capacitors

		Best Performance C <sub>in</sub> = 2 x 22uF/1206 C <sub>out</sub> = 3 x 47uF/0805 + 2 x 22uF/0805 (V <sub>out</sub> ≤ 3.3V) C <sub>out</sub> = 2 x 47uF/1206 + 2 x 22uF/0805 (V <sub>out</sub> > 3.3V)					Smallest Solution Size C <sub>in</sub> = 2 x 22uF/1206 V <sub>out</sub> ≤ 1.8V, C <sub>out</sub> = 2x47uF (0805)-6.3V 3.3V > V <sub>out</sub> > 1.8V, C <sub>out</sub> = 2x47uF (1206)-10V				
PVIN	VOUT	R <sub>A</sub> (KΩ)	C <sub>A</sub> (pF)	R <sub>CA</sub> (KΩ)	Nominal Ripple (mV)	Nominal Deviation (mV)	R <sub>A</sub> (KΩ)	C <sub>A</sub> (pF)	R <sub>CA</sub> (KΩ)	Nominal Ripple (mV)	Nominal Deviation (mV)
14V	0.9V	200	39	16	12	91	75	18	8.2	15	93
	1.2V	200	33	15	13	96	75	18	8.2	21	104
	1.5V	200	27	13	14	109	75	18	8.2	27	110
	1.8V	200	22	12	16	116	75	18	8.2	35	120
	2.5V	200	18	8.2	20	143	75	15	8.2	54	150
	3.3V	200	12	4.3	30	196	75	10	8.2	81	215
	5.0V	200	5.6	0	46	295	75	12	8.2	106	305
12V	0.9V	200	47	12	11	97	75	27	5.1	15	96
	1.2V	200	39	10	12	106	75	27	5.1	21	104
	1.5V	200	33	9.1	13	113	75	27	5.1	27	112
	1.8V	200	27	7.5	15	123	75	27	5.1	34	130
	2.5V	200	22	3.9	18	149	75	22	5.1	52	162
	3.3V	200	15	0	26	198	75	15	5.1	77	221
	5.0V	200	6.8	0	39	306	75	18	5.1	96	313
10V	0.9V	200	56	7.5	10	101	75	56	2	15	99
	1.2V	200	47	6.2	11	113	75	56	2	20	107
	1.5V	200	47	4.3	12	116	75	39	2	26	122
	1.8V	200	39	3.0	13	121	75	39	2	33	126
	2.5V	200	27	0	16	157	75	33	2	50	169
	3.3V	200	18	0	23	216	75	22	2	71	241
	5.0V	200	8.2	0	34	333	75	22	2	82	290
8.0V	0.9V	200	82	3.3	9	110	75	100	0	15	108
	1.2V	200	68	1.6	10	115	75	100	0	20	113
	1.5V	200	56	0	10	123	75	82	0	25	122
	1.8V	200	47	0	11	132	75	68	0	31	136
	2.5V	200	39	0	14	160	75	47	0	46	183
	3.3V	200	27	0	20	210	75	33	0	62	253
	5.0V	200	12	0	25	338	75	33	0	62	301
6.6V	0.9V	200	100	0	8	117	75	100	0	14	121
	1.2V	200	82	0	8	124	75	100	0	19	128
	1.5V	200	82	0	9	130	75	100	0	24	138
	1.8V	200	68	0	9	142	75	100	0	29	149
	2.5V	200	47	0	12	175	75	68	0	41	188
	3.3V	200	33	0	16	222	75	47	0	53	239
	5.0V	200	12	0	25	338	75	33	0	62	301
5V	0.9V	200	150	0	7	132	75	100	0	13	152
	1.2V	200	120	0	7	138	75	100	0	18	161
	1.5V	200	120	0	8	142	75	100	0	22	177
	1.8V	200	100	0	8	154	75	100	0	25	183
	2.5V	200	68	0	9	185	75	100	0	33	216
	3.3V	200	47	0	12	231	75	68	0	36	265

**Table 5:** R<sub>A</sub>, C<sub>A</sub>, and R<sub>CA</sub> Values for Various PVIN/VOUT Combinations: Low V<sub>OUT</sub> Ripple vs. Smallest Solution Size. Use the equations in Figure 6 to calculate R<sub>A</sub> (for low V<sub>OUT</sub> ripple option) and R<sub>B</sub>.

**Note 6:** Nominal Deviation is for a 9A load transient step.

**Note 7:** For compensation values of output voltage in between the specified output voltages, choose compensation values of the lower output voltage setting.

## Thermal Considerations

Thermal considerations are important power supply design facts that cannot be avoided in the real world. Whenever there are power losses in a system, the heat that is generated by the power dissipation needs to be accounted for. The Enpirion PowerSoC helps alleviate some of those concerns.

The Enpirion EN2390QI DC-DC converter is packaged in an 8x11x3mm 68-pin QFN package. The QFN package is constructed with copper lead frames that have exposed thermal pads. The exposed thermal pad on the package should be soldered directly on to a copper ground pad on the printed circuit board (PCB) to act as a heat sink. The recommended maximum junction temperature for continuous operation is 125°C. Continuous operation above 125°C may reduce long-term reliability. The device has a thermal overload protection circuit designed to turn off the device at an approximate junction temperature value of 150°C.

The EN2390QI is guaranteed to support the full 4A output current up to 85°C ambient temperature. The following example and calculations illustrate the thermal performance of the EN2390QI.

Example:

$$V_{IN} = 12V$$

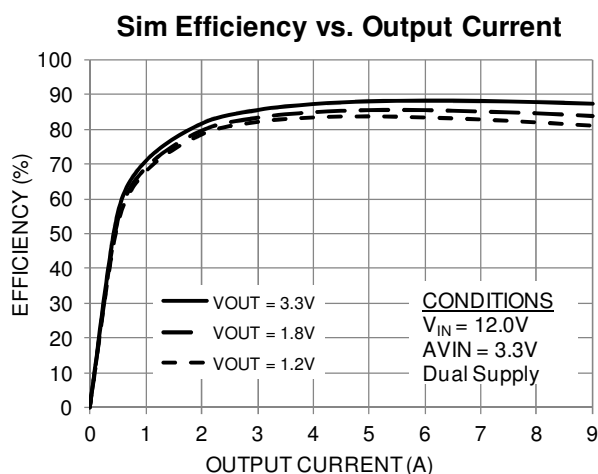
$$V_{OUT} = 1.2V$$

$$I_{OUT} = 9A$$

First calculate the output power.

$$P_{OUT} = 1.2V \times 9A = 10.8W$$

Next, determine the input power based on the efficiency ( $\eta$ ) shown in Figure 7.



**Figure 7:** Efficiency vs. Output Current

For  $V_{IN} = 12V$ ,  $V_{OUT} = 1.2V$  at 9A,  $\eta \approx 80\%$

$$\eta = P_{OUT} / P_{IN} = 80\% = 0.8$$

$$P_{IN} = P_{OUT} / \eta$$

$$P_{IN} \approx 10.8W / 0.8 \approx 13.5W$$

The power dissipation ( $P_D$ ) is the power loss in the system and can be calculated by subtracting the output power from the input power.

$$P_D = P_{IN} - P_{OUT}$$

$$\approx 13.5W - 10.8W \approx 2.7W$$

With the power dissipation known, the temperature rise in the device may be estimated based on the theta JA value ( $\theta_{JA}$ ). The  $\theta_{JA}$  parameter estimates how much the temperature will rise in the device for every watt of power dissipation. The EN2390QI has a  $\theta_{JA}$  value of 16 °C/W without airflow.

Determine the change in temperature ( $\Delta T$ ) based on  $P_D$  and  $\theta_{JA}$ .

$$\Delta T = P_D \times \theta_{JA}$$

$$\Delta T \approx 2.7W \times 16^\circ C/W = 43.2^\circ C \approx 43^\circ C$$

The junction temperature ( $T_J$ ) of the device is approximately the ambient temperature ( $T_A$ ) plus the change in temperature. We assume the initial ambient temperature to be 25°C.

$$T_J = T_A + \Delta T$$

$$T_J \approx 25^\circ C + 43^\circ C \approx 67^\circ C$$

The maximum operating junction temperature ( $T_{JMAX}$ ) of the device is 125°C, so the device can operate at a higher ambient temperature. The maximum ambient temperature ( $T_{AMAX}$ ) allowed can be calculated.

$$T_{AMAX} = T_{JMAX} - P_D \times \theta_{JA}$$

$$\approx 125^\circ C - 43^\circ C \approx 82^\circ C$$

The maximum ambient temperature the device can reach is 82°C given the input and output conditions. Note that the efficiency will be slightly lower at higher temperatures and this calculation is an estimate.



## Engineering Schematic

TBD

**Figure 8:** Engineering Schematic with Engineering Notes

## Layout Recommendation



**Figure 9:** Top Layer Layout with Critical Components (Top View). See Figure 8 for corresponding schematic.

*This layout only shows the critical components and top layer traces for minimum footprint in single-supply mode with ENABLE tied to AVIN. Alternate circuit configurations & other low-power pins need to be connected and routed according to customer application. Please see the Gerber files at [www.enpirion.com](http://www.enpirion.com) for details on all layers.*

**Recommendation 1:** Input and output filter capacitors should be placed on the same side of the PCB, and as close to the EN2390QI package as possible. They should be connected to the device with very short and wide traces. Do not use thermal reliefs or spokes when connecting the capacitor pads to the respective nodes. The +V and GND traces between the capacitors and the EN2390QI should be as close to each other as possible so that the gap between the two nodes is minimized, even under the capacitors.

**Recommendation 2:** The PGND connections for the input and output capacitors on layer 1 need to have a slit between them in order to provide some separation between input and output current loops.

**Recommendation 3:** The system ground plane should be the first layer immediately below the surface layer. This ground plane should be continuous and un-interrupted below the converter and the input/output capacitors.

**Recommendation 4:** The thermal pad underneath the component must be connected to the system ground plane through as many vias as possible. The drill diameter of the vias should be 0.33mm, and the vias must have at least 1 oz. copper plating on the inside wall, making the finished hole size around 0.20-0.26mm. Do not use thermal reliefs or

spokes to connect the vias to the ground plane. This connection provides the path for heat dissipation from the converter.

**Recommendation 5:** Multiple small vias (the same size as the thermal via discussed in recommendation 4) should be used to connect ground terminal of the input capacitor and output capacitors to the system ground plane. It is preferred to put these vias along the edge of the GND copper closest to the +V copper. These vias connect the input/output filter capacitors to the GND plane, and help reduce parasitic inductances in the input and output current loops. If vias cannot be placed under the capacitors, then place them on both sides of the slit in the top layer PGND copper.

**Recommendation 6:** AVIN is the power supply for the small-signal control circuits. It should be connected to the input voltage at a quiet point. In Figure 9 this connection is made at the input capacitor.

**Recommendation 7:** The layer 1 metal under the device must not be more than shown in Figure 9. Refer to the section regarding Exposed Metal on Bottom of Package. As with any switch-mode DC/DC converter, try not to run sensitive signal or control lines underneath the converter package on other layers.

**Recommendation 8:** The  $V_{OUT}$  sense point should be just after the last output filter capacitor. Keep the sense trace short in order to avoid noise coupling into the node. Contact Enpirion Technical Support for any remote sensing applications.

**Recommendation 9:** Keep  $R_A$ ,  $C_A$ ,  $R_B$ , and  $R_{CA}$  close to the VFB pin (Refer to Figure 9). The VFB pin is a high-impedance, sensitive node. Keep the trace to this pin as short as possible. Whenever possible, connect  $R_B$  directly to the AGND pins 52 and 53 instead of going through the GND plane.

**Recommendation 10:** Follow all the layout recommendations as close as possible to optimize performance. Enpirion provides schematic and layout reviews for all customer designs. Contact Enpirion Applications Engineering for detailed support ([techsupport@enpirion.com](mailto:techsupport@enpirion.com)).

## Design Considerations for Lead-Frame Based Modules

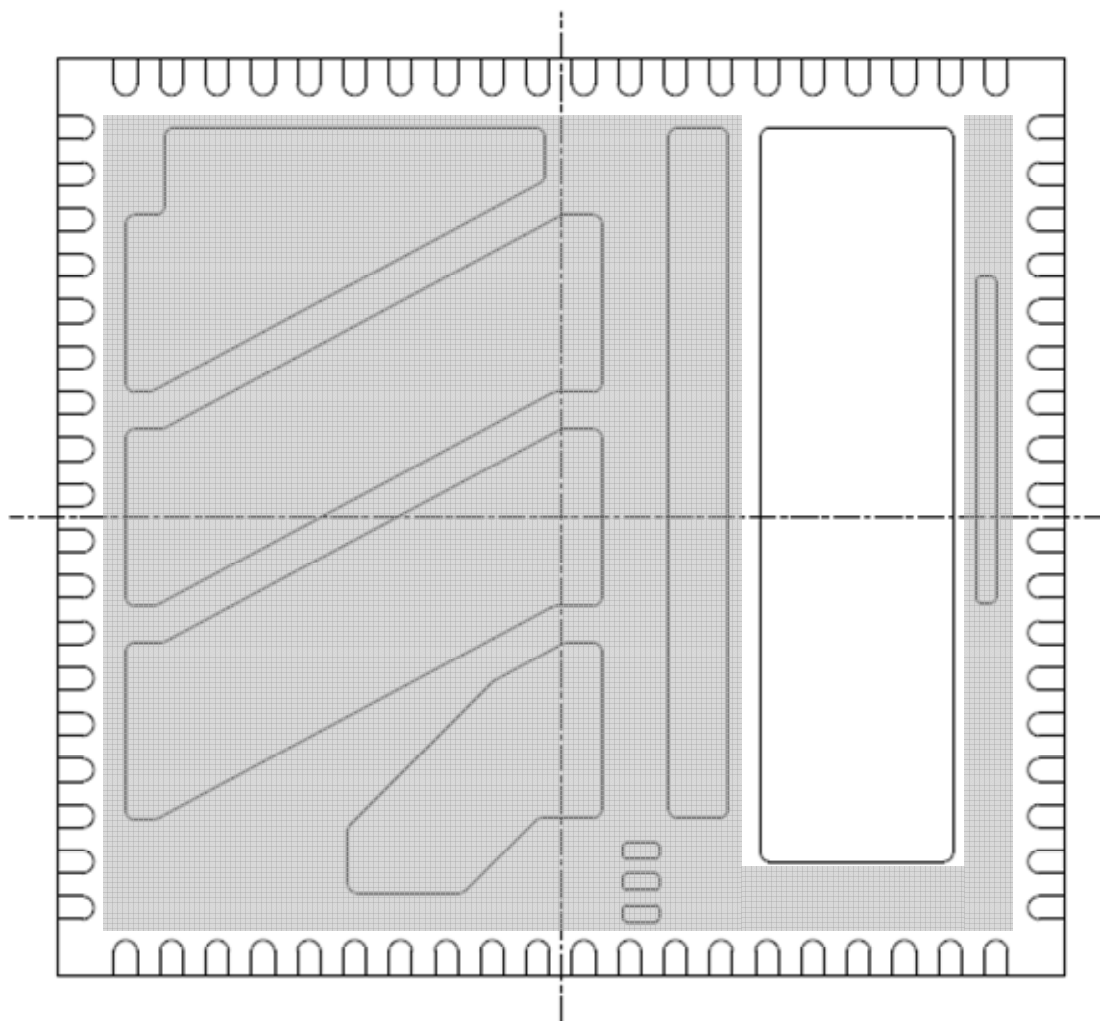
### Exposed Metal on Bottom of Package

Lead-frames offer many advantages in thermal performance, in reduced electrical lead resistance, and in overall foot print. However, they do require some special considerations.

In the assembly process lead frame construction requires that, for mechanical support, some of the lead-frame cantilevers be exposed at the point where wire-bond or internal passives are attached. This results in several small pads being exposed on the bottom of the package, as shown in Figure 10.

Only the thermal pad and the perimeter pads are to be mechanically or electrically connected to the PC board. The PCB top layer under the EN2390QI should be clear of any metal (copper pours, traces, or vias) except for the thermal pad. The “shaded-out” area in Figure 10 represents the area that should be clear of any metal on the top layer of the PCB. Any layer 1 metal under the shaded-out area runs the risk of undesirable shorted connections even if it is covered by soldermask.

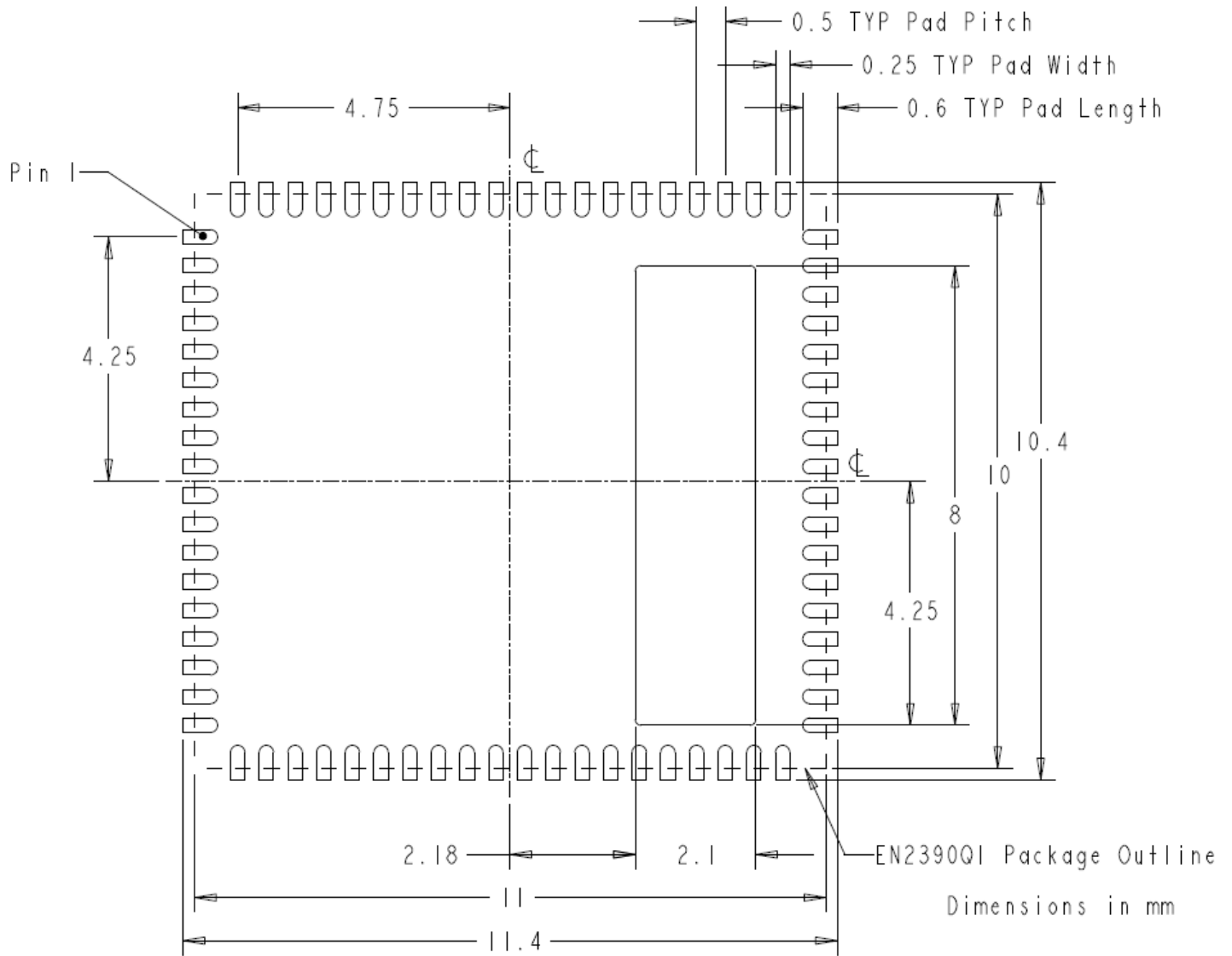
The solder stencil aperture should be smaller than the PCB ground pad. This will prevent excess solder from causing bridging between adjacent pins or other exposed metal under the package. Please consult the Enpirion Manufacturing Application Note for more details and recommendations.



**Figure 10:** Lead-Frame exposed metal (Bottom View)

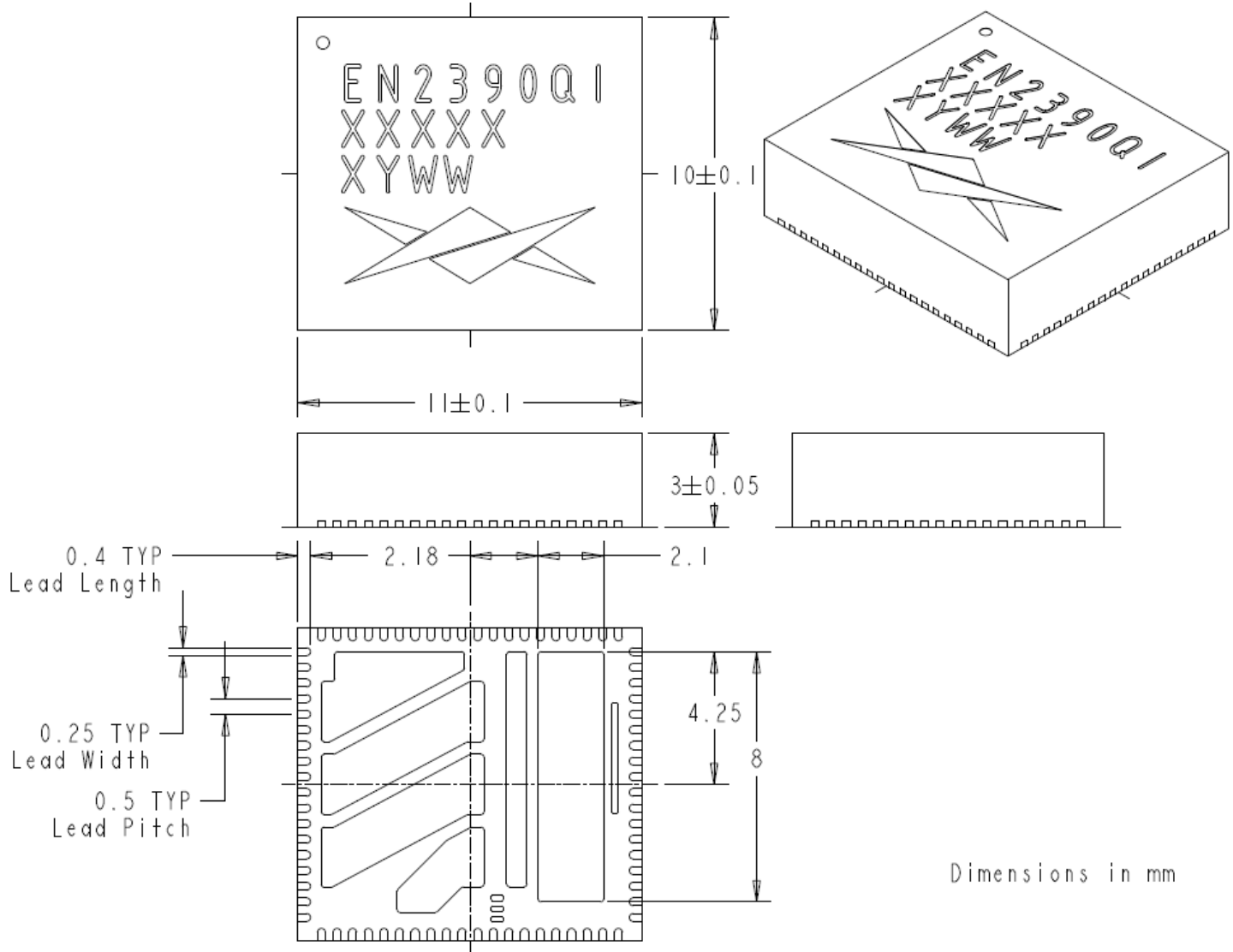
Shaded area highlights exposed metal that is not to be mechanically or electrically connected to the PCB.

**Recommended PCB Footprint**



**Figure 11: EN2390QI PCB Footprint (Top View)**

## Package and Mechanical



**Figure 12: EN2390QI Package Dimensions (Bottom View)**

**Packing and Marking Information:** <http://www.enpirion.com/resource-center-packing-and-marking-information.htm>

## Contact Information

Enpirion, Inc.  
 Perryville III Corporate Park  
 53 Frontage Road - Suite 210  
 Hampton, NJ 08827 USA  
 Phone: 1.908.894.6000  
 Fax: 1.908.894.6090

Enpirion reserves the right to make changes in circuit design and/or specifications at any time without notice. Information furnished by Enpirion is believed to be accurate and reliable. Enpirion assumes no responsibility for its use or for infringement of patents or other third party rights, which may result from its use. Enpirion products are not authorized for use in nuclear control systems, as critical components in life support systems or equipment used in hazardous environment without the express written authority from Enpirion