

FEATURES

- SMALLEST AVAILABLE LOW COST WATCH CRYSTAL
- OPERATING TEMPERATURE RANGE OF -40/+85°C
- EXCELLENT CLOCK SIGNAL GENERATOR FOR CPU'S



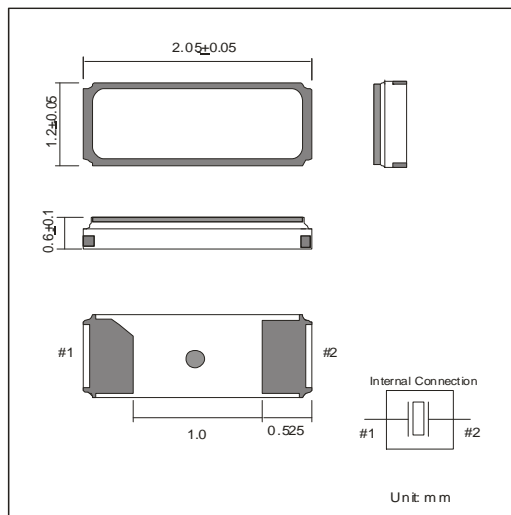
ULTRA MINI SMD-WATCH CRYSTAL SERIES	M2015
PACKAGE DIMENSIONS	2.05 x 1.2 x 0.6 mm
FREQUENCY	32.768 kHz
FREQUENCY TOLERANCE AT 25°C	+/-30 ppm (standard)
LOAD CAPACITANCE	12.5 pF (standard) / 6 pF, 7 pF and 9 pF available on demand
SERIES RESISTANCE	90 kΩ max.
OPERATING TEMPERATURE RANGE	-40/+85°C
STORAGE TEMPERATURE RANGE	-55/+125°C
PARABOLIC COEFFICIENT	-0.04 ppm/°C ² max.
TURNOVER TEMPERATURE	+25°C +/-5°C
DRIVE LEVEL	0.5 μW max.
SHUNT CAPACITANCE C0	1.3 pF typical
MOTIONAL CAPACITANCE C1	6.4 fF typical
AGING	+3 ppm max. per year
DELIVERY FORM	Tape & Reel (1.000 pcs per reel)
OTHER PARAMETERS ARE AVAILABLE ON REQUEST / CREATE HERE YOUR SPECIFICATION	

PART NUMBERING SYSTEM

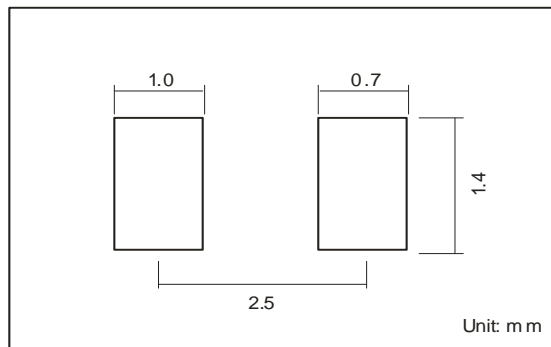
EXAMPLE	M2015 32.768 kHz +/-30 ppm -40/+85 12.5pF
----------------	---

PACKAGE	M2015
FREQUENCY	32.768 kHz
FREQUENCY TOLERANCE AT 25°C	REQUIRED VALUE
TEMPERATURE RANGE	-40/+85°C standard temperature range
LOAD CAPACITANCE	REQUIRED VALUE

OUTLINE DRAWING



RECOMMENDED LAND PATTERN



Specification dated April 2010