

# Customer Information Sheet

DRAWING No.: M22-713XXXX

SHEET 2 OF 2

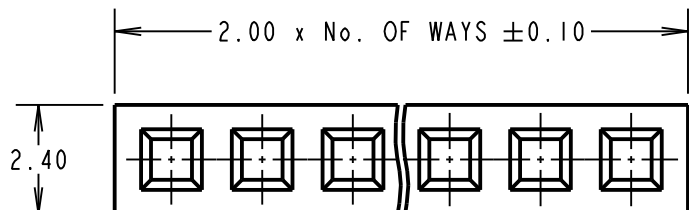
IF IN DOUBT - ASK

©

NOT TO SCALE

THIRD ANGLE PROJECTION

ALL DIMENSIONS IN mm



ORDER CODE:  
**M22-713XXXX**

No. OF WAYS \_\_\_\_\_  
03 TO 32

FINISH: \_\_\_\_\_  
42 = SELECTIVE GOLD +  
100% TIN (MATT FINISH)

**SPECIFICATION:**

**MATERIAL:**

MOULDING - LCP UL94V-0, BLACK

CONTACTS - PHOSPHOR BRONZE

**FINISH: (OVER NICKEL)**

42 = 1.27µ GOLD ON CONTACT AREA,

2.54µ 100% TIN OVER NICKEL

(MATTE FINISH) ON TAILS

**MECHANICAL:**

INSERTION FORCE - 2N MAX

WITHDRAWAL FORCE - 0.2N MIN

DURABILITY - 1000 OPERATIONS

**ELECTRICAL:**

CURRENT RATING - 1A AC/DC

VOLTAGE PROOF - 500V AC MIN

CONTACT RESISTANCE - 20 MILLIOHMS MAX

INSULATION RESISTANCE - 1000 MEGAOHMS MIN

DIELECTRIC WITHSTANDING - 500V AC FOR 1 MIN

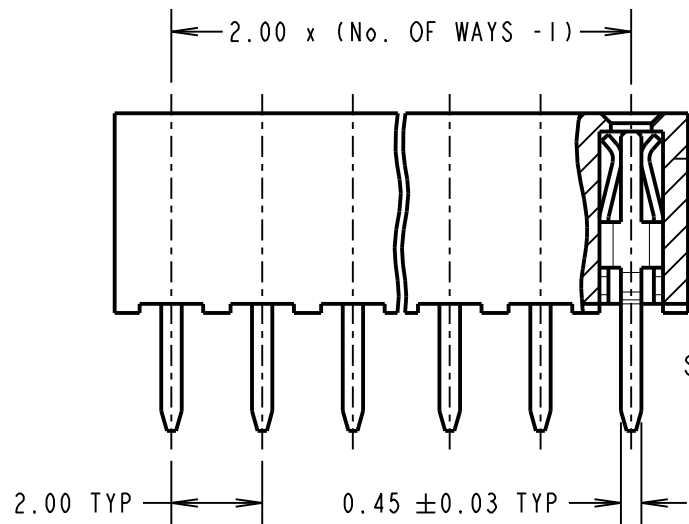
**ENVIRONMENTAL:**

TEMPERATURE RANGE = -40° TO +105°

**PACKING:**

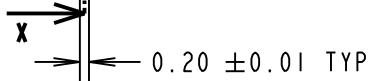
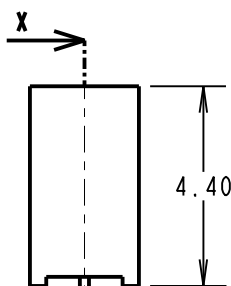
TUBE

FOR COMPLETE SPECIFICATION SEE COMPONENT SPECIFICATION C018XX (LATEST ISSUE)



PART SECTION X-X

1.00 CONTACT POINT



**NOTES:**

1. RECOMMENDED PCB HOLE SIZE =  $\varnothing$ 0.80mm

SM	6	17.09.10	10936
NAME	ISS.	DATE	C/NOTE
APPROVED: S. MCCULLAGH			
CHECKED: R. ADDE			
DRAWN: J. EVANS			
CUSTOMER REF.:			
ASSEMBLY DRG:			

**HARWIN**

HARWIN USA  
TEL: 603 893 5376  
FAX: 603 893 5396  
mis@harwin.com

HARWIN Europe (UK)  
TEL: 023 9231 4545  
FAX: 023 9231 4590  
mis@harwin.co.uk

HARWIN Asia  
TEL: +65 6 779 4909  
FAX: +65 6 779 3868  
mis@harwin.com.sg

THIS DRAWING AND ANY INFORMATION OR DESCRIPTIVE MATTER SET OUT HEREON ARE CONFIDENTIAL AND COPYRIGHT PROPERTY OF THE HARWIN GROUP AND MUST NOT BE DISCLOSED, LOANED, COPIED OR USED FOR MANUFACTURING, TENDERING OR FOR ANY OTHER PURPOSE WITHOUT THEIR WRITTEN PERMISSION.

**TOLERANCES**

X. = ±1mm  
X.X = ±0.25mm  
X.XX = ±0.10mm  
X.XXX = ±0.01mm

ANGLES = ±5°  
UNLESS STATED

**MATERIAL:**

SEE ABOVE

**FINISH:**

SEE ABOVE

**S/AREA:**

mm<sup>2</sup>

**TITLE:**

2.00mm PITCH SIL  
VERTICAL SOCKET ASSEMBLY

**DRAWING NUMBER:**

**M22-713XXXX**

SHT  
2 OF 2