

# RJ45 10/100/1000 Gigabit with Surge Protection



## N5430



- RoHS Compliant Product
- Inductance: 350 $\mu$ H Min @ 100KHz, 0.1V<sub>RMS</sub> with 8mA DC
- Hipot: 1500V<sub>RMS</sub>
- Operating Temp : -40°C to 70°C
- Custom design available

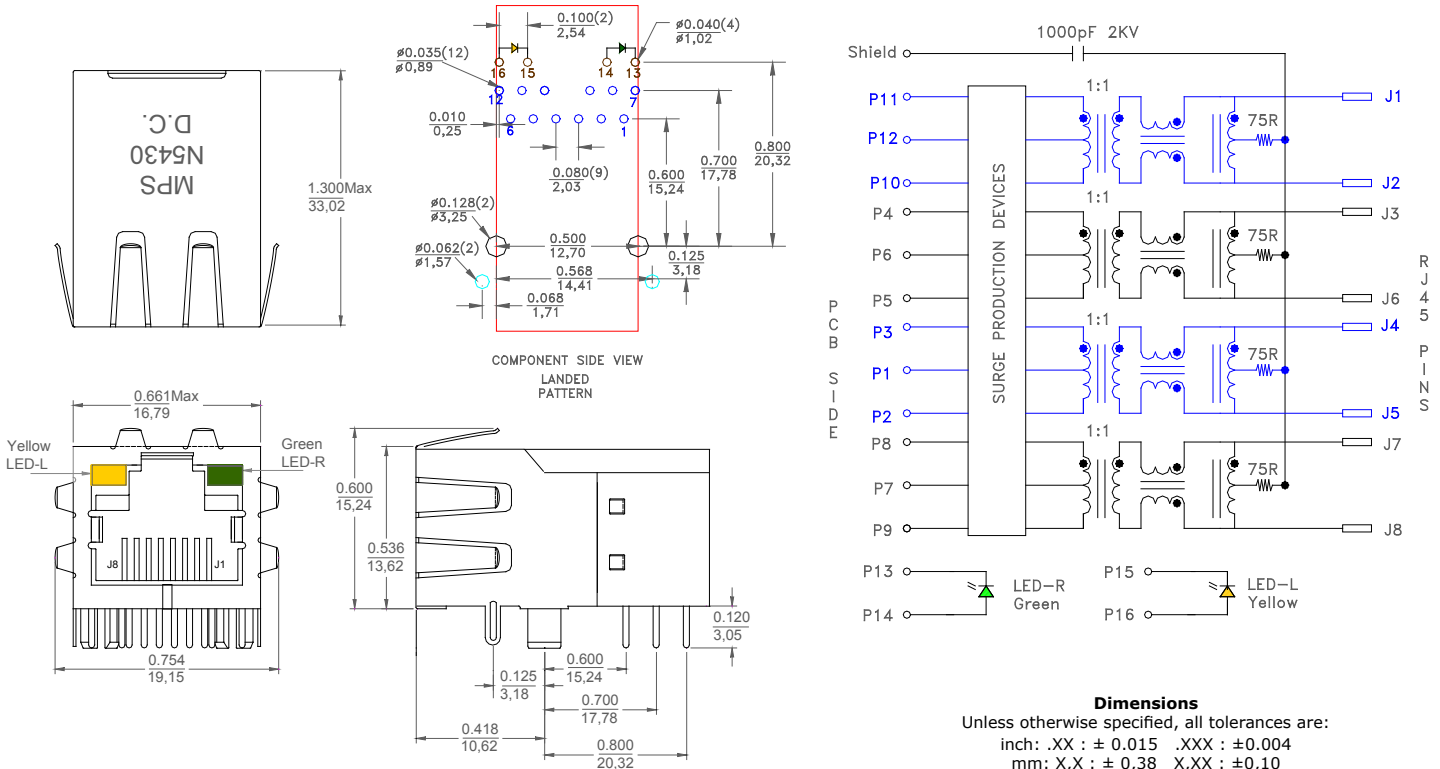
## ELECTRICAL SPECIFICATION @ 25°C

PART NO	TURNS RATIO $\pm 2\%$ Pri:Sec	INSERTION LOSS 0.1MHz-125MHz (dB) Max	RETURN LOSS (dB) Typ MHz				CROSS TALK (dB) Typ MHz			CMR (dB) Typ MHz
			1-10	30-60	60-80	80-100	1-10	30-60	60-100	
			1-10	30-60	60-100	80-100	1-10	30-60	60-100	
N5430	1:1	-1.1	-19	-13	-12	-10	-45	-32	-27	-35

## Mechanical

## Schematic

## RECOMMENDED PCB LAND PATTERN



**Dimensions**  
Unless otherwise specified, all tolerances are:  
inch: .XX :  $\pm 0.015$  .XXX :  $\pm 0.004$   
mm: X,X :  $\pm 0,38$  X,XX :  $\pm 0,10$

Product performance is limited to specified parameter. Data is subject to change without prior notice.

N5430  
07091W

13200 Estrella Ave., Bldg. B  
Gardena, CA 90248

Tel: (310) 325-1043  
Fax: (310) 325-1044

www.mpsind.com  
sales@mpsind.com