

## Product Brief

# TC358743 Camera Serial Interface Converter Chipset (HDMI to MIPI®)

### Highlights

- HDMI video and audio streams into MIPI® CSI-2 data to enable Application Processors with MIPI CSI-2 interface to process HDMI as input stream.
- Solutions are based on the latest versions of industry standards for HDMI 1.4 and MIPI CSI-2 1.01 interfaces.
- Support for common 3D formats and compatible protocols with the HDMI 1.4 standard
- Support for 1080P resolution at refresh rates of 60 fps.
- Applicable to products such as smart TVs, set-top boxes, and DVRs (digital video recorders)

### Description

The Toshiba High Definition Multimedia Interface (HDMI) to Mobile Industry Processor Interface (MIPI®) Camera Serial Interface Type 2 (CSI-2) converter chipset, designated TC358743XBG, enables a Host processor with a MIPI CSI-2 interface to accept HDMI video and audio streams and process them as incoming data source. Application Processors can generate different types of video data for internal displays, external displays, as well as analog TV and HDMI TV; but some Application Processors have limitations in handling video data as an input source. A common input interface for video streams is MIPI CSI-2, which is a high-speed serial interface to an embedded camera. The Toshiba bridge, TC358743XBG, enables HDMI video stream to be processed by the Application Processor as a CSI-2 video stream. Audio is supported and can be transmitted over CSI-2 stream or over I<sup>2</sup>S.

The maximum resolution supported is 1080P at a refresh rate of 60 fps. The bridge supports common 3D video formats and protocols compatible with the HDMI 1.4 standard. The TC358743XBG supports a MIPI

CSI-2 interface to the Host with configurable 1, 2, 3, or 4 data lanes with lane speeds of up to 1 Gbps per lane.

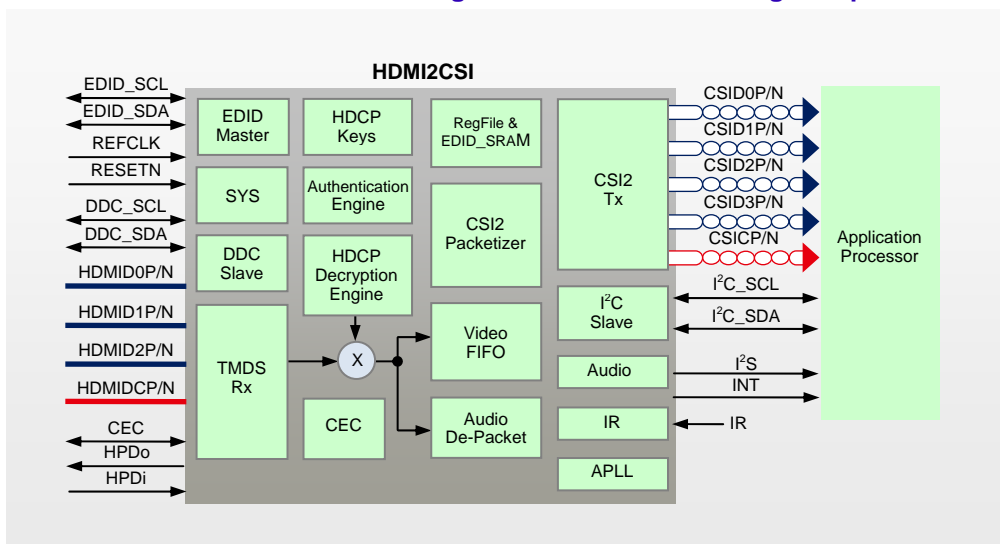
The Toshiba TC358743XBG is a 64-pin device and is optimized for the portable market. It has a small package size of 6 mm x 6 mm, 0.65 mm ball pitch. It is designed with clock and power management circuitry to support lowpower states.

### Features

#### HDMI-RX Interface

- HDMI 1.4
  - Video Formats Support (Up to 1080P)
    - RGB, YUV444: 24-bpp@60 fps
    - YUV422 24-bpp @60 fps
  - Audio Supports
    - Internal Audio PLL to track N/CTS value transmitted by the ACR packet
  - 3D support
  - Support for HDCP (High-bandwidth Digital Content Protection)
  - Support for DDC (Display Data Channel)

TC358743XBG Block Diagram: HDMI to CSI-2 Bridge Chip



- Support for EDID (Extended Display Identification Data)
  - Release A, Revision 1 (Feb 9, 2000)
  - First 128 byte (EDID 1.3 structure)
  - First E-EDID Extension: 128 bytes of CEA Extension version 3 (specified in CEA-861-D)
  - Embedded 1K-byte SRAM (EDID\_SRAM)
- Maximum HDMI clock speed: 165 MHz
- Does not support Audio Return Path and HDMI Ethernet Channels

#### CSI-2 TX Interface

- MIPI CSI-2 compliant (Version 1.01 Revision 0.04 – 2 April 2009)
  - Supports up to 4 data lanes
- Supports up to 1 Gbps per data lane
  - Video, Audio and InfoFrame data can be transmitted

#### I<sup>2</sup>C Slave Interface

- Support for normal mode (100 KHz), fast mode (400 KHz), and ultra fast mode (2 MHz)
- Configure all H2C internal registers

#### Audio Output Interface

Either I<sup>2</sup>S or TDM Audio interface available (pins are multiplexed)

#### I<sup>2</sup>S Audio Interface

- Single stereo channel
- Support Master Clock mode only
- Support 16, 18, 20 or 24-bit data (based on HDMI input stream)
- Support for left-justify or right-justify with MSB first

#### TDM (Time Division Multiplexed) Audio Interface

- Single data link
- Support Master Clock mode only
- Up to 2,4,6 or 8 channels (based on HDMI input stream)
- Support 16, 18, 20 or 24-bit PCM audio data word (based on HDMI input stream)

#### InfraRed (IR)

- Support NEC InfraRed protocol

#### Power Supply Inputs

- Core and MIPI D-PHY: 1.2V
- I/O: 1.8V – 3.3V
- HDMI: 3.3V
- APLL: 3.3V/2.5V

#### Package

- TC358743XBG: 64-pin, 6.0 x 6.0 mm, 0.65 mm ball pitch, 1.2 mm height

## Sales Offices

### North America

#### Toshiba America Electronic Components Inc

Irvine, CA                      San Jose, CA  
TEL: (949) 623-2900        TEL: (408) 526-2400

### ASIA

#### Toshiba Electronics (Shanghai) Co.,Ltd

Shanghai, China              Shenzhen, China  
TEL: (021) 6139-3888        TEL: (0755) 2399-6897

#### Toshiba Electronics Asia(Singapore) Pte. Ltd.

TEL: (6278) 5252

#### Toshiba Electronics Korea Corp.

Seoul  
TEL: (02) 3484-4334

### Europe

#### Toshiba Electronics Europe GmbH

Düsseldorf, Germany              Puteaux Cedex, France  
TEL: (0211) 5296-0                  TEL: (1) 47282181  
Farnborough, Hampshire , U.K.  
TEL: (0870) 060-2370

#### Toshiba Electronics Asia Ltd

Hong Kong  
TEL:2375-6111

#### Toshiba Electronics Taiwan Corp.

Taipei City  
TEL: (02) 2508-9988:

## RESTRICTIONS ON PRODUCT USE

- This document and any information herein may not be reproduced without prior written permission from TOSHIBA. Even with TOSHIBA's written permission, reproduction is permissible only if reproduction is without alteration/omission.
- Toshiba Corporation, and its subsidiaries and affiliates (collectively "TOSHIBA"), reserve the right to make changes to the information in this document, and related hardware, software and systems (collectively "Product") without notice.
- Though TOSHIBA works continually to improve Product's quality and reliability, Product can malfunction or fail. Customers are responsible for complying with safety standards and for providing adequate designs and safeguards for their hardware, software and systems which minimize risk and avoid situations in which a malfunction or failure of Product could cause loss of human life, bodily injury or damage to property, including data loss or corruption. Before customers use the Product, create designs including the Product, or incorporate the Product into their own applications, customers must also refer to and comply with (a) the latest versions of all relevant TOSHIBA information, including without limitation, this document, the specifications, the data sheets and application notes for Product and the precautions and conditions set forth in the "TOSHIBA Semiconductor Reliability Handbook" and (b) the instructions for the application with which the Product will be used with or for. Customers are solely responsible for all aspects of their own product design or applications, including but not limited to (a) determining the appropriateness of the use of this Product in such design or applications; (b) evaluating and determining the applicability of any information contained in this document, or in charts, diagrams, programs, algorithms, sample application circuits, or any other referenced documents; and (c) validating all operating parameters for such designs and applications. **TOSHIBA ASSUMES NO LIABILITY FOR CUSTOMERS' PRODUCT DESIGN OR APPLICATIONS.**
- Product is intended for use in general electronics applications (e.g., computers, personal equipment, office equipment, measuring equipment, industrial robots and home electronics appliances) or for specific applications as expressly stated in this document. Product is neither intended nor warranted for use in equipment or systems that require extraordinarily high levels of quality and/or reliability and/or a malfunction or failure of which may cause loss of human life, bodily injury, serious property damage or serious public impact ("Unintended Use"). Unintended Use includes, without limitation, equipment used in nuclear facilities, equipment used in the aerospace industry, medical equipment, equipment used for automobiles, trains, ships and other transportation, traffic signaling equipment, equipment used to control combustions or explosions, safety devices, elevators and escalators, devices related to electric power, and equipment used in finance-related fields. Do not use Product for Unintended Use unless specifically permitted in this document.
- Do not disassemble, analyze, reverse-engineer, alter, modify, translate or copy Product, whether in whole or in part.
- Product shall not be used for or incorporated into any products or systems whose manufacture, use, or sale is prohibited under any applicable laws or regulations.
- The information contained herein is presented only as guidance for Product use. No responsibility is assumed by TOSHIBA for any infringement of patents or any other intellectual property rights of third parties that may result from the use of Product. No license to any intellectual property right is granted by this document, whether express or implied, by estoppel or otherwise.
- **ABSENT A WRITTEN SIGNED AGREEMENT, EXCEPT AS PROVIDED IN THE RELEVANT TERMS AND CONDITIONS OF SALE FOR PRODUCT, AND TO THE MAXIMUM EXTENT ALLOWABLE BY LAW, TOSHIBA (1) ASSUMES NO LIABILITY WHATSOEVER, INCLUDING WITHOUT LIMITATION, INDIRECT, CONSEQUENTIAL, SPECIAL, OR INCIDENTAL DAMAGES OR LOSS, INCLUDING WITHOUT LIMITATION, LOSS OF PROFITS, LOSS OF OPPORTUNITIES, BUSINESS INTERRUPTION AND LOSS OF DATA, AND (2) DISCLAIMS ANY AND ALL EXPRESS OR IMPLIED WARRANTIES AND CONDITIONS RELATED TO SALE, USE OF PRODUCT, OR INFORMATION, INCLUDING WARRANTIES OR CONDITIONS OF MERCHANTABILITY, FITNESS FOR A PARTICULAR PURPOSE, ACCURACY OF INFORMATION, OR NONINFRINGEMENT.**
- Do not use or otherwise make available Product or related software or technology for any military purposes, including without limitation, for the design, development, use, stockpiling or manufacturing of nuclear, chemical, or biological weapons or missile technology products (mass destruction weapons). Product and related software and technology may be controlled under the Japanese Foreign Exchange and Foreign Trade Law and the U.S. Export Administration Regulations. Export and re-export of Product or related software or technology are strictly prohibited except in compliance with all applicable export laws and regulations.
- Please contact your TOSHIBA sales representative for details as to environmental matters such as the RoHS compatibility of Product. Please use Product in compliance with all applicable laws and regulations that regulate the inclusion or use of controlled substances, including without limitation, the EU RoHS Directive. TOSHIBA assumes no liability for damages or losses occurring as a result of noncompliance with applicable laws and regulations.