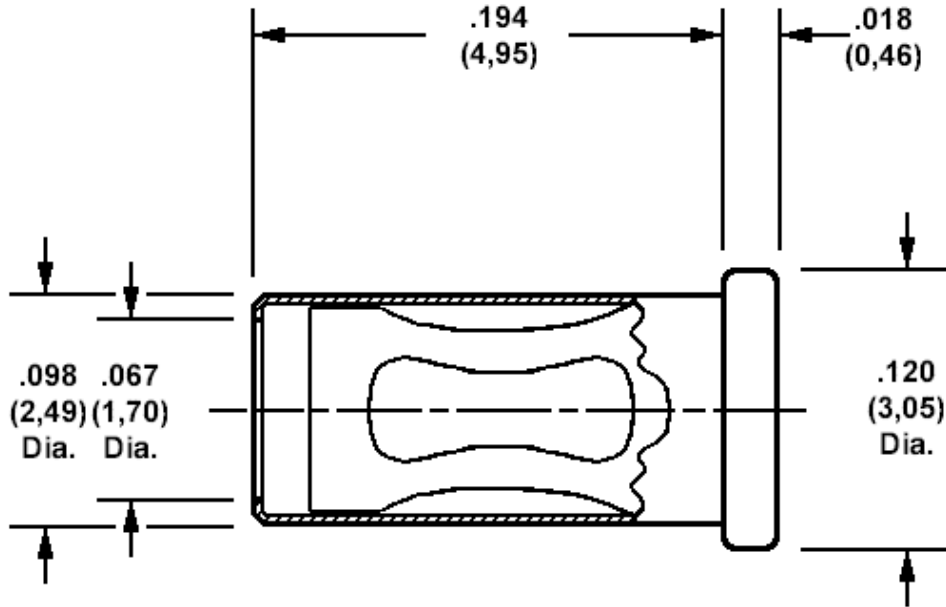


## 450-1813 Solder mount, through hole socket, for .059 (1,52) to .062 (1,57) diameter pins

Recommended mounting hole .102 (2,59) ±.002 (0,05), #38 drill



Through hole .067 (1,70)

How to order code  
**450-1813-01-XX-00**  
 Basic Part No XX = Finish

MATERIALS				
Component	Material	Finish(-03)	Finish(-04)	Finish(-06)
Body	Brass	Gold over Nickel	Tin	Tin
Spring	Beryllium copper	Gold over Nickel	Tin	Gold over Nickel