

PLEASE CHECK WWW.MOLEX.COM FOR LATEST PART INFORMATION

Part Number: [0674903220](#)
Status: **Active**
Overview: [serial_ata_products](#)
Description: 1.27mm (.050") Pitch Serial ATA Header, Reverse Type, Surface Mount, Right Angle, 7 Circuits, without Mylar, Gold (Au) Flash, Tray Package, Lead-free

Documents:

[3D Model](#) [Product Specification PS-67490-001 \(PDF\)](#)
[Drawing \(PDF\)](#) [RoHS Certificate of Compliance \(PDF\)](#)

General

Product Family	PCB Headers
Series	67490
Application	Board-to-Board, Wire-to-Board
Comments	Reverse Type Without Mylar
Overview	serial_ata_products
Product Name	Serial ATA

Physical

Breakaway	No
Circuits (Loaded)	7
Circuits (maximum)	7
Color - Resin	Black
Durability (mating cycles max)	50
First Mate / Last Break	Yes
Glow-Wire Compliant	No
Guide to Mating Part	Yes
Keying to Mating Part	Yes
Lock to Mating Part	No
Material - Plating Mating	Gold
Material - Plating Termination	Tin
Material - Resin	High Temperature Thermoplastic
Number of Rows	1
Orientation	Right Angle
PCB Locator	No
PCB Retention	Yes
PCB Thickness Recommended (in)	0.062 In
PCB Thickness Recommended (mm)	1.60 mm
Packaging Type	Tray
Pitch - Mating Interface (in)	0.050 In
Pitch - Mating Interface (mm)	1.27 mm
Pitch - Term. Interface (in)	0.050 In
Pitch - Term. Interface (mm)	1.27 mm
Plating min: Mating (µin)	2
Plating min: Mating (µm)	0.05
Plating min: Termination (µin)	50.8
Plating min: Termination (µm)	1.27
Polarized to Mating Part	No
Shrouded	No
Stackable	No
Temperature Range - Operating	-35°C to +85°C
Termination Interface: Style	Surface Mount

Electrical

Current - Maximum per Contact	1.5A
Voltage - Maximum	15V DC

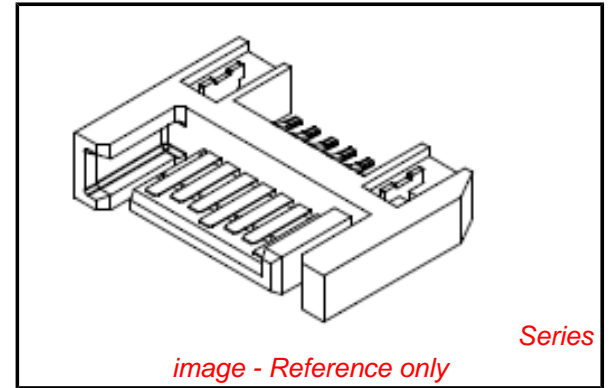


image - Reference only

EU RoHS

**ELV and RoHS
Compliant**

REACH SVHC

Contains SVHC: No

Halogen-Free

Status

Halogen-Free

China RoHS



**Need more information on product
environmental compliance?**

Email productcompliance@molex.com
 For a multiple part number RoHS Certificate of Compliance, [click here](#)

Please visit the [Contact Us](#) section for any non-product compliance questions.

Search Parts in this Series

[67490Series](#)

Mates With

Serial ATA Signal Connector [67489](#) , [88755](#)

Solder Process Data

Lead-free Process Capability
Process Temperature max. C

Reflow Capable (SMT only)
235

Material Info**Reference - Drawing Numbers**

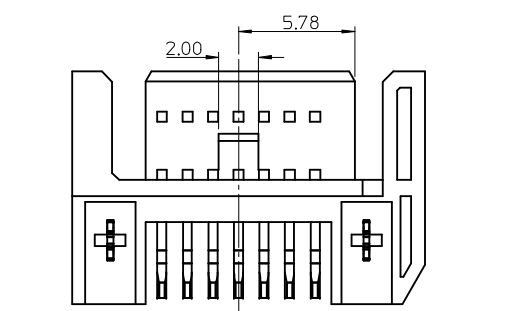
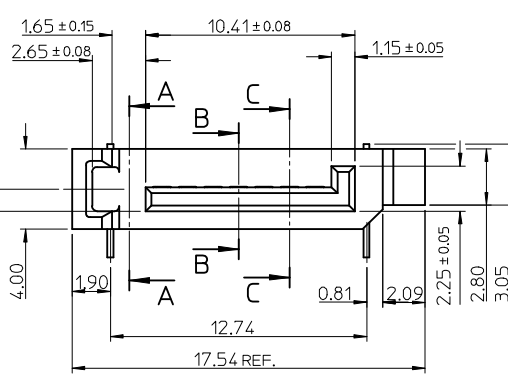
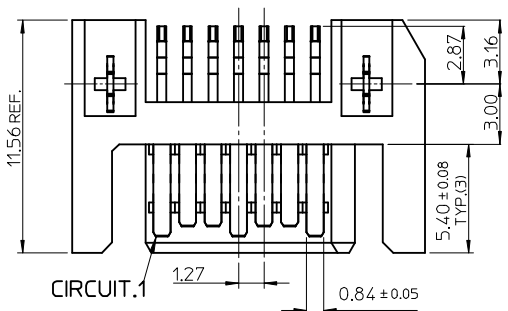
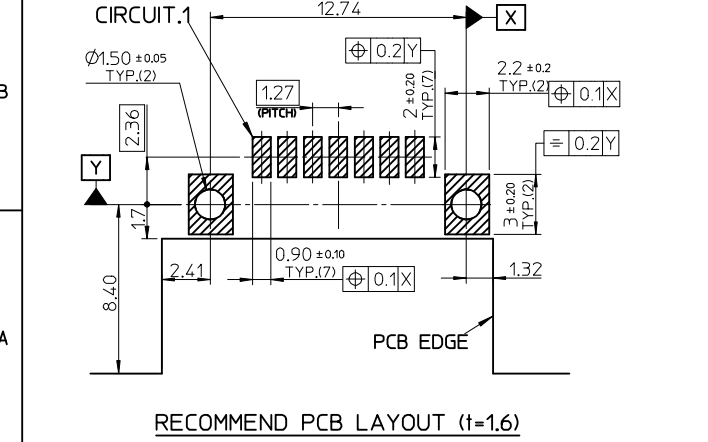
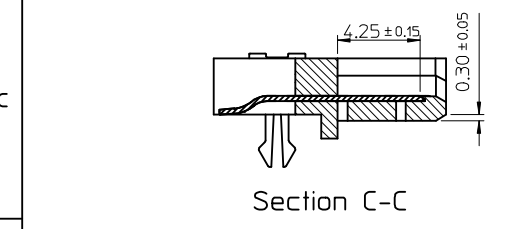
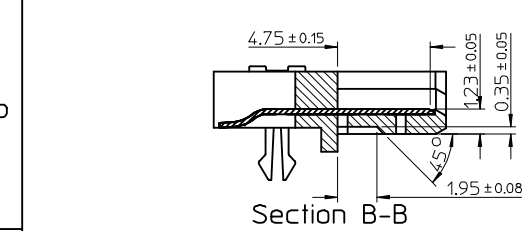
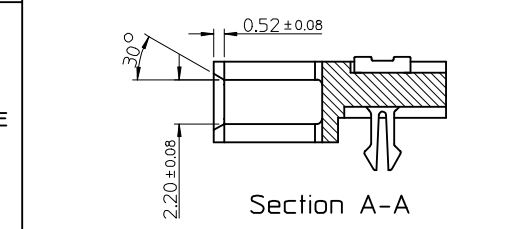
Packaging Specification
Product Specification
Sales Drawing

PK-67490-001
PS-67490-001
SD-67490-001

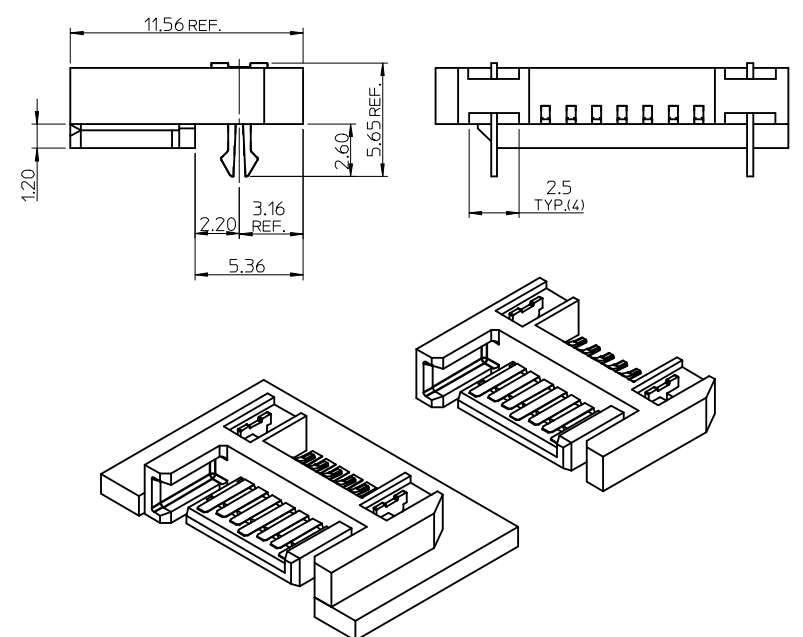
This document was generated on 05/25/2010

PLEASE CHECK WWW.MOLEX.COM FOR LATEST PART INFORMATION

P/N	CONTACT AREA PLATING	REMARK	△PACKAGE
67490-3220	GOLD FLASH		
67490-3221	0.76 MICRONS GOLD PLATED	PURE TIN	PK-67490-001 (TRAY)
67490-3225	0.38 MICRONS GOLD PLATED		
67490-3230	GOLD FLASH		
67490-3231	0.76 MICRONS GOLD PLATED	PURE TIN	PK-67490-005 (TAPE&REEL)
67490-3235	0.38 MICRONS GOLD PLATED		



- NOTES:
- MATERIAL:
HOUSING: HIGH TEMPERATURE THERMAL PLASTIC
GLASS FILLED, UL94V-0, COLOR: BLACK
TERMINAL/FORKLOCK: COPPER ALLOY
MYLAR: ADHENSIVE MYLAR 4.5MM X 15.5MM
 - TERMINAL PLATING:
CONTACT AREA: GOLD PLATED
SOLDERING TAIL: 1.27 MICRONS MINIMUM TIN PLATED
UNDER PLATE: NICKEL 1.27 MICRONS MINIMUM NICKEL PLATED
 - FORKLOCK PLATING:
1.27 MICRONS MINIMUM TIN PLATED OVERALL 1.27 MICRONS MINIMUM NICKEL UNDER-PLATED
 - △PACKAGING SPECIFICATION REFER TO PK-67490-00*
 - PRODUCT SPECIFICATION REFER TO PS-67490-001
 - MATING PART: 67538,67489
 - PRODUCT COMPLIANT TO RoHS DIRECTIVE 2002/95/EC AND ELV 2000/53/EC.



ADD PART NUMBER EC NO: SH2008-0665 DRWN: LSONG09 2008/08/07 CHKD: XJ SONG 2008/08/13 APPR: HWANG 2008/09/01	QUALITY SYMBOLS ▽=0 ◻=0	GENERAL TOLERANCES (UNLESS SPECIFIED)		DIMENSION STYLE MM ONLY	SCALE 4:1	DESIGN UNITS METRIC	THIRD ANGLE PROJECTION		
		4 PLACES ± --- ± --- 3 PLACES ± --- ± --- 2 PLACES ± 0.15 ± --- 1 PLACE ± 0.25 ± ---	mm INCH --- --- --- --- --- --- --- ---	DRAWN BY RICHARD	DATE '01/05/28	TITLE SATA SYSTEM PLUG R/A REVERSE TYPE			
		ANGULAR ± 3 °		CHECKED BY VINCENT	DATE '01/05/28	MOLEX INCORPORATED			
		DRAFT WHERE APPLICABLE MUST REMAIN WITHIN DIMENSIONS		APPROVED BY ERICK	DATE '01/05/28	MATERIAL NO. SEE TABLE	DOCUMENT NO. SD-67490-001	SHEET NO. 1 OF 1	