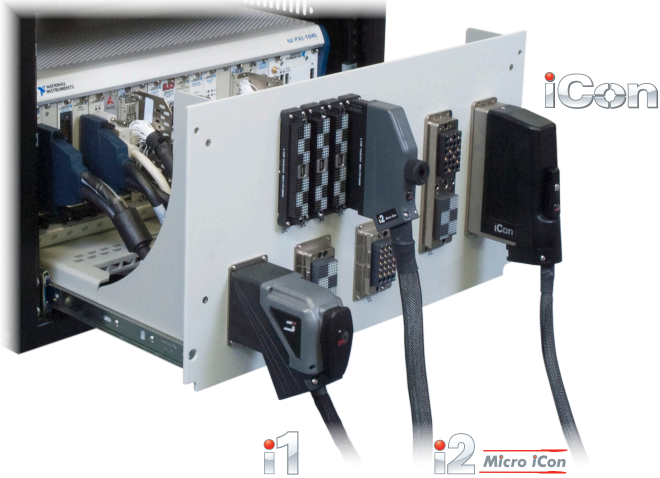
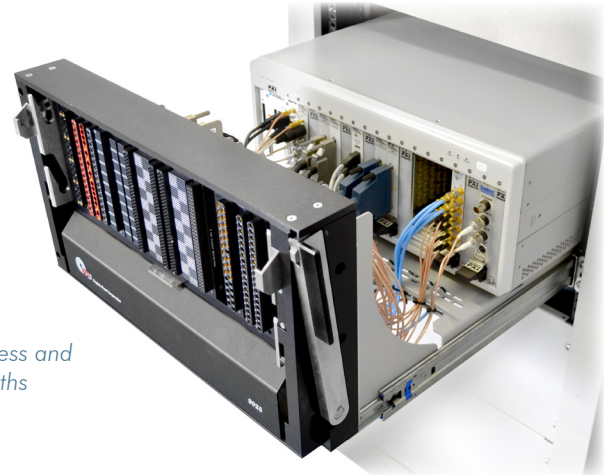




Easy access Fixed Mount Slide Configuration

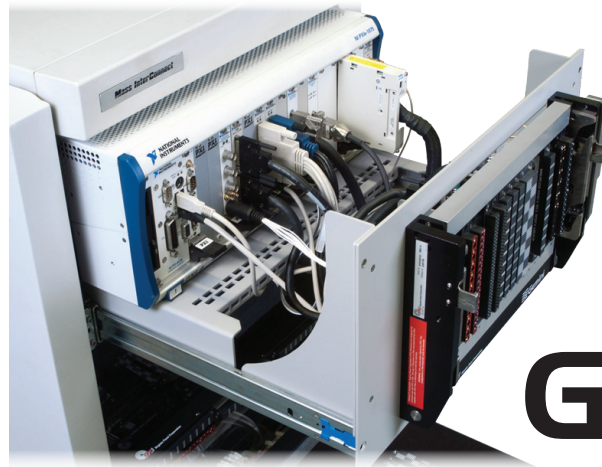


Ease of cable access and shorter cable lengths



9025

A high performance slide kit accessory developed for the Test & Measurement industry.



Flush rack mount

G¹⁸

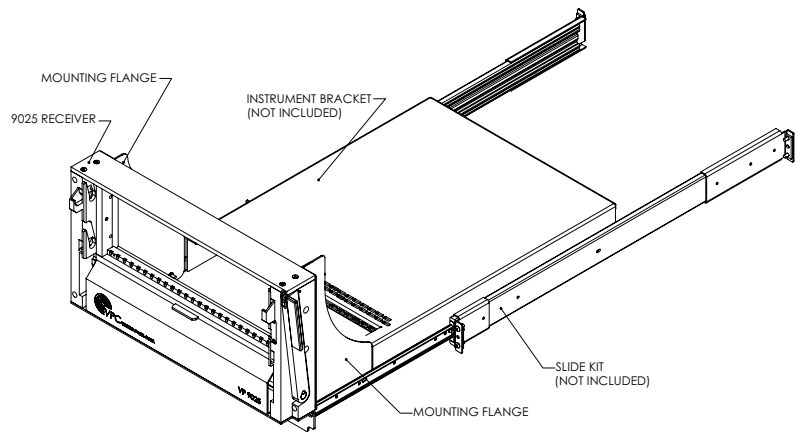
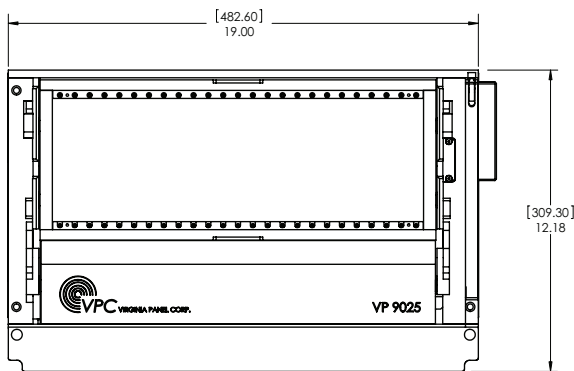


G¹⁰

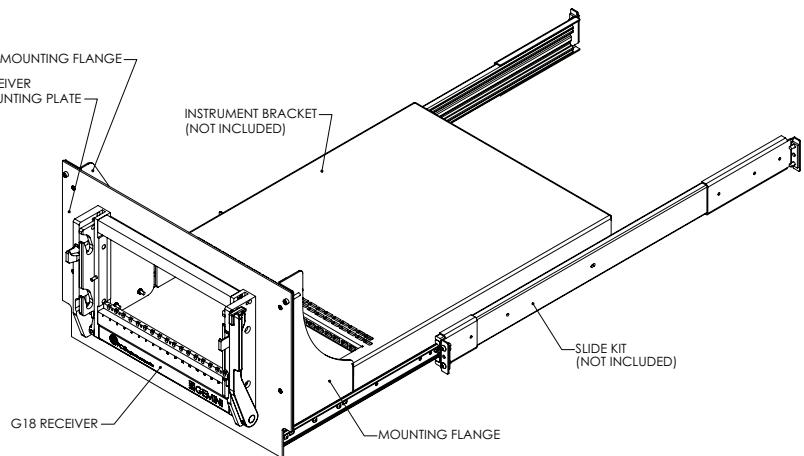
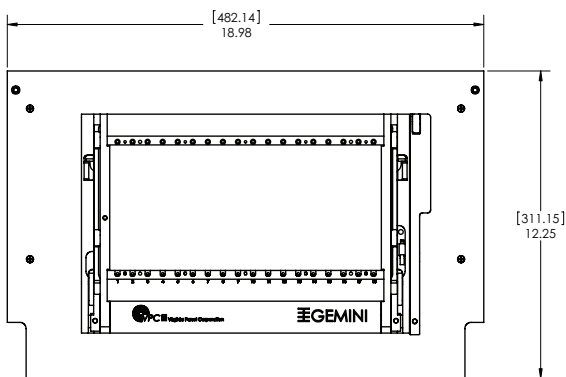
Features and Benefits

- Increases ease of accessing wires and chassis
- Decreases chance of pinched wires and loss of signal integrity
- Enables shorter cable length
- Slides support up to 180 lbs
- Easy to configure packages

9025 Slide Kit Package ▼



G18/G10 Slide Kit Package ▼



Part

Description

RECEIVERS

310 104 387	Receiver, 9025, 25 Module, with Slide Mounting Kit (slide kit required)
310 120 141	Receiver, G18, 18 Module, with Slide Mounting Kit (slide kit required)
310 120 146	Receiver, G10, 10 Module, with Slide Mounting Kit (slide kit required)
310 113 585	Mounting Plate, Blank, 6U, with Slide Mounting Kit (slide kit required)

ITAs

410 104 111	ITA, 9025, 25 Module, Single Tier
410 120 111	ITA, G18, 18 Module
410 104 272	ITA with Removable Cover, G10, 10 Module, with Protective Cover
410 104 375	ITA, G10, 10 Module

SLIDE KITS

310 113 451	28" Slide Kit, Fits 26"-30" Deep Racks, Supports 180 lbs.
310 113 411	30" Slide Kit, Fits 28"-32" Deep Racks, Supports 180 lbs.
310 113 500	36" Slide Kit, Fits 34"-38" Deep Racks, Supports 180 lbs.

ACCESSORIES

310 113 163	Protective Cover, 9025, 9025VXI, 9025TR, Receiver
310 113 327	Protective Cover, G18, Receiver
310 113 154	Protective Cover, G10, Receiver
310 113 507	Instrument Bracket with Strain Relief Kit