

**PLEASE CHECK WWW.MOLEX.COM FOR LATEST PART INFORMATION**

**Part Number:** [0399900402](#)  
**Status:** **Active**  
**Description:** 5.00mm (.197") Pitch Beau™ Eurostyle™ Surface Mount Compatible Locking Header, 2 Circuits

**Documents:**

[3D Model](#) [RoHS Certificate of Compliance \(PDF\)](#)  
[Drawing \(PDF\)](#)

**Agency Certification**

UL E48521

**General**

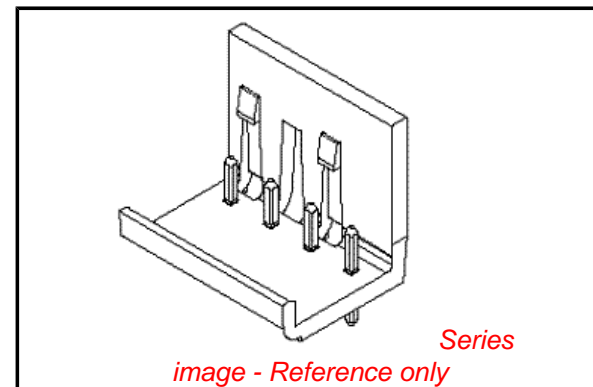
Product Family	Terminal Blocks
Series	<a href="#">39990</a>
Application	Wire-to-Board
Comments	Gold plating available
Component Type	PCB Header
Product Literature Order No	USA-267
Product Name	Eurostyle™ Pluggable
Type	Euro Block

**Physical**

Circuits (Loaded)	2
Color - Resin	Black
Entry Angle	N/A
Flammability	94V-0
Lock to Mating Part	Yes
Material - Plating Mating	Tin
Material - Plating Termination	Tin
Material - Resin	Nylon
Number of Rows	1
Orientation	Vertical
PC Tail Length (in)	0.150 In
PC Tail Length (mm)	3.80 mm
PCB Retention	None
PCB Thickness Recommended (in)	0.062 In
PCB Thickness Recommended (mm)	1.60 mm
Panel Mount	No
Pitch - Mating Interface (in)	0.197 In
Pitch - Mating Interface (mm)	5.00 mm
Pitch - Term. Interface (in)	0.197 In
Pitch - Term. Interface (mm)	5.00 mm
Plating min: Mating (µin)	150
Plating min: Mating (µm)	3.75
Plating min: Termination (µin)	150
Plating min: Termination (µm)	3.75
Polarized to Mating Part	Yes
Shrouded	No
Stackable	No
Surface Mount Compatible (SMC)	No
Temperature Range - Operating	140°C
Wire Size AWG	N/A

**Electrical**

Current - Maximum per Contact 10A



**EU RoHS**

**ELV and RoHS  
Compliant**  
**REACH SVHC**  
 Not Reviewed  
**Halogen-Free  
Status**  
 Not Reviewed

**China RoHS**



**Need more information on product  
environmental compliance?**

Email [productcompliance@molex.com](mailto:productcompliance@molex.com)  
 For a multiple part number RoHS Certificate of Compliance, [click here](#)

Please visit the [Contact Us](#) section for any non-product compliance questions.

**Search Parts in this Series**

[39990Series](#)

**Mates With**

[39990-0302 Screw Clamp Plug](#)

Voltage - Maximum

300V

**Material Info**

Old Part Number

991502

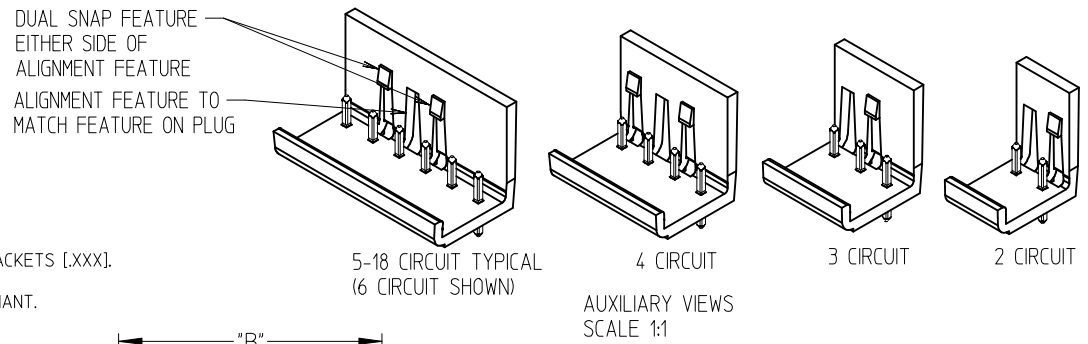
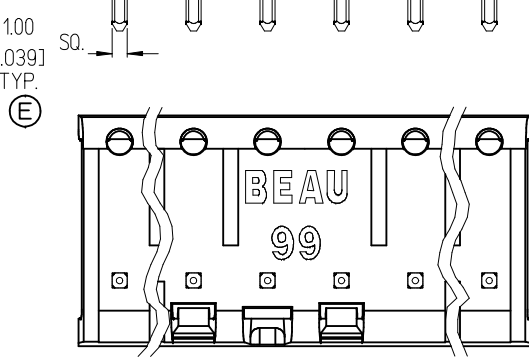
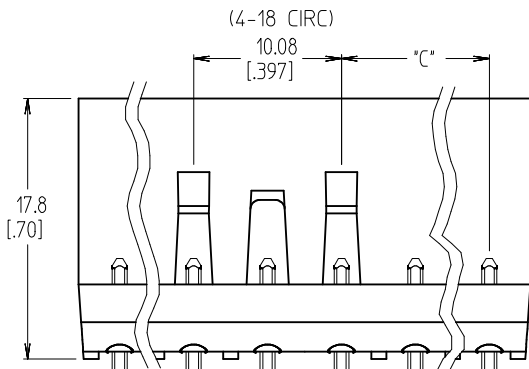
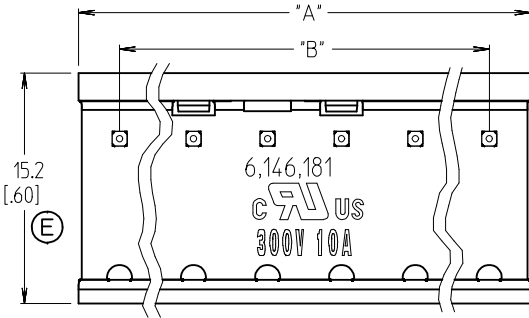
**Reference - Drawing Numbers**

Sales Drawing

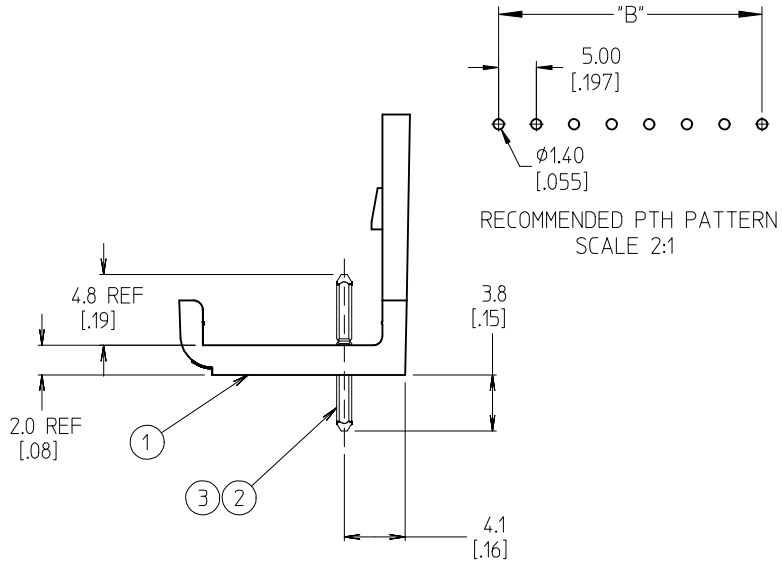
SD-39990-002

This document was generated on 04/27/2010

**PLEASE CHECK [WWW.MOLEX.COM](http://WWW.MOLEX.COM) FOR LATEST PART INFORMATION**



- NOTES:
1. MATERIAL: SEE TABLE
  2. FINISHES: SEE TABLE
  3. PRODUCT SPECIFICATION: PPS.98.002
  4. MATES WITH: 99 SERIES PLUG
  5. INCH DIMENSIONS ARE SHOWN IN BRACKETS [XXX].
  6. "XX" REFERS TO QTY OF CIRCUITS
  7. ALL COMPONENTS ARE ROHS COMPLIANT.



ASSEMBLY MATERIAL NO. (STANDARD)	ASSEMBLY MATERIAL NO. (-G30 OPTION)	NUMBER OF CIRCUITS "XX"	DIM. "A"	DIM. "B"	DIM. "C" ±.013
399900402	399910402	02	10.59 [.417]	5.00 [.197]	N/A
399900403	399910403	03	15.60 [.614]	10.00 [.394]	5.00 [.197]
399900404	399910404	04	20.60 [.811]	15.00 [.591]	5.00 [.197]
399900405	399910405	05	25.60 [1.008]	20.00 [.787]	5.00 [.197]
399900406	399910406	06	30.61 [1.205]	25.00 [.984]	10.00 [.394]
399900407	399910407	07	35.61 [1.402]	30.00 [1.181]	10.00 [.394]
399900408	399910408	08	40.61 [1.599]	35.00 [1.378]	15.00 [.591]
399900409	399910409	09	45.62 [1.796]	40.00 [1.575]	15.00 [.591]
399900410	399910410	10	50.62 [1.993]	45.00 [1.772]	20.00 [.787]
399900411	399910411	11	55.63 [2.190]	50.00 [1.968]	20.00 [.787]
399900412	399910412	12	60.63 [2.387]	55.00 [2.165]	25.00 [.984]
399900413	399910413	13	65.63 [2.584]	60.00 [2.362]	25.00 [.984]
399900414	399910414	14	70.64 [2.781]	65.00 [2.559]	30.00 [1.181]
399900415	399910415	15	75.64 [2.978]	70.00 [2.756]	30.00 [1.181]
399900416	399910416	16	80.65 [3.175]	75.00 [2.953]	35.00 [1.378]
399900417	399910417	17	85.65 [3.372]	80.00 [3.150]	35.00 [1.378]
399900418	399910418	18	90.65 [3.569]	85.00 [3.346]	40.00 [1.575]

ITEM	QTY	DESCRIPTION	MATERIAL	FINISH
3	XX	HEADER PIN (-G30 OPTION)	BRASS	GOLD
2	XX	HEADER PIN (STANDARD)	BRASS	TIN
1		MOLDING	NYLON	BLACK

WIDTH WAS .62/IS .60 EC NO: WNA2009-0464 DRW:NYLOR 2009/02/03 CHKD:REROSS 2009/02/05 APPR:REROSS 2009/02/09	QUALITY SYMBOLS ▽=0 ▽=0	GENERAL TOLERANCES (UNLESS SPECIFIED) mm INCH 4 PLACES ± --- ± --- 3 PLACES ± --- ± .005 2 PLACES ± 0.13 ± .01 1 PLACE ± 0.3 ± --- ANGULAR ± 2 °	DIMENSION STYLE MM/IN DRAWN BY DATE C. YORK 2003/08/12 CHECKED BY DATE P. WALTZ 2003/12/04 APPROVED BY DATE G. ROBERTSON 2003/12/08	SCALE 3:1 DESIGN UNITS INCH THIRD ANGLE PROJECTION
	DRAFT WHERE APPLICABLE MUST REMAIN WITHIN DIMENSIONS		MATERIAL NO. SEE CHART	TITLE 5.00/.197 SINGLE ROW EUROSTYLE HEADER ASSEMBLY
			DOCUMENT NO. SD-39990-002	SHEET NO. 1 OF 1
	THIS DRAWING CONTAINS INFORMATION THAT IS PROPRIETARY TO MOLEX INCORPORATED AND SHOULD NOT BE USED WITHOUT WRITTEN PERMISSION			