



Frontier Electronics Corp.

667 E. COCHRAN STREET, SIMI VALLEY, CA 93065
 TEL: (805) 522-9998 FAX: (805) 522-9989
 E-mail: frontiersales@frontierusa.com
 Web: <http://www.frontierusa.com>

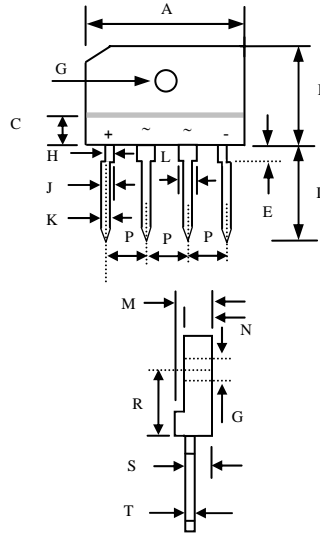
4A BRIDGE RECTIFIERS BJ4-005 THRU BJ4-10

FEATURES

- DIFFUSED JUNCTION
- LOW FORWARD VOLTAGE DROP
- HIGH CURRENT CAPABILITY
- HIGH SURGE CURRENT CAPABILITY
- IDEAL FOR PRINTED CIRCUIT BOARDS

MECHANICAL DATA

- CASE: MOLDED PLASTIC
- DIMENSIONS IN INCHES AND (MILLIMETERS)
- TERMINALS: PLATED LEADS SOLDERABLE PER MIL-STD-202, METHOD 208V
- POLARITY: AS MARKED ON BODY
- WEIGHT: 4.0 GRAMS
- MOUNTING POSITION: ANY
- MARKING: TYPE NUMBER



BJ - 4		
Dim	Min	Max
A	24.7	25.3
B	14.7	15.3
C	-	4.0
D	17.0	18.0
E	3.3	3.7
G	3.1Ø	3.4Ø
H	1.05	1.45
J	1.7	2.1
K	0.9	1.1
L	1.5	1.9
M	4.8	5.16
N	3.8	4.4
P	7.3	7.7
R	9.3	9.7
S	3.4	3.9
T	0.6	0.8

All Dimensions In mm

MAXIMUM RATINGS AND ELECTRICAL CHARACTERISTICS RATINGS AT 25°C AMBIENT TEMPERATURE UNLESS OTHERWISE SPECIFIED SINGLE PHASE, HALF WAVE, 60 HZ, RESISTIVE OR INDUCTIVE LOAD. FOR CAPACITIVE LOAD, DERATE CURRENT BY 20%

RATINGS	SYMBOL	BJ4-005	BJ4-01	BJ4-02	BJ4-04	BJ4-06	BJ4-08	BJ4-10	UNITS
MAXIMUM RECURRENT PEAK REVERSE VOLTAGE	V_{RRM}	50	100	200	400	600	800	1000	V
MAXIMUM RMS VOLTAGE	V_{RMS}	35	70	140	280	420	560	700	V
MAXIMUM DC BLOCKING VOLTAGE	V_{DC}	50	100	200	400	600	800	1000	V
AVERAGE RECTIFIED OUTPUT CURRENT @ $T_c = 75^\circ C$ (NOTE 1)	I_o	4.0							A
NON-REPETITIVE PEAK FORWARD SURGE CURRENT 8.3MS SINGLE HALF SINE-WAVE SUPERIMPOSED ON RATED LOAD (JEDEC METHOD)	I_{FSM}	200							A
FORWARD VOLTAGE (3PER ELEMENT) @ $I_F = 2.0 A$	V_{FM}	1.0							V
PACK REVERSE CURRENT @ $T_a = 25^\circ C$	I_r	5							μA
AT RATED DC BLOCKING VOLTAGE @ $T_c = 100^\circ C$		200							
OPERATING AND STORAGE TEMPERATURE RANGE	T_j, T_{STG}	- 55 TO + 150							$^\circ C$

NOTE: 1. DEVICE MOUNTED ON 7.5 x 7.5 x 0.8cm THICK AL PLATE HEAT SINK

RATINGS AND CHARACTERISTIC CURVES BJ4-005 THRU BJ4-10

FIG. 1 - DERATING CURVE FOR OUTPUT RECTIFIED CURRENT

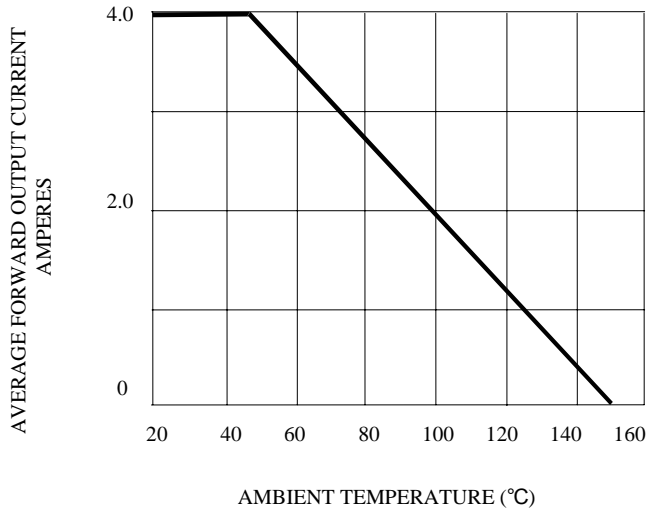


FIG. 2 - DERATING CURVE FOR OUTPUT RECTIFIED CURRENT

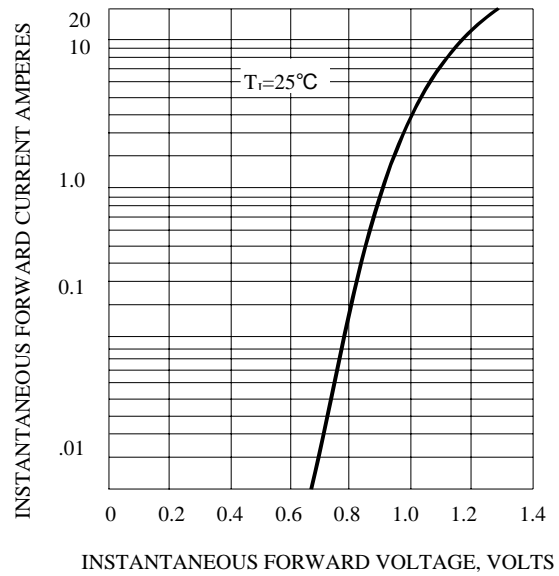


FIG. 3 - TYPICAL FORWARD CHARACTERISTICS

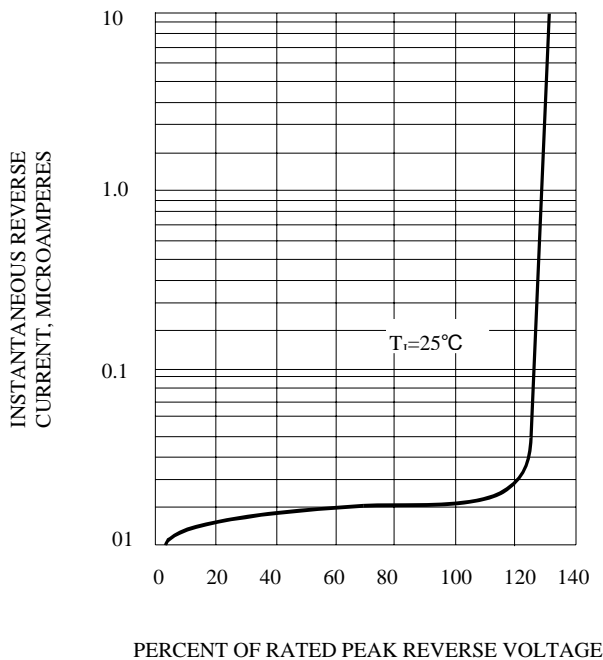


FIG. 4 - MAXIMUM FORWARD SURGE CURRENT

