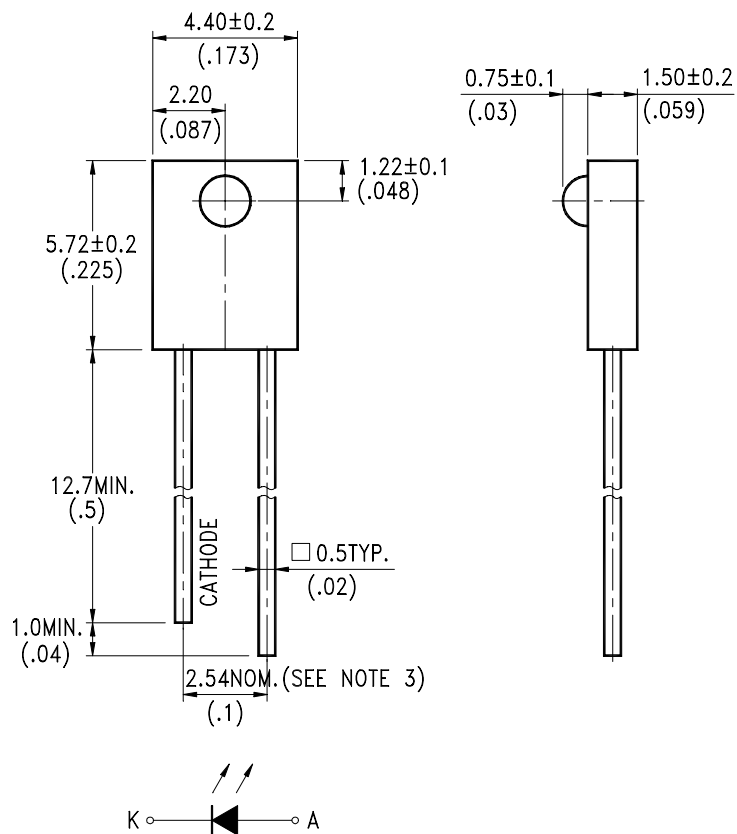


FEATURES

- * SELECTED TO SPECIFIC ON-LINE INTENSITY AND RADIANT INTENSITY RANGES
- * LOW COST MINIATURE PLASTIC SIDE LOOKING PACKAGE
- * MECHANICALLY AND SPECTRALLY MATCHED TO THE LTR-301 SERIES OF PHOTOTRANSISTOR

PACKAGE DIMENSIONS



NOTES:

1. All dimensions are in millimeters (inches).
2. Tolerance is ± 0.25 mm (.010") unless otherwise noted.
3. Lead spacing is measured where the leads emerge from the package.
4. Specifications are subject to change without notice.



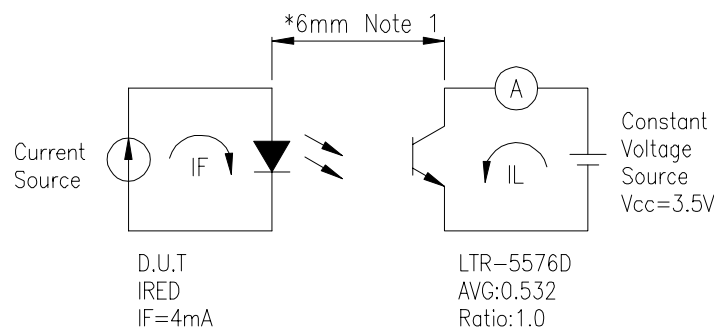
ABSOLUTE MAXIMUM RATINGS AT TA=25

PARAMETER	MAXIMUM RATING	UNIT
Power Dissipation	75	mW
Peak Forward Current (300pps, 10 μ s pulse)	1	A
Continuous Forward Current	50	mA
Reverse Voltage	5	V
Operating Temperature Range	-40 to + 85	
Storage Temperature Range	-55 to + 100	
Lead Soldering Temperature [1.6mm(.063") From Body]	260 for 5 Seconds	

ELECTRICAL / OPTICAL CHARACTERISTICS AT TA=25

PARAMETER	SYMBOL	MIN.	TYP.	MAX.	UNIT	TEST COND.	BIN NO.	Color Marking
Peak Emission Wavelength	P		940		nm	I _F = 20mA		
Spectral Line Half-Width			50		nm	I _F = 20mA		
Forward Voltage	V _F		1.2	1.6	V	I _F = 20mA		
Reverse Current	I _R			100	μA	V _R = 5V		
Average Axis Intensity (Light Current) Setting of LITE-ON Production (I _{L1} +I _{L2})/2)	I _L	0.55		0.65	mA	I _F = 4mA V _{CC} =3.5V	BIN F	Red
		0.65		0.75			BIN G	Gold
		0.75		0.85			BIN H	Silver
		0.85		0.95			BIN I	Yellow
		0.95		1.05			BIN J	Purple
		1.05		1.15			BIN K	Orange
		1.15		1.25			BIN L	Pink
		1.25		1.35			BIN M	Brown
Average Axis Intensity (Light Current) Q.C Limits (I _{L1} +I _{L2})/2)	I _L	0.44		0.78	mA	I _F = 4mA V _{CC} =3.5V	BIN F	Red
		0.52		0.90			BIN G	Gold
		0.60		1.02			BIN H	Silver
		0.68		1.14			BIN I	Yellow
		0.76		1.26			BIN J	Purple
		0.84		1.38			BIN K	Orange
		0.92		1.50			BIN L	Pink
		1.00		1.62			BIN M	Brown
Viewing Angle (See FIG.6)	2 1/2		40		deg.			

INFRARED AXIS INTENSITY TEST METHOD



NOTE: 1. Lead frame to Lead frame

TYPICAL ELECTRICAL / OPTICAL CHARACTERISTICS CURVES

(25 Ambient Temperature Unless Otherwise Noted)

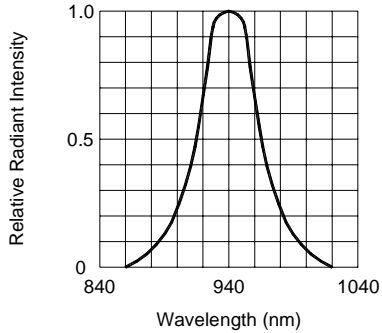


FIG.1 SPECTRAL DISTRIBUTION

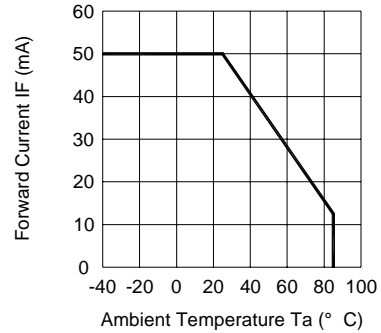


FIG.2 FORWARD CURRENT VS. AMBIENT TEMPERATURE

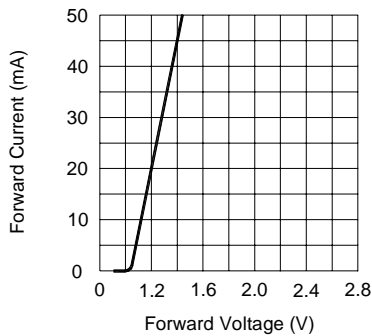


FIG.3 FORWARD CURRENT VS. FORWARD VOLTAGE

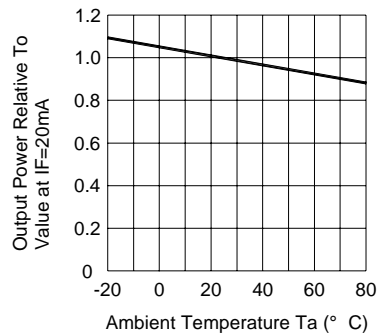


FIG.4 RELATIVE RADIANT INTENSITY VS. AMBIENT TEMPERATURE

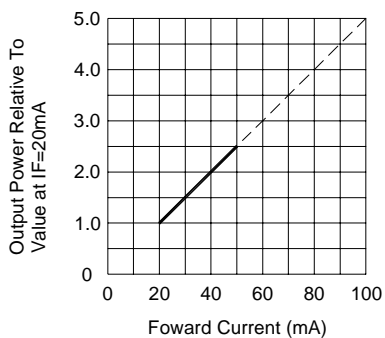


FIG.5 RELATIVE RADIANT INTENSITY VS. FORWARD CURRENT

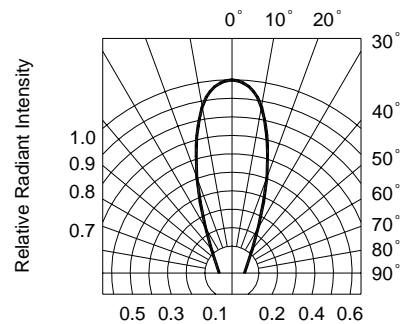


FIG.6 RADIATION DIAGRAM