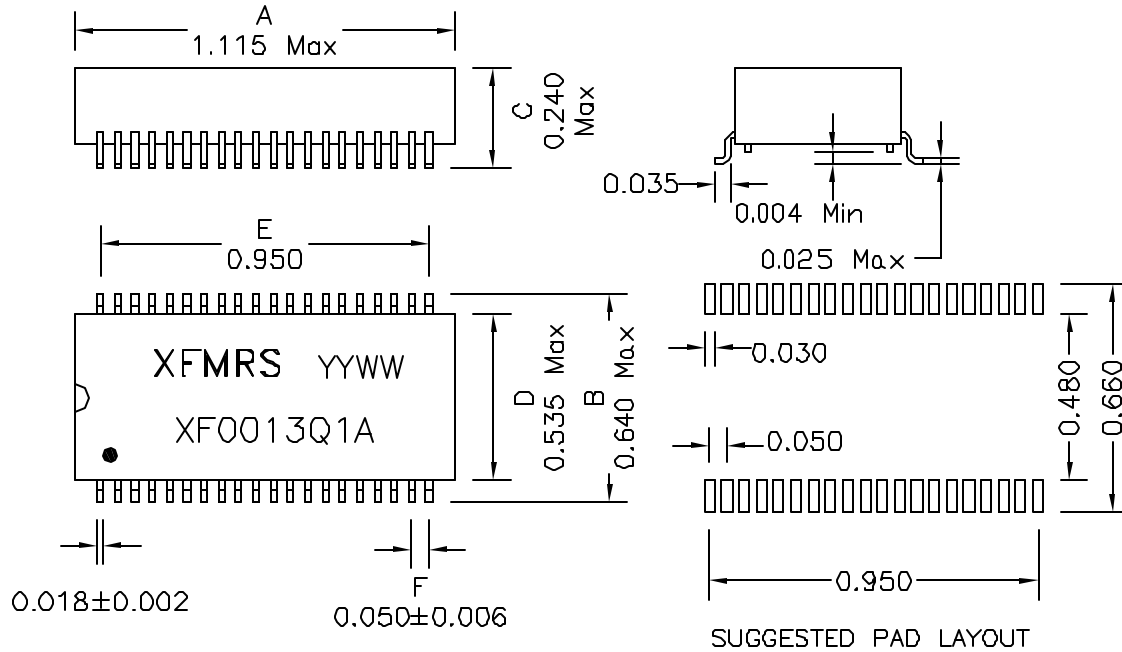
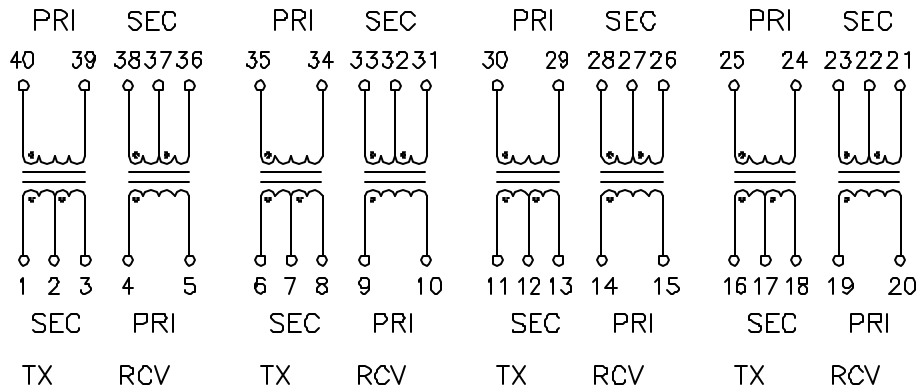


1. Dimensions:



2. Schematic:



DOC. REV A/3

3. Electrical Specifications: @25°C

- Isolation: 1500 Vrms (PRI to SEC)
- TX Turns Ratio: 1:1.36CT ±3% (PRI:SEC)
- RCV Turns Ratio: 1:2CT ±3% (PRI:SEC)
- TX PRI OCL: 1.20mH Minimum @100KHz 50mV
- RCV PRI OCL: 1.20mH Minimum @100KHz 50mV
- Cw/w: 35pF Maximum @100KHz 50mV (PRI/SEC)
- TX PRI LL: 0.8uH Maximum @100KHz 50mV (SEC Shorted)
- RCV PRI LL: 0.8uH Maximum @100KHz 50mV (SEC Shorted)
- PRI DCR: 2.0 Ohms Maximum
- SEC DCR: 1.0 Ohms Maximum

Notes:

1. Solderability: Leads shall meet MIL-STD-202, Method 208D for solderability.
2. Flammability: UL94V-0
3. ASTM oxygen Index: > 28%
4. Insulation System: Class F 155°C. UL file E151556
5. Operating Temperature Range: All listed parameters are to be within tolerance from -40°C to +85°C
6. Storage Temperature Range: -55°C to +125°C
7. Aqueous wash compatible
8. SMD Lead Coplanarity: ±0.004*(0.102mm)
9. Moisture Sensitivity: Level 3
10. Electrical and mechanical specifications 100% tested
11. RoHS Compliant Component
12. UL60950 recognized for Supplementary Insulation requirements for a working voltage up to 300V, file #E165888.

XFMRS Inc	Title: T1/E1/CEPT QUAD PORT		
	UNLESS OTHERWISE SPECIFIED TOLERANCES: .xxx ±0.010	P/N: XF0013Q1A	REV. A
Dimensions in INCH	DWN.	李清儿	Jun-28-05
SHEET 1 OF 1	CHK.	孙悦	Jun-28-05
	APP.	Joe Huff	Jun-28-05