

PLEASE CHECK WWW.MOLEX.COM FOR LATEST PART INFORMATION

Part Number: **0330001003**
Status: **Active**
Overview: mx150 sealed connector system
Description: MX150™ Male Terminal, Tin (Sn) Plating, 22 AWG, Left Reel Payoff, Contact Material Thickness 0.30mm (.012")

Documents:

[Drawing \(PDF\)](#) [RoHS Certificate of Compliance \(PDF\)](#)

General

| | |
|-------------------------|--------------------------------------|
| Product Family | Crimp Terminals |
| Series | 33000 |
| Comments | Left Reel Payoff |
| Crimp Quality Equipment | Yes |
| Overview | <u>mx150 sealed connector system</u> |
| Product Name | MX150™ |

Physical

| | |
|--------------------------------|------------------------------|
| Gender | Male |
| Material - Metal | High Performance Alloy (HPA) |
| Material - Plating Mating | Tin |
| Material - Plating Termination | Tin |
| Packaging Type | Reel |
| Plating min: Mating (µin) | 20 |
| Plating min: Mating (µm) | 0.5 |
| Plating min: Termination (µin) | 20 |
| Plating min: Termination (µm) | 0.5 |
| Termination Interface: Style | Crimp or Compression |
| Wire Insulation Diameter | 2.60mm (.102") max. |
| Wire Size AWG | 22 |
| Wire Size mm² | 0.35, 0.50 |

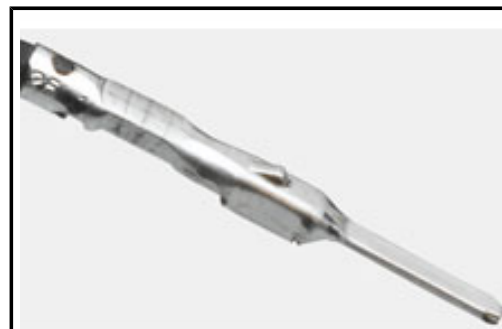
Electrical

| | |
|-------------------------------|------|
| Current - Maximum per Contact | 22A |
| Voltage - Maximum | 250V |

Material Info

Reference - Drawing Numbers

| | |
|---------------|--------------|
| Sales Drawing | SD-33000-001 |
|---------------|--------------|



Series

image - Reference only

EU RoHS

ELV and RoHS Compliant
REACH SVHC
Contains SVHC: No
Halogen-Free Status

China RoHS



Halogen-Free

Need more information on product environmental compliance?

Email productcompliance@molex.com
 For a multiple part number RoHS Certificate of Compliance, [click here](#)

Please visit the [Contact Us](#) section for any non-product compliance questions.

Search Parts in this Series

33000Series

Use With

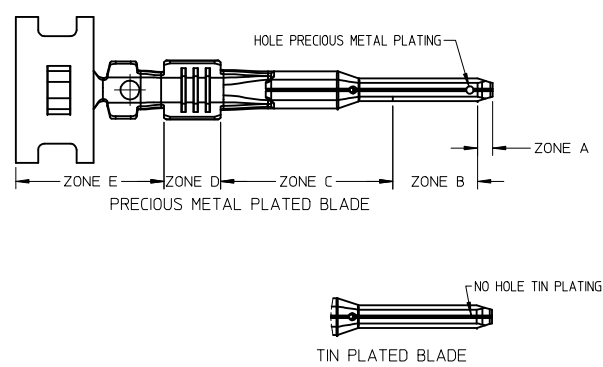
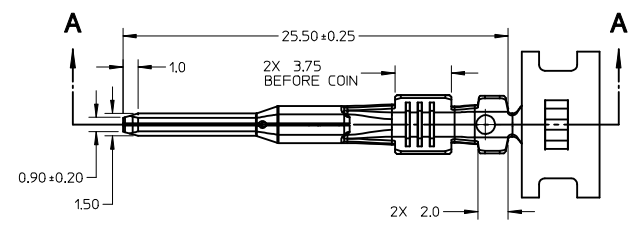
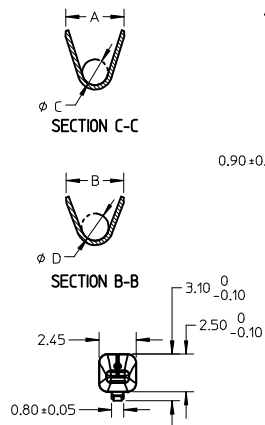
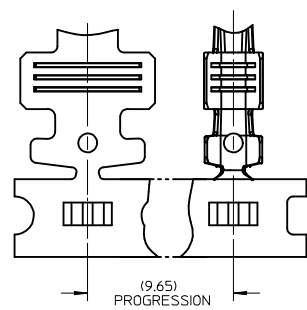
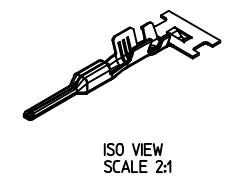
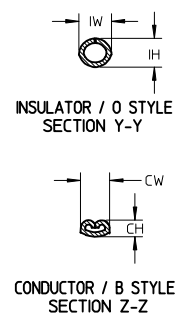
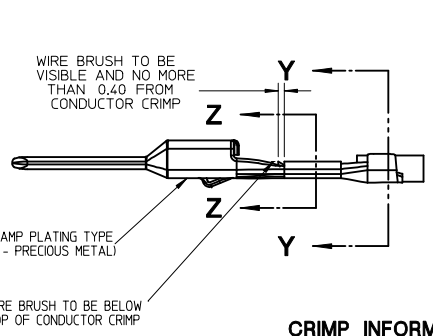
33482 Dual Row Housing, 33481 Single Row Housing, 33486 Hybrid Housing

Application Tooling | FAQ

Tooling specifications and manuals are found by selecting the products below. Crimp Height Specifications are then contained in the Application Tooling Specification document.

Global

| Description | Product # |
|---------------------------|----------------------------|
| Hand Crimp Tool, 18-22AWG | 0638112600 |
| FineAdjust™ Applicator | 0639000600 |



- PLATING NOTES:
- PRECIOUS METAL PLATED TERMINAL:
 - GOLD PLATING:
 - ZONE A: SHALL BE COMPLETELY COVERED WITH NICKEL TO PREVENT EXPOSED BASE METAL REDUCED GOLD THICKNESS FROM ZONE B PERMITTED
 - ZONE B: PRECIOUS METAL PLATING PER MOLEX PLATING SPECIFICATION ES-88
 - BASE LAYER: ELECTRODEPOSITED DUCTILE SULFAMATE NICKEL THICKNESS: 1.25 - 2.25 MICROMETERS
 - GOLD LAYER: ELECTRODEPOSITED GOLD THICKNESS: 0.76 MICROMETERS MINIMUM
 - ZONE C: SHALL BE COMPLETELY COVERED WITH NICKEL TO PREVENT EXPOSED BASE METAL REDUCED PLATING THICKNESS FROM ZONE B AND ZONE D PERMITTED
 - ZONE D: TIN PLATING PER MOLEX PLATING SPECIFICATION ES-88
 - BASE LAYER: ELECTRODEPOSITED DUCTILE SULFAMATE NICKEL THICKNESS: 1.25 - 2.25 MICROMETERS
 - TIN LAYER: ELECTRODEPOSITED 100% TIN, MATTE FINISH THICKNESS: 2.5 - 4.0 MICROMETERS
 - ZONE E: SHALL BE COMPLETELY COVERED WITH NICKEL TO PREVENT EXPOSED BASE METAL REDUCED THICKNESS FROM ZONE D PERMITTED
 - SILVER PLATING:
 - ZONE A: SHALL BE COMPLETELY COVERED WITH NICKEL TO PREVENT EXPOSED BASE METAL REDUCED SILVER THICKNESS FROM ZONE B PERMITTED
 - ZONE B: SILVER PLATING
 - BASE LAYER: ELECTRODEPOSITED DUCTILE SULFAMATE NICKEL THICKNESS: 1.25 - 2.25 MICROMETERS
 - SILVER LAYER: ELECTRODEPOSITED PURE SILVER (0.5% MAX IMPURITIES) THICKNESS: 1.9 - 3.3 MICROMETERS FINISH: SEMI BRIGHT
 - ANTI-TARNISH: TREATMENT FOR SILVER PLATED TERMINAL - EVABRITE WS
 - ZONE C: SHALL BE COMPLETELY COVERED WITH NICKEL TO PREVENT EXPOSED BASE METAL REDUCED PLATING THICKNESS FROM ZONE B AND ZONE D PERMITTED
 - ZONE D: TIN PLATING PER MOLEX PLATING SPECIFICATION ES-88
 - BASE LAYER: ELECTRODEPOSITED DUCTILE SULFAMATE NICKEL THICKNESS 1.25 - 2.25 MICROMETERS
 - TIN LAYER: ELECTRODEPOSITED 100% TIN, MATTE FINISH THICKNESS 2.5 - 4.0 MICROMETERS
 - ZONE E: SHALL BE COMPLETELY COVERED WITH NICKEL TO PREVENT EXPOSED BASE METAL REDUCED THICKNESS FROM ZONE D PERMITTED
 - TIN PLATED TERMINAL (ENTIRE TERMINAL)
 - BASE LAYER: ELECTRODEPOSITED ADVANCED TIN BARRIER THICKNESS 0.25 - 1.00 MICROMETERS
 - TIN LAYER: ELECTRODEPOSITED REFLOW TIN, 100% TIN, NO BRIGHTENERS THICKNESS 0.50 - 1.00 MICROMETERS

- GENERAL NOTES: (UNLESS OTHERWISE SPECIFIED)
- MATING TERMINAL SHOWN ON SD-33012-002
 - MATERIAL: ASTM B422, UNS C19025, HR04 THICKNESS: 0.30 mm ±0.01 TEMPER: FULL HARD (REF) TENSILE: 496-572 MPA PLATING: SEE PLATING NOTES
 - MEETS CRIMP PERFORMANCE SPECIFICATION SAE/USCAR-21 (RELEASED: 08/25/01)
 - MEETS PERFORMANCE STANDARD FOR AUTOMOTIVE ELECTRICAL CONNECTOR SYSTEMS SAE/USCAR-2 REV 3 (APRIL 2001)
 - MEETS FIELD CORRELATED LIFE TEST SAE/USCAR-20 (NOVEMBER 2001)
 - MEETS WIRING COMPONENT DESIGN GUIDELINES SAE/USCAR-12 REV 2 (DECEMBER 2001)
 - MEETS ELECTRICAL CONNECTION SYSTEM DESIGN SPECIFICATION (SDS) REV 11 (5/2002)
 - REFERENCE PK-31300-516 FOR REEL DIRECTION
 - REFERENCE CS-33000-001 FOR ADDITIONAL CRIMP INFORMATION

| ENTER DESCRIPTION EC NO: UAU2010-0107 DRINKFERGUSON 2009/08/18 CHKD:A.DHIR 2009/08/19 APPR:BMOSER 2009/08/20 REV C10 | QUALITY SYMBOLS ▽=0 ▽=0 | GENERAL TOLERANCES (UNLESS SPECIFIED) | | DIMENSION STYLE MM ONLY | | SCALE 4:1 | DESIGN UNITS METRIC | THIRD ANGLE PROJECTION | | | | | | | | | | | | | | | | | | | | | | | | | | | |
|---|-------------------------------|---|-------|----------------------------|----|--------------|------------------------|------------------------|-------|----------|-------|-------|----------|-------|-------|---------|-------|-------|--|--|----------|------|-----------|------------|------------|------|--------|------------|-------------|------|---------|------------|---|--|--|
| | | <table border="1"> <thead> <tr> <th></th> <th>mm</th> <th>INCH</th> </tr> </thead> <tbody> <tr> <td>4 PLACES</td> <td>± ---</td> <td>± ---</td> </tr> <tr> <td>3 PLACES</td> <td>± ---</td> <td>± ---</td> </tr> <tr> <td>2 PLACES</td> <td>± 0.1</td> <td>± ---</td> </tr> <tr> <td>1 PLACE</td> <td>± 0.3</td> <td>± ---</td> </tr> </tbody> </table> | | | mm | INCH | 4 PLACES | ± --- | ± --- | 3 PLACES | ± --- | ± --- | 2 PLACES | ± 0.1 | ± --- | 1 PLACE | ± 0.3 | ± --- | <table border="1"> <thead> <tr> <th>DRAWN BY</th> <th>DATE</th> </tr> </thead> <tbody> <tr> <td>L.PULLIAM</td> <td>2006/01/31</td> </tr> <tr> <th>CHECKED BY</th> <th>DATE</th> </tr> <tr> <td>A.DHIR</td> <td>2006/02/01</td> </tr> <tr> <th>APPROVED BY</th> <th>DATE</th> </tr> <tr> <td>B.MOSER</td> <td>2006/02/02</td> </tr> </tbody> </table> | | DRAWN BY | DATE | L.PULLIAM | 2006/01/31 | CHECKED BY | DATE | A.DHIR | 2006/02/01 | APPROVED BY | DATE | B.MOSER | 2006/02/02 | TITLE MX150 15MM BLADE TERMINAL | | MOLEX INCORPORATED DOCUMENT NO. SD-33000-001 SHEET NO. 1 OF 5 |
| | | | mm | INCH | | | | | | | | | | | | | | | | | | | | | | | | | | | | | | | |
| | | 4 PLACES | ± --- | ± --- | | | | | | | | | | | | | | | | | | | | | | | | | | | | | | | |
| 3 PLACES | ± --- | ± --- | | | | | | | | | | | | | | | | | | | | | | | | | | | | | | | | | |
| 2 PLACES | ± 0.1 | ± --- | | | | | | | | | | | | | | | | | | | | | | | | | | | | | | | | | |
| 1 PLACE | ± 0.3 | ± --- | | | | | | | | | | | | | | | | | | | | | | | | | | | | | | | | | |
| DRAWN BY | DATE | | | | | | | | | | | | | | | | | | | | | | | | | | | | | | | | | | |
| L.PULLIAM | 2006/01/31 | | | | | | | | | | | | | | | | | | | | | | | | | | | | | | | | | | |
| CHECKED BY | DATE | | | | | | | | | | | | | | | | | | | | | | | | | | | | | | | | | | |
| A.DHIR | 2006/02/01 | | | | | | | | | | | | | | | | | | | | | | | | | | | | | | | | | | |
| APPROVED BY | DATE | | | | | | | | | | | | | | | | | | | | | | | | | | | | | | | | | | |
| B.MOSER | 2006/02/02 | | | | | | | | | | | | | | | | | | | | | | | | | | | | | | | | | | |
| ANGULAR ± 3 ° | | MATERIAL NO. SEE TABLE | | | | | | | | | | | | | | | | | | | | | | | | | | | | | | | | | |
| SIZE C | | THIS DRAWING CONTAINS INFORMATION THAT IS PROPRIETARY TO MOLEX INCORPORATED AND SHOULD NOT BE USED WITHOUT WRITTEN PERMISSION | | | | | | | | | | | | | | | | | | | | | | | | | | | | | | | | | |

| SUPPLIER PART NO. | | FORD PART NO. | PLATING (STAMPING) | WIRE APPLICATION | | | A +0.30 | B +0.30 | C +0.30 | D +0.30 | E +0.005 | F +0.005 | G +0.005 | J +0.005 | K +0.005 | M +0.005 | N +0.005 | P +0.005 | R +0.005 | U +0.005 | V +0.005 | |
|--------------------------|-------------------------|----------------|--------------------|------------------|--------------------|-------------|----------------------|---------|---------|---------|----------|----------|----------|----------|----------|----------|----------|----------|----------|----------|----------|--------------------|
| B DIRECTION RIGHT PAYOFF | D DIRECTION LEFT PAYOFF | | | SAE (awg) | WIRE SPECIFICATION | METRIC (mm) | | | | | | | | | | | | | | | | WIRE SPECIFICATION |
| 33000-0001 | 33000-1001 | ZL1T-14421-DA | TIN | 14 | MIL-123A/MIL-135A1 | 2.0, 1.5 | MIL-126A1 JASO D 611 | 3.9 | 3.8 | 1.7 | 1.6 | 12.82 | 0.60 | 1.19 | 7.05 | 13.12 | 1.35 | 6.91 | 2.44 | 6.11 | 2.72 | 1.40 |
| 33000-0002 | 33000-1002 | ZL1T-14421-CA | TIN | 16 | MIL-123A | - | | 3.3 | 3.1 | 1.3 | 1.4 | 12.46 | 0.57 | 0.99 | 6.52 | 12.96 | 1.28 | 6.51 | 2.14 | 1.93 | 2.52 | 1.30 |
| | | | | 18 | MIL-123A | 10, 0.75 | MIL-126A1 | 3.3 | 3.1 | 1.3 | 1.4 | 12.46 | 0.57 | 0.99 | 6.52 | 12.96 | 1.28 | 6.51 | 2.14 | 1.93 | 2.52 | 1.30 |
| | | | | 20 | SAE J1128 (IGXL) | - | | 3.3 | 3.1 | 1.3 | 1.4 | 12.46 | 0.57 | 0.99 | 6.52 | 12.96 | 1.28 | 6.51 | 2.14 | 1.93 | 2.52 | 1.30 |
| | | | | 18 | MIL-123A | - | | 3.3 | 3.1 | 1.3 | 1.4 | 12.46 | 0.57 | 0.99 | 6.52 | 12.96 | 1.28 | 6.51 | 2.14 | 1.93 | 2.52 | 1.30 |
| 33000-0003 | 33000-1003 | ZL1T-14421-BA | TIN | 22 | MIL-123A | 0.5 | MIL-126A1 JASO D 611 | 2.5 | 2.6 | 0.9 | 1.0 | 11.97 | 0.42 | 0.72 | 6.57 | 12.24 | 0.93 | 6.31 | 1.60 | 1.44 | 1.84 | 0.95 |
| 33000-0003* | 33000-1003* | ZL1T-14421-BA* | TIN | - | | 0.35 | WSK-1A348-A2 | 2.5 | 2.6 | 0.9 | 1.0 | 11.97 | 0.42 | 0.72 | 6.57 | 12.24 | 0.93 | 6.31 | 1.60 | 1.44 | 1.84 | 0.95 |
| 33000-0024* | 33000-1024* | 4L2T-14421-AA* | TIN | - | | 0.35 + 0.35 | MIL-126A1 | T80 | T80 | T80 | T80 | T80 | T80 | T80 | T80 | T80 | T80 | T80 | T80 | T80 | T80 | T80 |
| 33000-0024* | 33000-1024* | 4L2T-14421-AA* | TIN | - | | 0.35 + 0.50 | MIL-126A1 | T80 | T80 | T80 | T80 | T80 | T80 | T80 | T80 | T80 | T80 | T80 | T80 | T80 | T80 | T80 |
| 33011-1002 | 33011-0002 | ZL1T-14421-GA | GOLD | 14 | MIL-123A/MIL-135A1 | 2.0, 1.5 | MIL-126A1 JASO D 611 | 3.9 | 3.8 | 1.7 | 1.6 | 12.82 | 0.60 | 1.19 | 7.05 | 13.12 | 1.35 | 6.91 | 2.44 | 6.11 | 2.72 | 1.40 |
| 33011-1004 | 33011-0004 | ZL1T-14421-FA | GOLD | 16 | MIL-123A | - | | 3.3 | 3.1 | 1.3 | 1.4 | 12.46 | 0.57 | 0.99 | 6.52 | 12.96 | 1.28 | 6.51 | 2.14 | 1.93 | 2.52 | 1.30 |
| | | | | 18 | MIL-123A | 10, 0.75 | MIL-126A1 | 3.3 | 3.1 | 1.3 | 1.4 | 12.46 | 0.57 | 0.99 | 6.52 | 12.96 | 1.28 | 6.51 | 2.14 | 1.93 | 2.52 | 1.30 |
| | | | | 20 | MIL-123A | - | | 3.3 | 3.1 | 1.3 | 1.4 | 12.46 | 0.57 | 0.99 | 6.52 | 12.96 | 1.28 | 6.51 | 2.14 | 1.93 | 2.52 | 1.30 |
| | | | | 18 | SAE J1128 (IGXL) | - | | 3.3 | 3.1 | 1.3 | 1.4 | 12.46 | 0.57 | 0.99 | 6.52 | 12.96 | 1.28 | 6.51 | 2.14 | 1.93 | 2.52 | 1.30 |
| 33011-1006 | 33011-0006 | ZL1T-14421-EA | GOLD | 22 | MIL-123A | 0.5 | MIL-126A1 JASO D 611 | 2.5 | 2.6 | 0.9 | 1.0 | 11.97 | 0.42 | 0.72 | 6.57 | 12.24 | 0.93 | 6.31 | 1.60 | 1.44 | 1.84 | 0.95 |
| 33011-1006* | 33011-0006* | ZL1T-14421-EA* | GOLD | - | | 0.35 | WSK-1A348-A2 | 2.5 | 2.6 | 0.9 | 1.0 | 11.97 | 0.42 | 0.72 | 6.57 | 12.24 | 0.93 | 6.31 | 1.60 | 1.44 | 1.84 | 0.95 |
| 33011-2003 | 33011-3003 | 7U5T-14421-CA | SILVER | 14 | MIL-123A/MIL-135A1 | 2.0, 1.5 | MIL-126A1 JASO D 611 | 3.9 | 3.8 | 1.7 | 1.6 | 12.82 | 0.60 | 1.19 | 7.05 | 13.12 | 1.35 | 6.91 | 2.44 | 6.11 | 2.72 | 1.40 |
| 33011-2002 | 33011-3002 | 7U5T-14421-BA | SILVER | 16 | MIL-123A | - | | 3.3 | 3.1 | 1.3 | 1.4 | 12.46 | 0.57 | 0.99 | 6.52 | 12.96 | 1.28 | 6.51 | 2.14 | 1.93 | 2.52 | 1.30 |
| | | | | 18 | MIL-123A | 10, 0.75 | MIL-126A1 | 3.3 | 3.1 | 1.3 | 1.4 | 12.46 | 0.57 | 0.99 | 6.52 | 12.96 | 1.28 | 6.51 | 2.14 | 1.93 | 2.52 | 1.30 |
| | | | | 20 | SAE J1128 (IGXL) | - | | 3.3 | 3.1 | 1.3 | 1.4 | 12.46 | 0.57 | 0.99 | 6.52 | 12.96 | 1.28 | 6.51 | 2.14 | 1.93 | 2.52 | 1.30 |
| | | | | 18 | SAE J1128 (IGXL) | - | | 3.3 | 3.1 | 1.3 | 1.4 | 12.46 | 0.57 | 0.99 | 6.52 | 12.96 | 1.28 | 6.51 | 2.14 | 1.93 | 2.52 | 1.30 |
| 33011-2001 | 33011-3001 | 7U5T-14421-AA | SILVER | 22 | MIL-123A | 0.5 | MIL-126A1 JASO D 611 | 2.5 | 2.6 | 0.9 | 1.0 | 11.97 | 0.42 | 0.72 | 6.57 | 12.24 | 0.93 | 6.31 | 1.60 | 1.44 | 1.84 | 0.95 |
| 33011-2001* | 33011-3001* | 7U5T-14421-AA* | SILVER | - | | 0.35 | WSK-1A348-A2 | 2.5 | 2.6 | 0.9 | 1.0 | 11.97 | 0.42 | 0.72 | 6.57 | 12.24 | 0.93 | 6.31 | 1.60 | 1.44 | 1.84 | 0.95 |

* UNSEALED APPLICATIONS ONLY

TABLE 1 - TERMINAL CRIMP DIMENSIONS REFERENCE TABLE

| SUPPLIER PART NO. | FORD PART NO. | PLATING | WIRE SIZE | WIRE SPECIFICATION | CONDUCTOR CH (SECT Z-Z) +0.05 mm | CONDUCTOR CW (SECT Z-Z) +0.10 mm | INSULATOR IH (SECT Y-Y) +0.10 mm | INSULATOR IW (SECT Y-Y) +0.10 mm | WIRE PULL FORCE (N) | |
|-------------------|---------------|----------------|-----------|----------------------|----------------------------------|----------------------------------|----------------------------------|----------------------------------|---------------------|-----|
| 33000-0001 | 33000-1001 | ZL1T-14421-DA | TIN | MIL-123A | 1.65 | 2.45 | 2.85 | 2.75 | 339 | |
| | | | | MIL-135A1 | 1.65 | 2.45 | 2.80 | 2.80 | 339 | |
| | | | | MIL-123A | 1.35 | 2.15 | 2.20 | 2.60 | 215 | |
| 33000-0002 | 33000-1002 | ZL1T-14421-CA | TIN | 18 awg | SAE J1128 (IGXL) | 1.25 | 2.15 | 2.30 | 2.60 | 158 |
| | | | | MIL-123A | 1.15 | 2.15 | 1.90 | 2.10 | 113 | |
| | | | | SAE J1128 (IGXL) | 1.15 | 2.15 | 2.00 | 2.30 | 105 | |
| 33000-0003 | 33000-1003 | ZL1T-14421-BA | TIN | 22 awg | MIL-123A | 1.00 | 1.60 | 1.85 | 1.90 | 62 |
| 33000-0001 | 33000-1001 | ZL1T-14421-DA | TIN | 2.0 mm ² | JASO D 611 (AVSSI) | 1.60 | 2.45 | 2.85 | 2.75 | 233 |
| 33000-0002 | 33000-1002 | ZL1T-14421-CA | TIN | 1.5 mm ² | MIL-126A1 | 1.40 | 2.45 | 2.65 | 2.80 | 177 |
| | | | | 1.0 mm ² | MIL-126A1 | 1.30 | 2.15 | 2.00 | 2.30 | 162 |
| | | | | 0.75 mm ² | MIL-126A1 | 1.25 | 2.15 | 1.95 | 2.30 | 145 |
| 33000-0003 | 33000-1003 | ZL1T-14421-BA | TIN | 0.5 mm ² | MIL-126A1 | 1.10 | 1.60 | 1.80 | 1.90 | 82 |
| 33000-0003* | 33000-1003* | ZL1T-14421-BA* | TIN | 0.35 mm ² | JASO D 611 (AVSSI) | 1.10 | 1.60 | 1.85 | 1.90 | 100 |
| 33000-0024* | 33000-1024* | 4L2T-14421-AA* | TIN | 0.35 mm ² | WSK-1A348-A2 | 0.95 | 1.60 | 1.70 | 1.90 | 50 |
| 33000-0024* | 33000-1024* | 4L2T-14421-AA* | TIN | 0.35 + 0.50 | MIL-126A1 | T80 | T80 | T80 | T80 | T80 |
| 33011-1002 | 33011-0002 | ZL1T-14421-GA | GOLD | 14 awg | MIL-123A | 1.65 | 2.45 | 2.85 | 2.75 | 339 |
| | | | | MIL-135A1 | 1.65 | 2.45 | 2.80 | 2.80 | 339 | |
| | | | | MIL-123A | 1.35 | 2.15 | 2.20 | 2.60 | 215 | |
| 33011-1004 | 33011-0004 | ZL1T-14421-FA | GOLD | 18 awg | MIL-123A | 1.25 | 2.15 | 2.00 | 2.30 | 157 |
| | | | | SAE J1128 (IGXL) | 1.25 | 2.15 | 2.30 | 2.60 | 158 | |
| | | | | MIL-123A | 1.15 | 2.15 | 1.90 | 2.10 | 113 | |
| 33011-1006 | 33011-0006 | ZL1T-14421-EA | GOLD | 22 awg | MIL-123A | 1.00 | 1.60 | 1.85 | 1.90 | 62 |
| 33011-1002 | 33011-0002 | ZL1T-14421-GA | GOLD | 2.0 mm ² | JASO D 611 (AVSSI) | 1.60 | 2.45 | 2.85 | 2.75 | 233 |
| 33011-1004 | 33011-0004 | ZL1T-14421-FA | GOLD | 1.5 mm ² | MIL-126A1 | 1.40 | 2.45 | 2.65 | 2.80 | 177 |
| | | | | 1.0 mm ² | MIL-126A1 | 1.30 | 2.15 | 2.00 | 2.30 | 162 |
| | | | | 0.75 mm ² | MIL-126A1 | 1.25 | 2.15 | 1.95 | 2.30 | 145 |
| 33011-1006 | 33011-0006 | ZL1T-14421-EA | GOLD | 0.5 mm ² | MIL-126A1 | 1.10 | 1.60 | 1.80 | 1.90 | 82 |
| 33011-1006* | 33011-0006* | ZL1T-14421-EA* | GOLD | 0.35 mm ² | JASO D 611 (AVSSI) | 1.10 | 1.60 | 1.85 | 1.90 | 100 |
| 33011-2003 | 33011-3003 | 7U5T-14421-CA | SILVER | 14 awg | MIL-123A | 1.65 | 2.45 | 2.85 | 2.75 | 339 |
| 33011-2002 | 33011-3002 | 7U5T-14421-BA | SILVER | 16 awg | MIL-135A1 | 1.65 | 2.45 | 2.80 | 2.80 | 339 |
| | | | | MIL-123A | 1.35 | 2.15 | 2.20 | 2.60 | 215 | |
| | | | | 18 awg | SAE J1128 (IGXL) | 1.25 | 2.15 | 2.30 | 2.60 | 158 |
| 33011-2001 | 33011-3001 | 7U5T-14421-AA | SILVER | 22 awg | MIL-123A | 1.00 | 1.60 | 1.85 | 1.90 | 62 |
| 33011-2003 | 33011-3003 | 7U5T-14421-CA | SILVER | 2.0 mm ² | JASO D 611 (AVSSI) | 1.60 | 2.45 | 2.85 | 2.75 | 233 |
| 33011-2002 | 33011-3002 | 7U5T-14421-BA | SILVER | 1.5 mm ² | MIL-126A1 | 1.40 | 2.45 | 2.65 | 2.80 | 177 |
| | | | | 1.0 mm ² | MIL-126A1 | 1.30 | 2.15 | 2.00 | 2.30 | 162 |
| | | | | 0.75 mm ² | MIL-126A1 | 1.25 | 2.15 | 1.95 | 2.30 | 145 |
| 33011-2001 | 33011-3001 | 7U5T-14421-AA | SILVER | 0.5 mm ² | MIL-126A1 | 1.10 | 1.60 | 1.80 | 1.90 | 82 |
| 33011-2001* | 33011-3001* | 7U5T-14421-AA* | SILVER | 0.35 mm ² | JASO D 611 (AVSSI) | 1.10 | 1.60 | 1.85 | 1.90 | 100 |

* UNSEALED APPLICATIONS ONLY

ENTER DESCRIPTION
 EC NO: UAU2010-0107
 DRANKFERGUSON 2009/08/18
 CHKD-A.DHIR 2009/08/19
 APPR-BMOSER 2009/08/20
 REV

QUALITY SYMBOLS
 ▽=0
 ▽=0

GENERAL TOLERANCES (UNLESS SPECIFIED)

| | | |
|------------|-----|------|
| | mm | INCH |
| 4 PLACES ± | --- | ±--- |
| 3 PLACES ± | --- | ±--- |
| 2 PLACES ± | 0.1 | ±--- |
| 1 PLACE ± | 0.3 | ±--- |

ANGULAR ± 3°

DRAFT WHERE APPLICABLE
 MUST REMAIN WITHIN DIMENSIONS

DIMENSION STYLE
MM ONLY

DRAWN BY DATE
 L.PULLIAM 2006/01/31

CHECKED BY DATE
 A.DHIR 2006/02/01

APPROVED BY DATE
 B.MOSER 2006/02/02

MATERIAL NO.
9999999999

SCALE
1:1

DESIGN UNITS
METRIC

THIRD ANGLE PROJECTION

TITLE
MX150 15MM BLADE TERMINAL

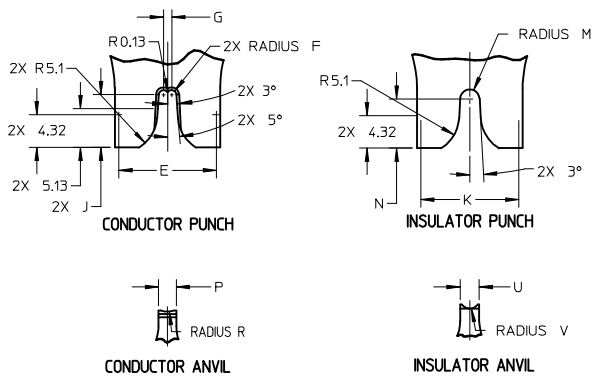
molex MOLEX INCORPORATED

DOCUMENT NO.
SD-33000-001

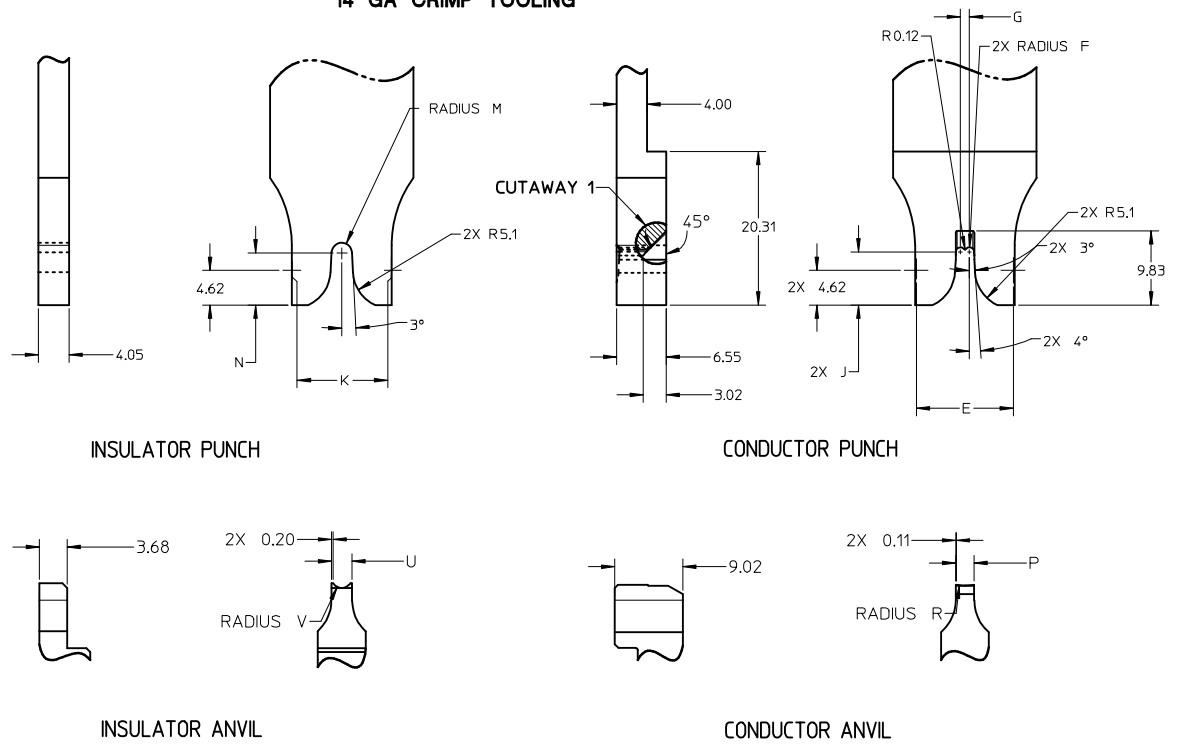
SHEET NO.
2 OF 5

THIS DRAWING CONTAINS INFORMATION THAT IS PROPRIETARY TO MOLEX INCORPORATED AND SHOULD NOT BE USED WITHOUT WRITTEN PERMISSION

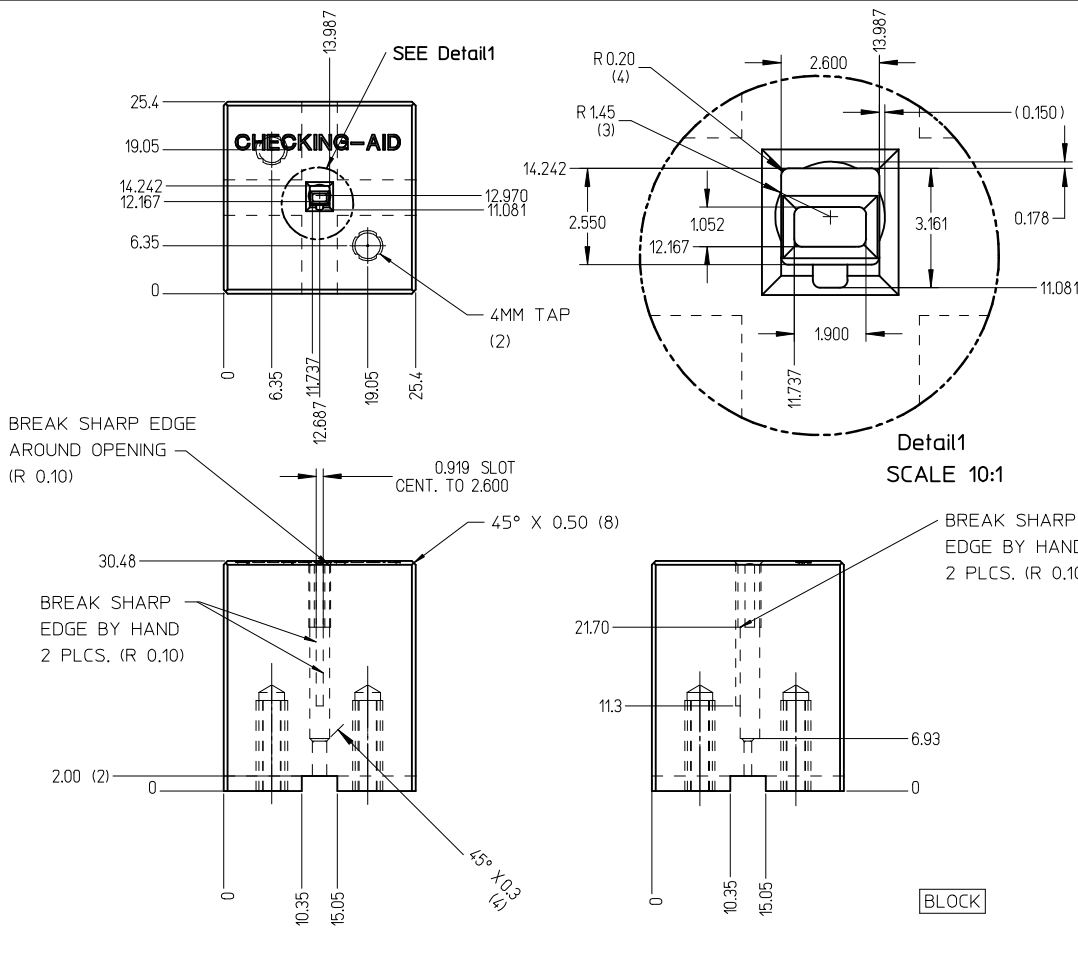
CRIMP TOOL INFORMATION EXCEPT 14 GA



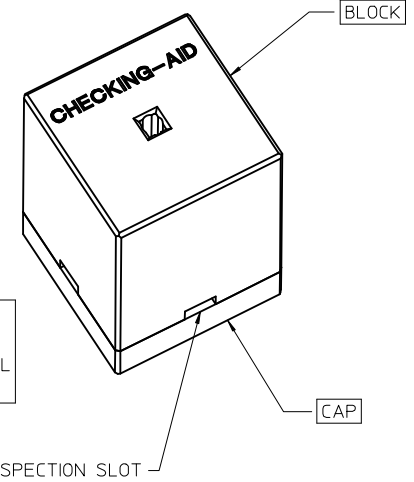
14 GA CRIMP TOOLING



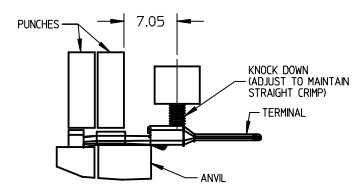
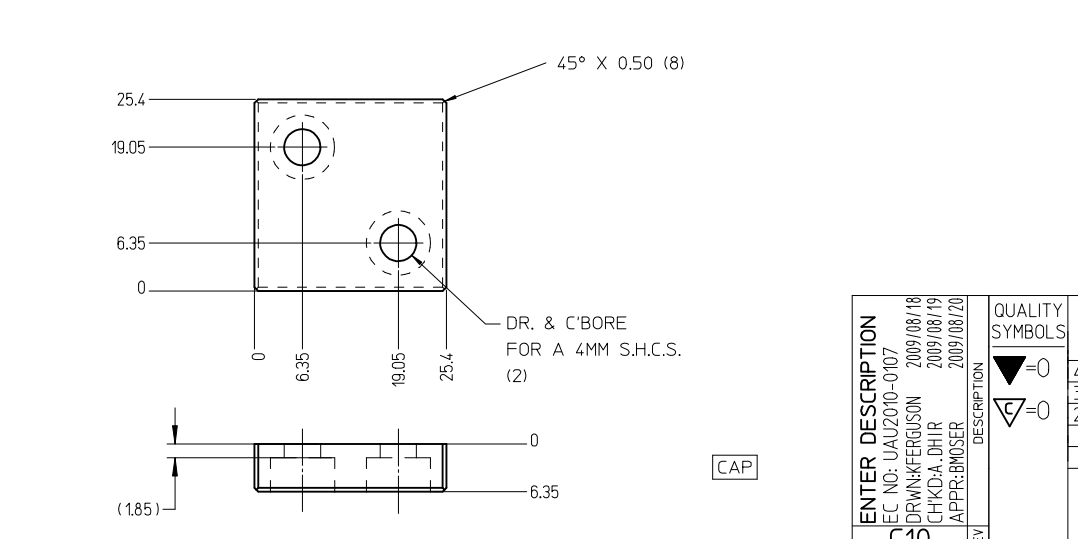
| ENTER DESCRIPTION EC NO: UAU2010-0107 DRWNG: FERGIUSON 2009/08/18 CHKD: A.DHIR 2009/08/19 APPR: B.MOSER 2009/08/20 REV: | QUALITY SYMBOLS ▽=0 ▽=0 | GENERAL TOLERANCES (UNLESS SPECIFIED) <table border="1"> <tr> <th></th> <th>mm</th> <th>INCH</th> </tr> <tr> <td>4 PLACES</td> <td>± .15</td> <td>± .005</td> </tr> <tr> <td>3 PLACES</td> <td>± .10</td> <td>± .004</td> </tr> <tr> <td>2 PLACES</td> <td>± 0.1</td> <td>± .003</td> </tr> <tr> <td>1 PLACE</td> <td>± 0.3</td> <td>± .012</td> </tr> </table> | | mm | INCH | 4 PLACES | ± .15 | ± .005 | 3 PLACES | ± .10 | ± .004 | 2 PLACES | ± 0.1 | ± .003 | 1 PLACE | ± 0.3 | ± .012 | DIMENSION STYLE MM ONLY DRAWN BY DATE L.PULLIAM 2006/01/31 CHECKED BY DATE A.DHIR 2006/02/01 APPROVED BY DATE B.MOSER 2006/02/02 | SCALE 2:1 DESIGN UNITS METRIC THIRD ANGLE PROJECTION | TITLE MX150 15MM BLADE TERMINAL |
|---|---|--|--------|----|------|----------|-------|--------|----------|-------|--------|----------|-------|--------|---------|-------|--------|--|--|---|
| | | mm | INCH | | | | | | | | | | | | | | | | | |
| | 4 PLACES | ± .15 | ± .005 | | | | | | | | | | | | | | | | | |
| | 3 PLACES | ± .10 | ± .004 | | | | | | | | | | | | | | | | | |
| 2 PLACES | ± 0.1 | ± .003 | | | | | | | | | | | | | | | | | | |
| 1 PLACE | ± 0.3 | ± .012 | | | | | | | | | | | | | | | | | | |
| MATERIAL NO. SEE TABLE | DOCUMENT NO. SD-33000-001 | SHEET NO. 3 OF 5 | | | | | | | | | | | | | | | | | | |
| SIZE C10 | THIS DRAWING CONTAINS INFORMATION THAT IS PROPRIETARY TO MOLEX INCORPORATED AND SHOULD NOT BE USED WITHOUT WRITTEN PERMISSION | | | | | | | | | | | | | | | | | | | |



CHECKING-AID
 2 PIECE ASM. A2 TOOL STEEL
 HARDEN & GRIND TO A ROCKWELL
 HARDNESS "C" SCALE OF 56-58

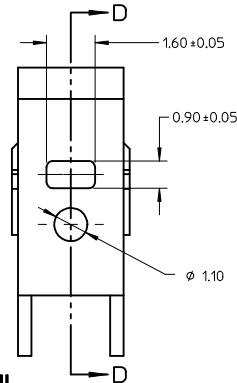
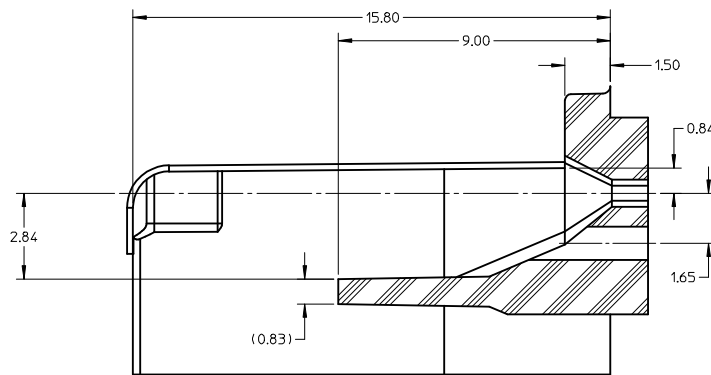
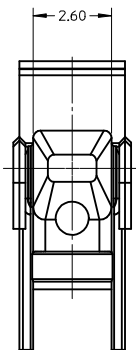


| CHECKING AID TOLERANCE | |
|------------------------|--------|
| .XXX | = .005 |
| .XX | = .03 |
| .X | = .3 |

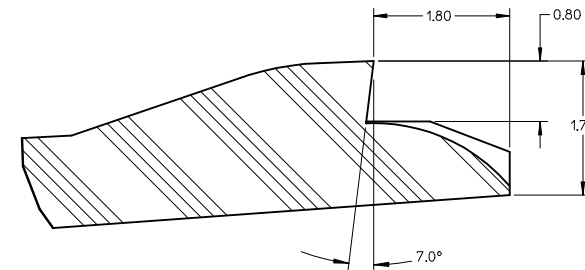
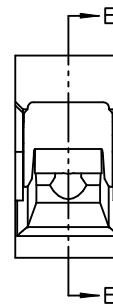
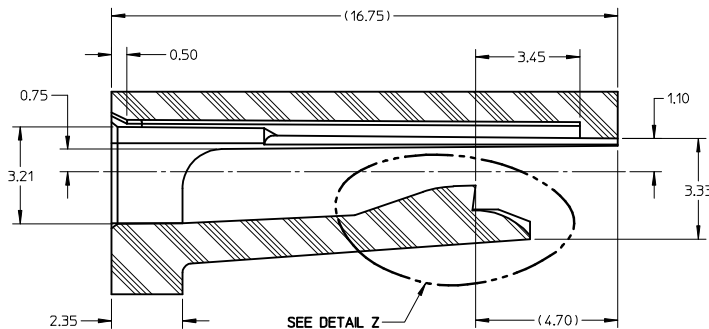
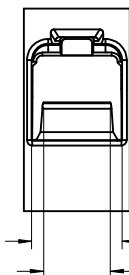


- CRIMP REQUIREMENTS:
1. CRIMP STRAIGHTNESS MUST BE MAINTAINED. USE A KNOCKDOWN TOOL LOCATED AS SHOWN. TERMINAL BOX MUST NOT BE DEFORMED
 2. AFTER CRIMPING, THE TERMINAL AND WIRE MUST FIT FREELY INTO THE CHECKING AID 33000-700. PROPER INSERTION DEPTH IS MET WHEN BLADE TIP STOPS ON CAP. SLOTS PROVIDED TO VISUALLY INSPECT STOPPAGE OF PIN TIP.
 3. FOR OTHER MECHANICAL REQUIREMENTS ON CRIMPED TERMINALS, REFER TO SAE/USCAR-21 (5-13-02) SECTIONS 4.2 (VISUAL INSPECTION), 4.3 (CROSS SECTION ANALYSIS) AND 4.4 (CONDUCTOR CRIMP PULLOUT FORCE)

| ENTER DESCRIPTION EC NO: UAU2010-0107 DRWNKFERGUSON 2009/08/18 CHKD:ADHIR 2009/08/19 APPR:BMOSER 2009/08/20 REV: | QUALITY SYMBOLS ▽=0 ▽=0 | GENERAL TOLERANCES (UNLESS SPECIFIED) <table border="1"> <tr><th></th><th>mm</th><th>INCH</th></tr> <tr><td>4 PLACES</td><td>± .005</td><td>± .0001</td></tr> <tr><td>3 PLACES</td><td>± .002</td><td>± .0001</td></tr> <tr><td>2 PLACES</td><td>± 0.1</td><td>± .004</td></tr> <tr><td>1 PLACE</td><td>± 0.3</td><td>± .012</td></tr> </table> | | mm | INCH | 4 PLACES | ± .005 | ± .0001 | 3 PLACES | ± .002 | ± .0001 | 2 PLACES | ± 0.1 | ± .004 | 1 PLACE | ± 0.3 | ± .012 | DIMENSION STYLE MM ONLY | SCALE 2:1 | DESIGN UNITS METRIC | THIRD ANGLE PROJECTION |
|--|---|---|--|-------------------------------------|----------------------------|---------------------|--------|---------|----------|--------|---------|----------|-------|--------|---------|-------|--------|--|----------------------------|--------------------------------------|-------------------------------|
| | | mm | INCH | | | | | | | | | | | | | | | | | | |
| | 4 PLACES | ± .005 | ± .0001 | | | | | | | | | | | | | | | | | | |
| | 3 PLACES | ± .002 | ± .0001 | | | | | | | | | | | | | | | | | | |
| 2 PLACES | ± 0.1 | ± .004 | | | | | | | | | | | | | | | | | | | |
| 1 PLACE | ± 0.3 | ± .012 | | | | | | | | | | | | | | | | | | | |
| APPROVED BY B.MOSER 2006/02/02 | DRAWN BY L.PULLIAM 2006/01/31 | CHECKED BY A.DHIR 2006/02/01 | DATE 2006/02/02 | DATE 2006/02/02 | MOLEX INCORPORATED | SD-33000-001 | | | | | | | | | | | | | | | |
| MATERIAL NO. SEE TABLE | ANGULAR ± 3° | SIZE C | THIS DRAWING CONTAINS INFORMATION THAT IS PROPRIETARY TO MOLEX INCORPORATED AND SHOULD NOT BE USED WITHOUT WRITTEN PERMISSION | DOCUMENT NO. SD-33000-001 | SHEET NO. 4 OF 5 | | | | | | | | | | | | | | | | |
| ENTER DESCRIPTION C10 | | | | | | | | | | | | | | | | | | | | | |

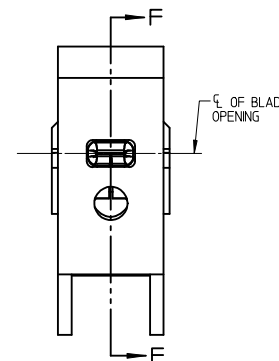
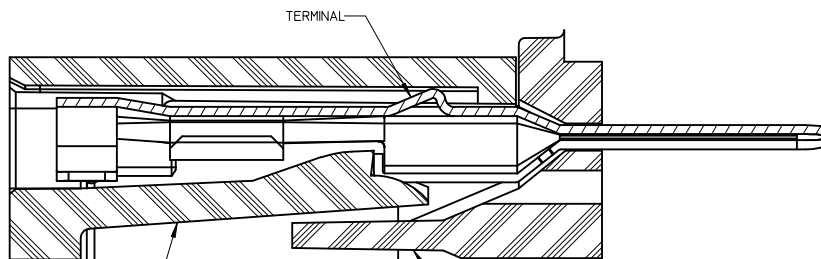
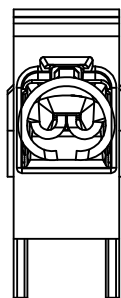


SECTION D-D TPA/INSERT DETAIL



DETAIL Z SCALE 20:1

SECTION E-E HOUSING DETAIL



SECTION F-F BLADE CAVITY ASSEMBLY VIEWS

NOTES: (UNLESS OTHERWISE SPECIFIED)

1. TOLERANCES: LINEAR ± 0.10
ANGULAR 3°
2. ALL DRAFT WITHIN TOLERANCE
3. MAX RADII ON ALL CORNERS SHOWN SHARP: 0.10
4. MAX FLASH PERMISSIBLE: 0.1
5. EJECTOR PIN MARKS PERMISSIBLE IF FLUSH TO 0.25 BELOW SURFACE
6. MATERIAL: HOUSING/FINGER SPECIFICATION ENGINEERED FOR MATERIAL WITH THE FOLLOWING PROPERTIES:
A. FLEXURAL MODULUS = 4,500 TO 9,400 MPa
PER ASTM TEST D790
B. ELONGATION AT YIELD = 2.3% OR BETTER
PER ASTM TEST D638 TYPE V
7. CAVITY SPEC FOR USE ONLY WITH MOLEX BLADE TERMINAL PART NUMBERS (EXCEPT P/N'S FOR UNSEALED APPLICATIONS) SPECIFIED ELSEWHERE ON THIS DRAWING

BLADE CAVITY ASSEMBLY VIEWS

| | | | | | | | | | |
|---|--|---|------------|--|-------------------------------------|--|-------------------------------|---------------------------|----------------------------|
| ENTER DESCRIPTION EC NO: UAU2010-0107 DRAWN: DRINKFERGUSON 2009/08/18 CHKD: A.DHIR 2009/08/19 APPR: B.MOSER 2009/08/20 | QUALITY SYMBOLS $\nabla=0$ $\nabla=0$ | GENERAL TOLERANCES (UNLESS SPECIFIED) | | DIMENSION STYLE MM ONLY | SCALE 8:1 | DESIGN UNITS METRIC | THIRD ANGLE PROJECTION | | |
| | | 4 PLACES \pm --- \pm --- 3 PLACES \pm --- \pm --- 2 PLACES ± 0.1 \pm --- 1 PLACE ± 0.3 \pm --- | mm INCH | DRAWN BY L.PULLIAM | DATE 2006/01/31 | TITLE MX150 15MM BLADE TERMINAL | | | |
| | | ANGULAR $\pm 3^\circ$ | | CHECKED BY A.DHIR | DATE 2006/02/01 | APPROVED BY B.MOSER | DATE 2006/02/02 | MOLEX INCORPORATED | SHEET NO. 5 OF 5 |
| | | C10 | REV | MATERIAL NO. SEE TABLE | DOCUMENT NO. SD-33000-001 | THIS DRAWING CONTAINS INFORMATION THAT IS PROPRIETARY TO MOLEX INCORPORATED AND SHOULD NOT BE USED WITHOUT WRITTEN PERMISSION | | | |