

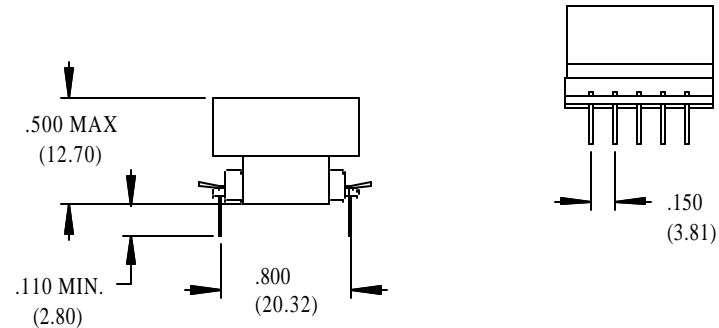
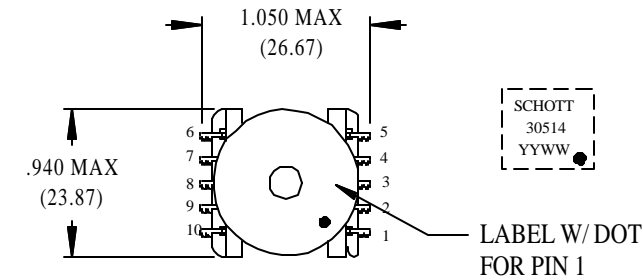
TITLE
TRANSFORMER
HDSL, 1168 Kbps, 2.0 mHy,

SCHOTT
 CORPORATION
 1000 PARKERS LAKE ROAD
 WAYZATA, MN 55391

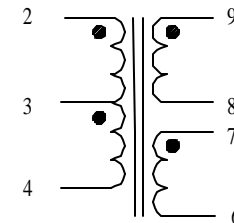
PART NUMBER
30514
 REV A PAGE 1 END

SPECIFICATIONS

1. INDUCTANCE: @ 0.1 V, 10 KHz
 7-6-9-8 = 2.0 mHY ± 5%
2. LEAKAGE INDUCTANCE: @ 100 KHz
 2-4 W/ 7-6-9-8 shorted = 16 µHy MAX
3. INTERWINDING CAPACITANCE: @ 100 KHz
 2-4 TO 7-6-9-8 = 240 pF MAX
4. DC RESISTANCE:
 2-4 = 2.2 OHMS MAX
 7-6, 9-8 = 2.2 OHMS MAX
5. TURNS RATIO: 2-4 : 7-6 : 9-8
 = 1CT : 1 : 1 ± 2%
6. LONGITUDINAL BALANCE: 7-6-9-8
 @ 200 KHz, = 55 dB MIN, LINE = 9-8-7-6
 (GOUND PINS 8&7), LOAD = 2-4,
 LINE RESISTORS = 67.5 OHMS, LOAD
 RESISTORS = 34 OHMS
7. HARMONIC DISTORTION: 6-7-8-9 @
 135 OHMS, 200 KHz, 6V p-p = -75 dB MIN
8. DIELECTRIC STRENGTH: 1500 VAC, 1 minute
 (1800 for 1 second Schott Production Test)
 2 to 9 & 7
 2,9,7 to core



PINS: .028 X .045 MAX
 (0.70 X 1.10)



TOLERANCES	2 PLACE	3 PLACE	ANGLE
UNLESS OTHERWISE NOTED	+ -	+ .005	+ °