

FEATURES

- IQ modulator with integrated fractional-N PLL**
- Output frequency range: 400 MHz to 1250 MHz**
- Internal LO frequency range: 750 MHz to 1150 MHz**
- Output P1dB: 10.3 dBm @ 1100 MHz**
- Output IP3: 30.1 dBm @ 1100 MHz**
- Noise floor: -159.4 dBm/Hz @ 1100 MHz**
- Baseband bandwidth: 750 MHz (3 dB)**
- SPI serial interface for PLL programming**
- Integrated LDOs and LO buffer**
- Power supply: 5 V/240 mA**
- 40-lead 6 mm × 6 mm LFCSP**

APPLICATIONS

- Cellular communications systems**
 - GSM/EDGE, CDMA2000, W-CDMA, TD-SCDMA, LTE
- Broadband wireless access systems**
- Satellite modems**

GENERAL DESCRIPTION

The [ADRF6701](#) provides a quadrature modulator and synthesizer solution within a small 6 mm × 6 mm footprint while requiring minimal external components.

The [ADRF6701](#) is designed for RF outputs from 400 MHz to 1250 MHz. The low phase noise VCO and high performance quadrature modulator make the [ADRF6701](#) suitable for next generation communication systems requiring high signal dynamic range and linearity. The integration of the IQ

modulator, PLL, and VCO provides for significant board savings and reduces the BOM and design complexity.

The integrated fractional-N PLL/synthesizer generates a $2 \times f_{LO}$ input to the IQ modulator. The phase detector together with an external loop filter is used to control the VCO output. The VCO output is applied to a quadrature divider. To reduce spurious components, a sigma-delta (Σ - Δ) modulator controls the programmable PLL divider.

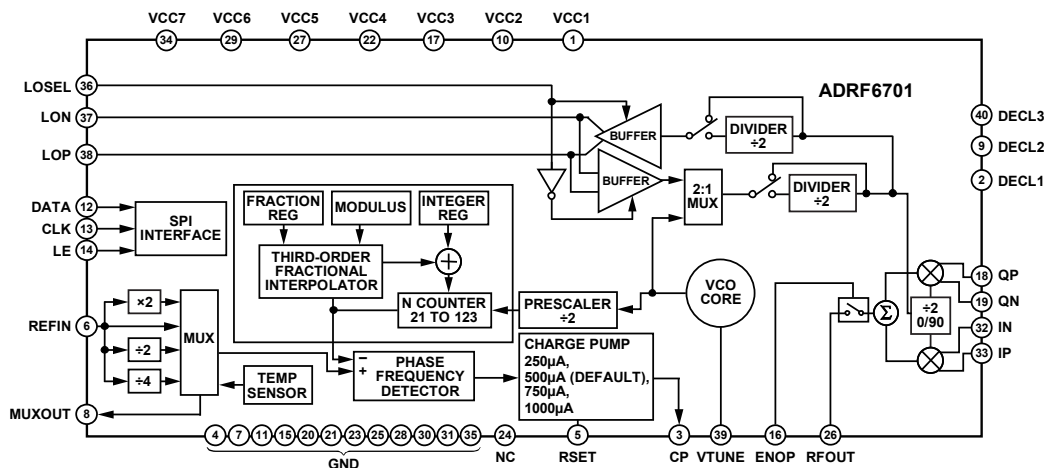
The IQ modulator has wideband differential I and Q inputs, which support baseband as well as complex IF architectures. The single-ended modulator output is designed to drive a 50 Ω load impedance and can be disabled.

The [ADRF6701](#) is fabricated using an advanced silicon-germanium BiCMOS process. It is available in a 40-lead, exposed-paddle, Pb-free, 6 mm × 6 mm LFCSP package. Performance is specified from -40°C to +85°C. A lead-free evaluation board is available.

Table 1.

| Part No. | Internal LO Range | IQ Modulator ± 3 dB RF Output Range |
|--------------------------|----------------------|---|
| ADRF6701 | 750 MHz 1150 MHz | 400 MHz 1250 MHz |
| ADRF6702 | 1550 MHz 2150 MHz | 1200 MHz 2400 MHz |
| ADRF6703 | 2100 MHz 2600 MHz | 1550 MHz 2650 MHz |

FUNCTIONAL BLOCK DIAGRAM



NOTES
1. NC = NO CONNECT. DO NOT CONNECT TO THIS PIN.

Figure 1.

09067-001

Rev. 0

Information furnished by Analog Devices is believed to be accurate and reliable. However, no responsibility is assumed by Analog Devices for its use, nor for any infringements of patents or other rights of third parties that may result from its use. Specifications subject to change without notice. No license is granted by implication or otherwise under any patent or patent rights of Analog Devices. Trademarks and registered trademarks are the property of their respective owners.

TABLE OF CONTENTS

| | | | |
|--|----|--|----|
| Features | 1 | Device Programming and Register Sequencing..... | 19 |
| Applications..... | 1 | Register Summary | 20 |
| General Description | 1 | Register Description..... | 21 |
| Functional Block Diagram | 1 | Register 0—Integer Divide Control (Default: 0x0001C0) | 21 |
| Revision History | 2 | Register 1—Modulus Divide Control (Default: 0x003001) .. | 22 |
| Specifications..... | 3 | Register 2—Fractional Divide Control (Default: 0x001802) .. | 22 |
| Timing Characteristics | 6 | Register 3— Σ - Δ Modulator Dither Control (Default: 0x10000B)..... | 23 |
| Absolute Maximum Ratings..... | 7 | Register 4—PLL Charge Pump, PFD, and Reference Path Control (Default: 0x0AA7E4)..... | 24 |
| ESD Caution..... | 7 | Register 5—LO Path and Modulator Control (Default: 0x0000D5) | 26 |
| Pin Configuration and Function Descriptions..... | 8 | Register 6—VCO Control and VCO Enable (Default: 0x1E2106)..... | 27 |
| Typical Performance Characteristics | 10 | Register 7—External VCO Enable and Second lo divider.... | 27 |
| Theory of Operation | 16 | Characterization Setups..... | 28 |
| PLL + VCO..... | 16 | Evaluation Board | 30 |
| Basic Connections for Operation..... | 16 | Evaluation Board Control Software..... | 30 |
| External LO | 16 | Outline Dimensions | 35 |
| Loop Filter | 17 | Ordering Guide | 35 |
| DAC-to-IQ Modulator Interfacing | 18 | | |
| Adding a Swing-Limiting Resistor | 18 | | |
| IQ Filtering..... | 19 | | |
| Baseband Bandwidth | 19 | | |

REVISION HISTORY

9/11—Revision 0: Initial Version

SPECIFICATIONS

$V_S = 5\text{ V}$; $T_A = 25^\circ\text{C}$; baseband I/Q amplitude = 1 V p-p differential sine waves in quadrature with a 500 mV dc bias; baseband I/Q frequency (f_{BB}) = 1 MHz; $f_{\text{PFD}} = 38.4\text{ MHz}$; $f_{\text{REF}} = 153.6\text{ MHz}$ at +4 dBm Re:50 Ω (1 V p-p); 130 kHz loop filter, unless otherwise noted.

Table 2.

| Parameter | Test Conditions/Comments | Min | Typ | Max | Unit |
|------------------------------------|---|-----|--------|------|-----------|
| OPERATING FREQUENCY RANGE | IQ modulator ($\pm 3\text{ dB}$ RF output range) | 400 | | 1250 | MHz |
| | PLL LO range | 750 | | 1150 | MHz |
| RF OUTPUT = 800 MHz | RFOUT pin | | | | |
| Nominal Output Power | Baseband VIQ = 1 V p-p differential | | 4.4 | | dBm |
| IQ Modulator Voltage Gain | RF output divided by baseband input voltage | | 0.4 | | dB |
| OP1dB | | | 12.5 | | dBm |
| Carrier Feedthrough | | | -49.9 | | dBm |
| Sideband Suppression | | | -53.9 | | dBc |
| Quadrature Error | | | -0.75 | | Degrees |
| I/Q Amplitude Balance | | | 0.03 | | dB |
| Second Harmonic | $P_{\text{OUT}} - P(f_{\text{LO}} \pm (2 \times f_{\text{BB}}))$ | | -81.9 | | dBc |
| Third Harmonic | $P_{\text{OUT}} - P(f_{\text{LO}} \pm (3 \times f_{\text{BB}}))$ | | -58.8 | | dBc |
| Output IP2 | $f_{1\text{BB}} = 3.5\text{ MHz}$, $f_{2\text{BB}} = 4.5\text{ MHz}$, $P_{\text{OUT}} \approx -2\text{ dBm}$ per tone | | >70 | | dBm |
| Output IP3 | $f_{1\text{BB}} = 3.5\text{ MHz}$, $f_{2\text{BB}} = 4.5\text{ MHz}$, $P_{\text{OUT}} \approx -2\text{ dBm}$ per tone | | 30.8 | | dBm |
| Noise Floor | I/Q inputs = 0 V differential with 500 mV dc bias, 20 MHz carrier offset | | -157.9 | | dBm/Hz |
| RF OUTPUT = 950 MHz | RFOUT pin | | | | |
| Nominal Output Power | Baseband VIQ = 1 V p-p differential | | 3.8 | | dBm |
| IQ Modulator Voltage Gain | RF output divided by baseband input voltage | | -0.2 | | dB |
| OP1dB | | | 11.2 | | dBm |
| Carrier Feedthrough | | | -46.2 | | dBm |
| Sideband Suppression | | | -45.4 | | dBc |
| Quadrature Error | | | -0.5 | | Degrees |
| I/Q Amplitude Balance | | | 0.03 | | dB |
| Second Harmonic | $P_{\text{OUT}} - P(f_{\text{LO}} \pm (2 \times f_{\text{BB}}))$ | | -76.5 | | dBc |
| Third Harmonic | $P_{\text{OUT}} - P(f_{\text{LO}} \pm (3 \times f_{\text{BB}}))$ | | -59.1 | | dBc |
| Output IP2 | $f_{1\text{BB}} = 3.5\text{ MHz}$, $f_{2\text{BB}} = 4.5\text{ MHz}$, $P_{\text{OUT}} \approx -2\text{ dBm}$ per tone | | >70 | | dBm |
| Output IP3 | $f_{1\text{BB}} = 3.5\text{ MHz}$, $f_{2\text{BB}} = 4.5\text{ MHz}$, $P_{\text{OUT}} \approx -2\text{ dBm}$ per tone | | 31.7 | | dBm |
| Noise Floor | I/Q inputs = 0 V differential with 500 mV dc bias, 20 MHz carrier offset | | -157.9 | | dBm/Hz |
| RF OUTPUT = 1100 MHz | RFOUT pin | | | | |
| Nominal Output Power | Baseband VIQ = 1 V p-p differential | | 2.1 | | dBm |
| IQ Modulator Voltage Gain | RF output divided by baseband input voltage | | -1.9 | | dB |
| OP1dB | | | 10.3 | | dBm |
| Carrier Feedthrough | | | -49.9 | | dBm |
| Sideband Suppression | | | -47.2 | | dBc |
| Quadrature Error | | | -0.5 | | Degrees |
| I/Q Amplitude Balance | | | 0.03 | | dB |
| Second Harmonic | $P_{\text{OUT}} - P(f_{\text{LO}} \pm (2 \times f_{\text{BB}}))$ | | -77.7 | | dBc |
| Third Harmonic | $P_{\text{OUT}} - P(f_{\text{LO}} \pm (3 \times f_{\text{BB}}))$ | | -60.3 | | dBc |
| Output IP2 | $f_{1\text{BB}} = 3.5\text{ MHz}$, $f_{2\text{BB}} = 4.5\text{ MHz}$, $P_{\text{OUT}} \approx -2\text{ dBm}$ per tone | | >70 | | dBm |
| Output IP3 | $f_{1\text{BB}} = 3.5\text{ MHz}$, $f_{2\text{BB}} = 4.5\text{ MHz}$, $P_{\text{OUT}} \approx -2\text{ dBm}$ per tone | | 30.1 | | dBm |
| Noise Floor | I/Q inputs = 0 V differential with 500 mV dc bias, 20 MHz carrier offset | | -159.4 | | dBm/Hz |
| SYNTHESIZER SPECIFICATIONS | Synthesizer specifications referenced to the modulator output | | | | |
| Internal LO Range | | 750 | | 1150 | MHz |
| Figure of Merit (FOM) ¹ | | | -222 | | dBc/Hz/Hz |

| Parameter | Test Conditions/Comments | Min | Typ | Max | Unit |
|---|---|-----|------|------|----------------|
| REFERENCE CHARACTERISTICS | REFIN, MUXOUT pins | | | | |
| REFIN Input Frequency | | 12 | | 160 | MHz |
| REFIN Input Capacitance | | | 4 | | pF |
| Phase Detector Frequency | | 20 | | 40 | MHz |
| MUXOUT Output Level | Low (lock detect output selected) | | | 0.25 | V |
| | High (lock detect output selected) | 2.7 | | | V |
| MUXOUT Duty Cycle | | | 50 | | % |
| CHARGE PUMP | | | | | |
| Charge Pump Current | Programmable to 250 μ A, 500 μ A, 750 μ A, 1000 μ A | | 500 | | μ A |
| Output Compliance Range | | 1 | | 2.8 | V |
| PHASE NOISE (FREQUENCY = 800 MHz, $f_{\text{PFD}} = 38.4$ MHz) | Closed loop operation (see Figure 35 for loop filter design) | | | | |
| | 10 kHz offset | | -114 | | dBc/Hz |
| | 100 kHz offset | | -112 | | dBc/Hz |
| | 1 MHz offset | | -135 | | dBc/Hz |
| | 10 MHz offset | | -154 | | dBc/Hz |
| Integrated Phase Noise | 1 kHz to 10 MHz integration bandwidth | | 0.09 | | $^{\circ}$ rms |
| Reference Spurs | $f_{\text{PFD}}/2$ | | -113 | | dBc |
| | f_{PFD} | | -101 | | dBc |
| | $f_{\text{PFD}} \times 2$ | | -99 | | dBc |
| | $f_{\text{PFD}} \times 3$ | | -108 | | dBc |
| | $f_{\text{PFD}} \times 4$ | | -99 | | dBc |
| PHASE NOISE (FREQUENCY = 950 MHz, $f_{\text{PFD}} = 38.4$ MHz) | Closed loop operation (see Figure 35 for loop filter design) | | | | |
| | 10 kHz offset | | -112 | | dBc/Hz |
| | 100 kHz offset | | -111 | | dBc/Hz |
| | 1 MHz offset | | -133 | | dBc/Hz |
| | 10 MHz offset | | -153 | | dBc/Hz |
| Integrated Phase Noise | 1 kHz to 10 MHz integration bandwidth | | 0.11 | | $^{\circ}$ rms |
| Reference Spurs | $f_{\text{PFD}}/2$ | | -113 | | dBc |
| | f_{PFD} | | -106 | | dBc |
| | $f_{\text{PFD}} \times 2$ | | -104 | | dBc |
| | $f_{\text{PFD}} \times 3$ | | -100 | | dBc |
| | $f_{\text{PFD}} \times 4$ | | -107 | | dBc |
| PHASE NOISE (FREQUENCY = 1100 MHz, $f_{\text{PFD}} = 38.4$ MHz) | Closed loop operation (see Figure 35 for loop filter design) | | | | |
| | 10 kHz offset | | -113 | | dBc/Hz |
| | 100 kHz offset | | -108 | | dBc/Hz |
| | 1 MHz offset | | -135 | | dBc/Hz |
| | 10 MHz offset | | -153 | | dBc/Hz |
| Integrated Phase Noise | 1 kHz to 10 MHz integration bandwidth | | 0.12 | | $^{\circ}$ rms |
| Reference Spurs | $f_{\text{PFD}}/2$ | | -112 | | dBc |
| | f_{PFD} | | -93 | | dBc |
| | $f_{\text{PFD}} \times 2$ | | -93 | | dBc |
| | $f_{\text{PFD}} \times 3$ | | -105 | | dBc |
| | $f_{\text{PFD}} \times 4$ | | -103 | | dBc |
| RF OUTPUT HARMONICS | Measured at RFOUT, frequency = 1100 MHz | | | | |
| | Second harmonic | | -61 | | dBc |
| | Third harmonic | | -73 | | dBc |

| Parameter | Test Conditions/Comments | Min | Typ | Max | Unit |
|----------------------------------|---|------|------|------|-------|
| LO INPUT/OUTPUT | LOP, LON | | | | |
| Output Frequency Range | Divide by 4 circuit in LO path enabled | 750 | | 1150 | MHz |
| | Divide by 2 circuit in LO path disabled | 1500 | | 2300 | MHz |
| | Dividers in LO path disabled | 3000 | | 4600 | MHz |
| LO Output Level at 950 MHz | 2× LO or 1× LO mode, into a 50 Ω load, LO buffer enabled | | 2.5 | | dBm |
| LO Input Level | Externally applied 2× LO, PLL disabled | | 0 | | dBm |
| LO Input Impedance | Externally applied 2× LO, PLL disabled | | 50 | | Ω |
| BASEBAND INPUTS | IP, IN, QP, QN pins | | | | |
| I and Q Input DC Bias Level | | 400 | 500 | 600 | mV |
| Bandwidth | $P_{OUT} \approx -7$ dBm, RF flatness of IQ modulator output calibrated out | | 350 | | MHz |
| | 0.5 dB | | 750 | | MHz |
| | 3 dB | | 920 | | Ω |
| Differential Input Impedance | | | 920 | | Ω |
| Differential Input Capacitance | | | 1 | | pF |
| LOGIC INPUTS | CLK, DATA, LE, ENOP, LOSEL | | | | |
| Input High Voltage, V_{INH} | | 1.4 | | 3.3 | V |
| Input Low Voltage, V_{INL} | | 0 | | 0.7 | V |
| Input Current, I_{INH}/I_{INL} | | | 0.1 | | μA |
| Input Capacitance, C_{IN} | | | 5 | | pF |
| TEMPERATURE SENSOR | VPTAT voltage measured at MUXOUT | | | | |
| Output Voltage | $T_A = 25^\circ\text{C}$, $R_L \geq 10$ kΩ (LO buffer disabled) | | 1.63 | | V |
| Temperature Coefficient | $T_A = -40^\circ\text{C}$ to $+85^\circ\text{C}$, $R_L \geq 10$ kΩ | | 3.75 | | mV/°C |
| POWER SUPPLIES | VCC1, VCC2, VCC3, VCC4, VCC5, VCC6, VCC7 | | | | |
| Voltage Range | | 4.75 | 5 | 5.25 | V |
| Supply Current | Normal Tx mode (PLL and IQMOD enabled, LO buffer disabled) | | 240 | | mA |
| | Tx mode using external LO input (internal VCO/PLL disabled) | | 130 | | mA |
| | Tx mode with LO buffer enabled | | 290 | | mA |
| | Power-down mode | | 22 | | μA |

¹ The figure of merit (FOM) is computed as phase noise (dBc/Hz) – 10log₁₀(f_{PFD}) – 20log₁₀($f_{\text{LO}}/f_{\text{PFD}}$). The FOM was measured across the full LO range, with $f_{\text{REF}} = 80$ MHz, f_{REF} power = 10 dBm (500 V/μs slew rate) with a 40 MHz f_{PFD} . The FOM was computed at 50 kHz offset.

TIMING CHARACTERISTICS

Table 3.

| Parameter | Limit | Unit | Test Conditions/Comments |
|----------------|-------|--------|--------------------------|
| t ₁ | 20 | ns min | LE to CLK setup time |
| t ₂ | 10 | ns min | DATA to CLK setup time |
| t ₃ | 10 | ns min | DATA to CLK hold time |
| t ₄ | 25 | ns min | CLK high duration |
| t ₅ | 25 | ns min | CLK low duration |
| t ₆ | 10 | ns min | CLK to LE setup time |
| t ₇ | 20 | ns min | LE pulse width |

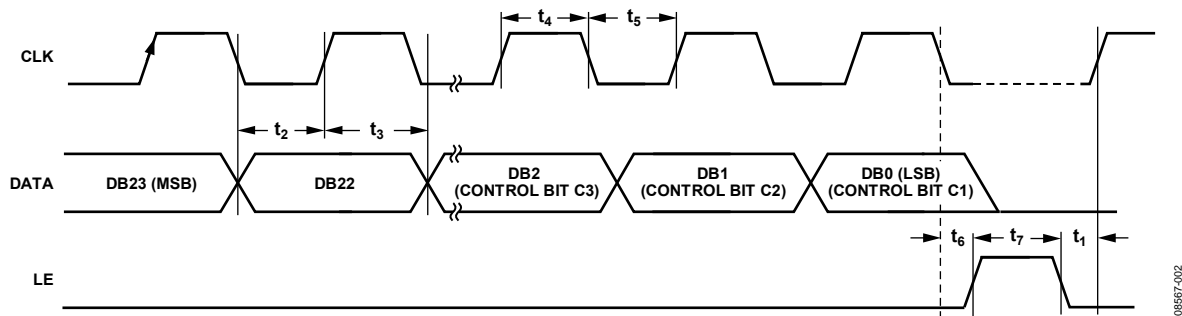


Figure 2. Timing Diagram

088577-002

ABSOLUTE MAXIMUM RATINGS

Table 4.

| Parameter | Rating |
|---|------------------|
| Supply Voltage (VCC1 to VCC7) | 5.5 V |
| Digital I/O, CLK, DATA, LE | -0.3 V to +3.6 V |
| LOP, LON | 18 dBm |
| IP, IN, QP, QN | -0.5 V to +1.5 V |
| REFIN | -0.3 V to +3.6 V |
| θ_{JA} (Exposed Paddle Soldered Down) ¹ | 35°C/W |
| Maximum Junction Temperature | 150°C |
| Operating Temperature Range | -40°C to +85°C |
| Storage Temperature Range | -65°C to +150°C |

¹ Per JEDEC standard JESD 51-2.

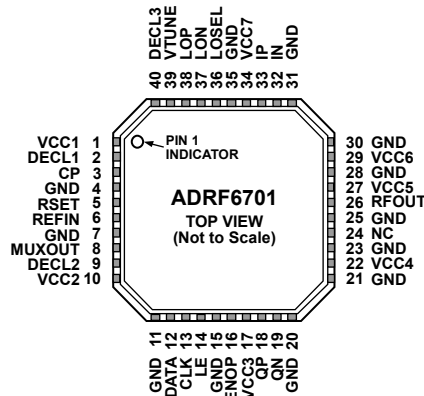
Stresses above those listed under Absolute Maximum Ratings may cause permanent damage to the device. This is a stress rating only; functional operation of the device at these or any other conditions above those indicated in the operational section of this specification is not implied. Exposure to absolute maximum rating conditions for extended periods may affect device reliability.

ESD CAUTION



ESD (electrostatic discharge) sensitive device. Charged devices and circuit boards can discharge without detection. Although this product features patented or proprietary protection circuitry, damage may occur on devices subjected to high energy ESD. Therefore, proper ESD precautions should be taken to avoid performance degradation or loss of functionality.

PIN CONFIGURATION AND FUNCTION DESCRIPTIONS



- NOTES
 1. NC = NO CONNECT. DO NOT CONNECT TO THIS PIN.
 2. THE EXPOSED PADDLE SHOULD BE SOLDERED TO A LOW IMPEDANCE GROUND PLANE.

06597-003

Figure 3. Pin Configuration

Table 5. Pin Function Descriptions

| Pin No. | Mnemonic | Description |
|--|--|--|
| 1, 10, 17, 22, 27, 29, 34 | VCC1, VCC2, VCC3, VCC4, VCC5, VCC6, VCC7 | Power Supply Pins. The power supply voltage range is 4.75 V to 5.25 V. Drive all of these pins from the same power supply voltage. Decouple each pin with 100 pF and 0.1 μF capacitors located close to the pin. |
| 2 | DECL1 | Decoupling Node for Internal 3.3 V LDO. Decouple this pin with 100 pF and 0.1 μF capacitors located close to the pin. |
| 3 | CP | Charge Pump Output Pin. Connect VTUNE to this pin through the loop filter. If an external VCO is being used, connect the output of the loop filter to the VCO's voltage control pin. The PLL control loop should then be closed by routing the VCO's frequency output back into the ADRF6701 through the LON and LOP pins. |
| 4, 7, 11, 15, 20, 21, 23, 25, 28, 30, 31, 35 | GND | Ground. Connect these pins to a low impedance ground plane. |
| 24 | NC | Do not connect to this pin. |
| 5 | RSET | Charge Pump Current. The nominal charge pump current can be set to 250 μA, 500 μA, 750 μA, or 1000 μA using DB10 and DB11 of Register 4 and by setting DB18 to 0 (CP reference source). In this mode, no external RSET is required. If DB18 is set to 1, the four nominal charge pump currents (I _{NOMINAL}) can be externally tweaked according to the following equation: $R_{SET} = \left(\frac{217.4 \times I_{CP}}{I_{NOMINAL}} \right) - 37.8 \Omega$ where I _{CP} is the base charge pump current in microamps. For further details on the charge pump current, see the Register 4—PLL Charge Pump, PFD, and Reference Path Control section. |
| 6 | REFIN | Reference Input. The nominal input level is 1 V p-p. Input range is 12 MHz to 160 MHz. This pin has high input impedance and should be ac-coupled. If REFIN is being driven by laboratory test equipment, the pin should be externally terminated with a 50 Ω resistor (place the ac-coupling capacitor between the pin and the resistor). When driven from an 50 Ω RF signal generator, the recommended input level is 4 dBm. |
| 8 | MUXOUT | Multiplexer Output. This output allows a digital lock detect signal, a voltage proportional to absolute temperature (VPTAT), or a buffered, frequency-scaled reference signal to be accessed externally. The output is selected by programming DB21 to DB23 in Register 4. |
| 9 | DECL2 | Decoupling Node for 2.5 V LDO. Connect 100 pF, 0.1 μF, and 10 μF capacitors between this pin and ground. |
| 12 | DATA | Serial Data Input. The serial data input is loaded MSB first with the three LSBs being the control bits. |

| Pin No. | Mnemonic | Description |
|----------------|----------------|---|
| 13 | CLK | Serial Clock Input. This serial clock input is used to clock in the serial data to the registers. The data is latched into the 24-bit shift register on the CLK rising edge. Maximum clock frequency is 20 MHz. |
| 14 | LE | Latch Enable. When the LE input pin goes high, the data stored in the shift registers is loaded into one of the six registers, the relevant latch being selected by the first three control bits of the 24-bit word. |
| 16 | ENOP | Modulator Output Enable/Disable. See Table 6. |
| 18, 19, 32, 33 | QP, QN, IN, IP | Modulator Baseband Inputs. Differential in-phase and quadrature baseband inputs. These inputs should be dc-biased to 0.5 V. |
| 26 | RFOUT | RF Output. Single-ended, 50 Ω internally biased RF output. RFOUT must be ac-coupled to its load. |
| 36 | LOSEL | LO Select. This digital input pin determines whether the LOP and LON pins operate as inputs or outputs. This pin should not be left floating. LOP and LON become inputs if the LOSEL pin is set low and the LDRV bit of Register 5 is set low. In addition to setting LOSEL and LDRV low and providing an external 2 \times LO, the LXL bit of Register 5 (DB4) must be set to 1 to direct the external LO to the IQ modulator. LON and LOP become outputs when LOSEL is high or if the LDRV bit of Register 5 (DB3) is set to 1. A 1 \times LO or 2 \times LO output can be selected by setting the LDIV bit of Register 5 (DB5) to 1 or 0 respectively (see Table 7). |
| 37, 38 | LON, LOP | Local Oscillator Input/Output. The internally generated 1 \times LO or 2 \times LO is available on these pins. When internal LO generation is disabled, an external 1 \times LO or 2 \times LO can be applied to these pins. |
| 39 | VTUNE | VCO Control Voltage Input. This pin is driven by the output of the loop filter. Nominal input voltage range on this pin is 1.3 V to 2.5 V. If the external VCO mode is activated, this pin can be left open. |
| 40 | DECL3 | Decoupling Node for VCO LDO. Connect a 100 pF capacitor and a 10 μ F capacitor between this pin and ground. |
| | EP | Exposed Paddle. The exposed paddle should be soldered to a low impedance ground plane. |

Table 6. Enabling RFOUT

| ENOP | Register 5 Bit DB6 | RFOUT |
|----------------|--------------------|----------|
| X ¹ | 0 | Disabled |
| 0 | X ¹ | Disabled |
| 1 | 1 | Enabled |

¹ X = don't care.Table 7. LO Port Configuration^{1, 2}

| LON/LOP Function | LOSEL | Register 5 Bit DB5 (LDIV) | Register 5 Bit DB4 (LXL) | Register 5 Bit DB3 (LDRV) | Register 7 Bit DB4 (LDIV2) |
|------------------------|-------|---------------------------|--------------------------|---------------------------|----------------------------|
| Input (4 \times LO) | 0 | X | 1 | 0 | 0 |
| Input (2 \times LO) | 0 | X | 1 | 0 | 1 |
| Output (Disabled) | 0 | X | 0 | 0 | X |
| Output (1 \times LO) | 0 | 0 | 0 | 1 | 0 |
| Output (1 \times LO) | 1 | 0 | 0 | 0 | 0 |
| Output (1 \times LO) | 1 | 0 | 0 | 1 | 0 |
| Output (2 \times LO) | 0 | 1 | 0 | 1 | 0 |
| Output (2 \times LO) | 1 | 1 | 0 | 0 | 0 |
| Output (2 \times LO) | 1 | 1 | 0 | 1 | 0 |

¹ X = don't care.² LOSEL should not be left floating.

TYPICAL PERFORMANCE CHARACTERISTICS

$V_S = 5\text{ V}$; $T_A = 25^\circ\text{C}$; baseband I/Q amplitude = 1 V p-p differential sine waves in quadrature with a 500 mV dc bias; baseband I/Q frequency (f_{BB}) = 1 MHz; $f_{PFD} = 38.4\text{ MHz}$; $f_{REF} = 153.6\text{ MHz}$ at +4 dBm Re:50 Ω (1 V p-p); 130 kHz loop filter, unless otherwise noted.

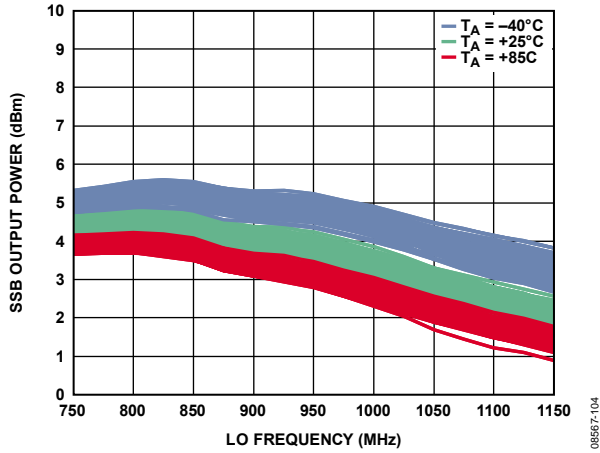


Figure 4. Single Sideband (SSB) Output Power (P_{OUT}) vs. LO Frequency (f_{LO}) and Temperature; Multiple Devices Shown

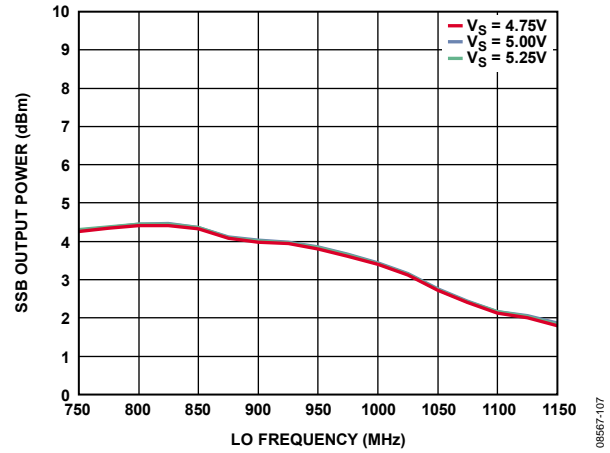


Figure 7. Single Sideband (SSB) Output Power (P_{OUT}) vs. LO Frequency (f_{LO}) and Power Supply; Multiple Devices Shown

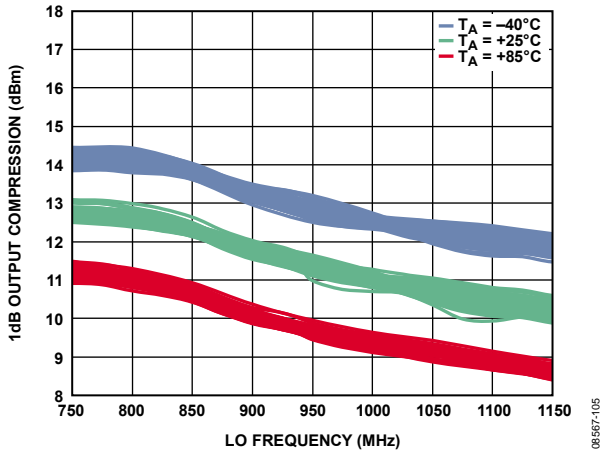


Figure 5. SSB Output 1dB Compression Point (OP_{1dB}) vs. LO Frequency (f_{LO}) and Temperature; Multiple Devices Shown

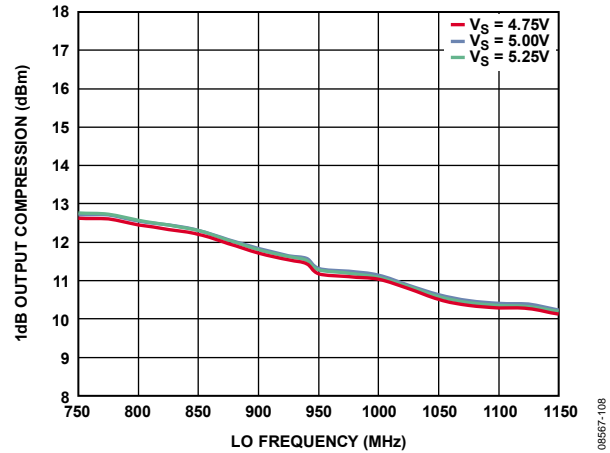


Figure 8. SSB Output 1dB Compression Point (OP_{1dB}) vs. LO Frequency (f_{LO}) and Power Supply

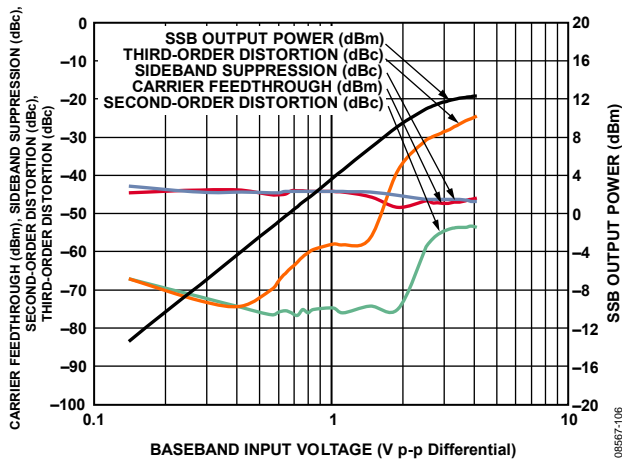


Figure 6. SSB Output Power, Second- and Third-Order Distortion, Carrier Feedthrough and Sideband Suppression vs. Baseband Differential Input Voltage ($f_{OUT} = 950\text{ MHz}$)

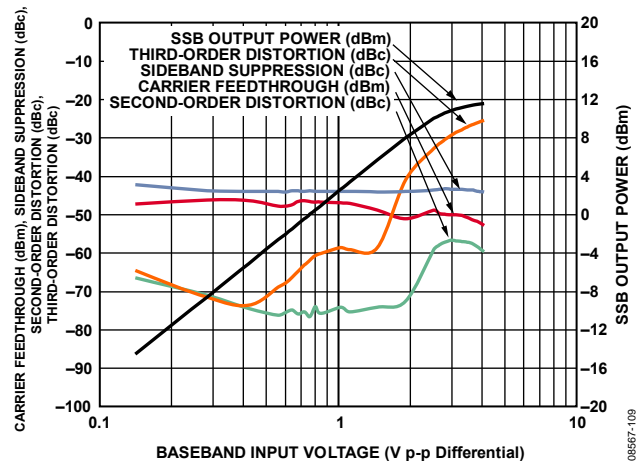


Figure 9. SSB Output Power, Second- and Third-Order Distortion, Carrier Feedthrough and Sideband Suppression vs. Baseband Differential Input Voltage ($f_{OUT} = 1100\text{ MHz}$)

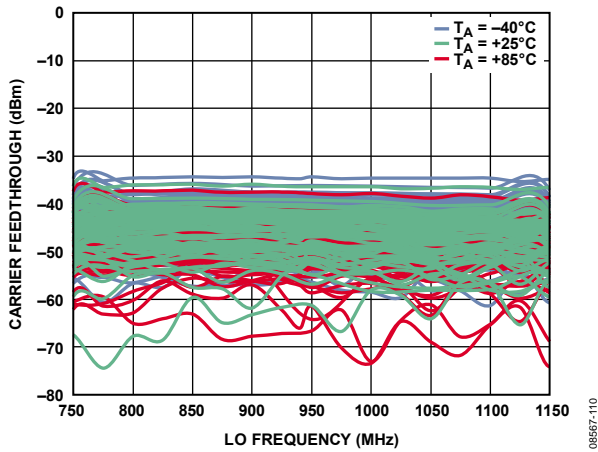


Figure 10. Carrier Feedthrough vs. LO Frequency (f_{LO}) and Temperature; Multiple Devices Shown

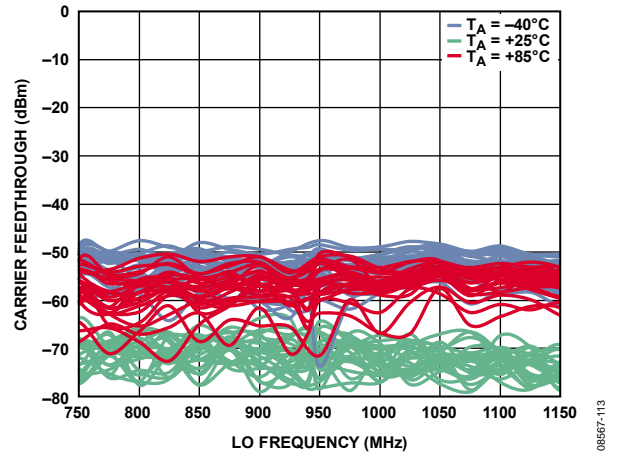


Figure 13. Carrier Feedthrough vs. LO Frequency (f_{LO}) and Temperature After Nulling at 25°C; Multiple Devices Shown

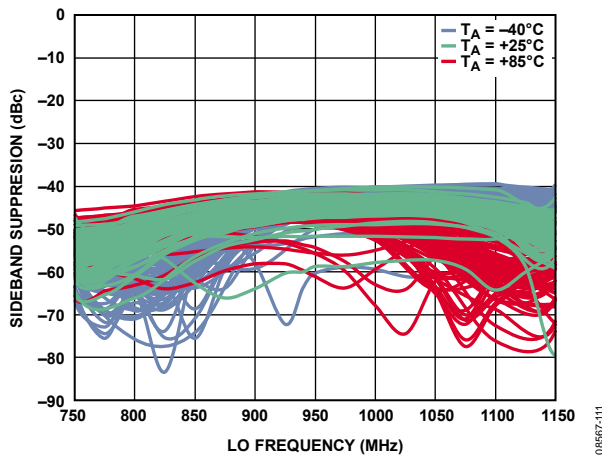


Figure 11. Sideband Suppression vs. LO Frequency (f_{LO}) and Temperature; Multiple Devices Shown

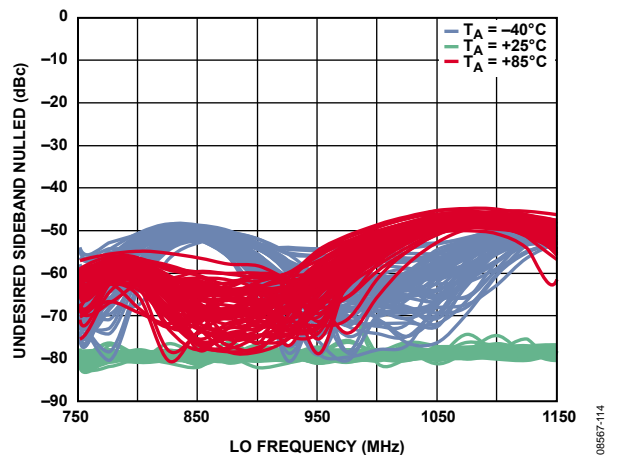


Figure 14. Sideband Suppression vs. LO Frequency (f_{LO}) and Temperature After Nulling at 25°C; Multiple Devices Shown

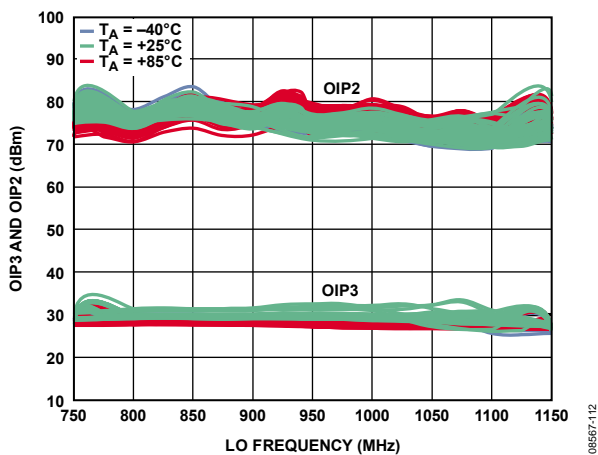


Figure 12. OIP3 and OIP2 vs. LO Frequency (f_{LO}) and Temperature ($P_{OUT} \approx -2$ dBm per Tone); Multiple Devices Shown

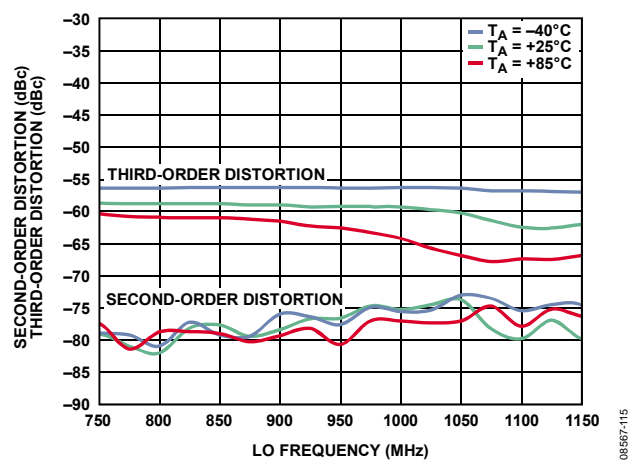


Figure 15. Second- and Third-Order Distortion vs. LO Frequency (f_{LO}) and Temperature

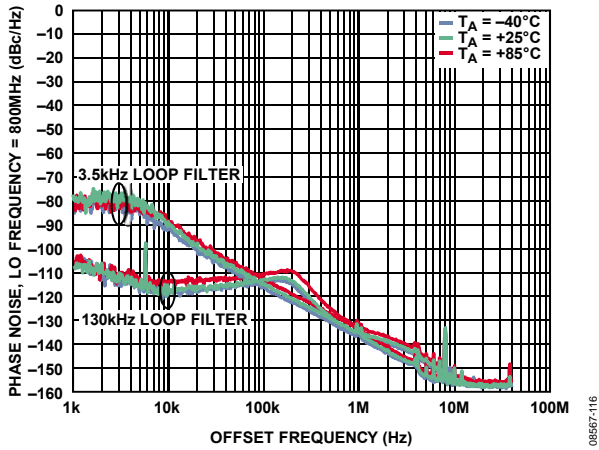


Figure 16. Phase Noise vs. Offset Frequency and Temperature, $f_{LO} = 800$ MHz

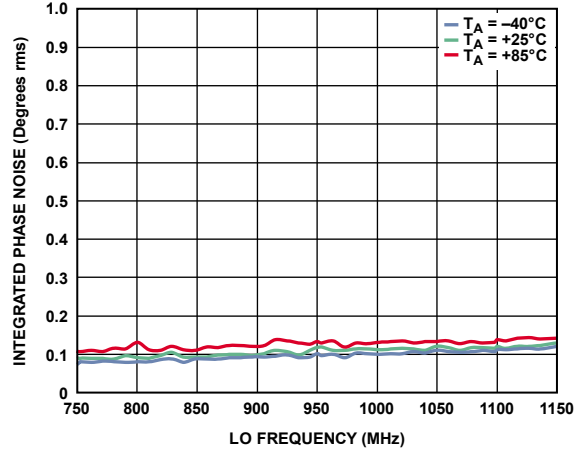


Figure 19. Integrated Phase Noise vs. LO Frequency

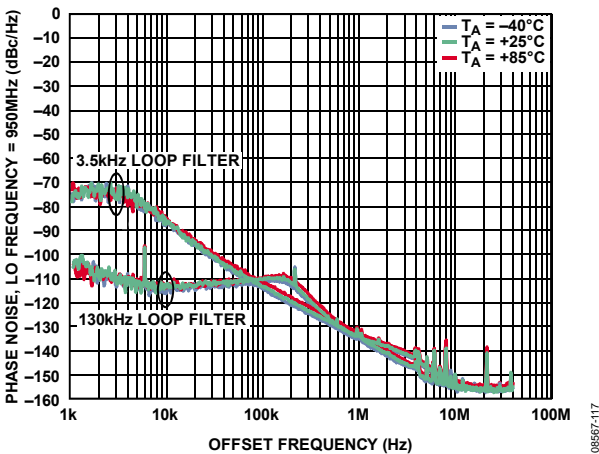


Figure 17. Phase Noise vs. Offset Frequency and Temperature, $f_{LO} = 950$ MHz

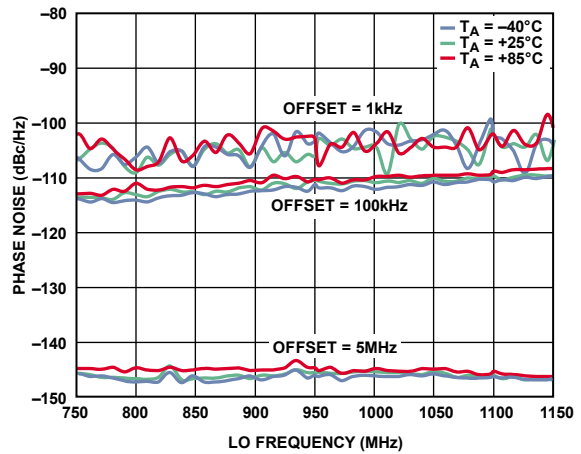


Figure 20. Phase Noise vs. LO Frequency at 1 kHz, 100 kHz, and 5 MHz Offsets

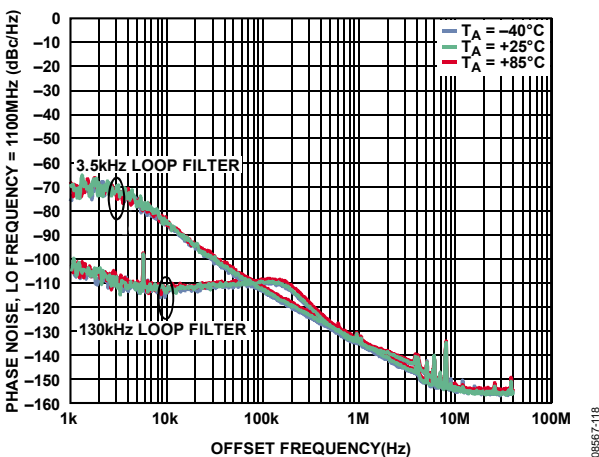


Figure 18. Phase Noise vs. Offset Frequency and Temperature, $f_{LO} = 1100$ MHz

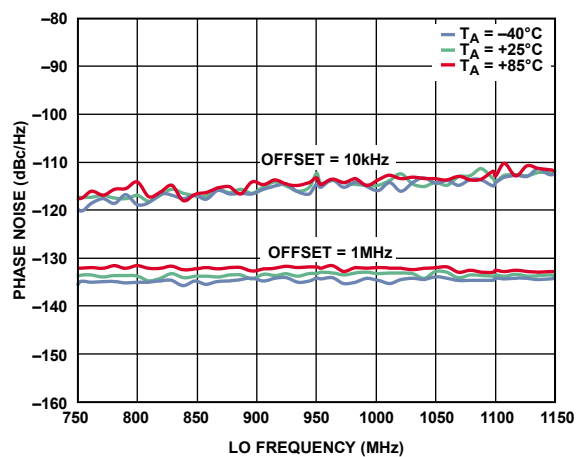


Figure 21. Phase Noise vs. LO Frequency at 10 kHz and 1 MHz Offsets

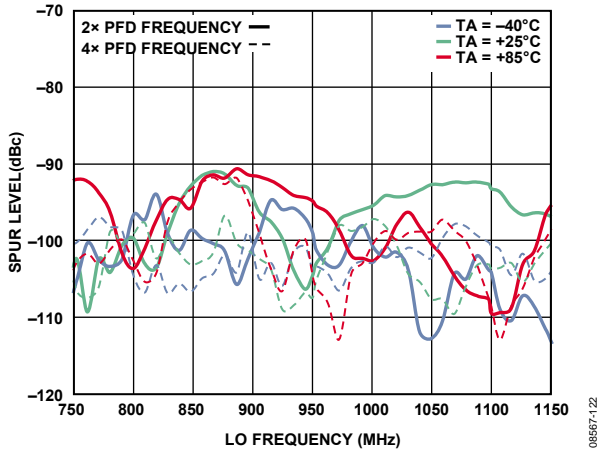


Figure 22. PLL Reference Spurs vs. LO Frequency (2x PFD and 4x PFD) at Modulator Output

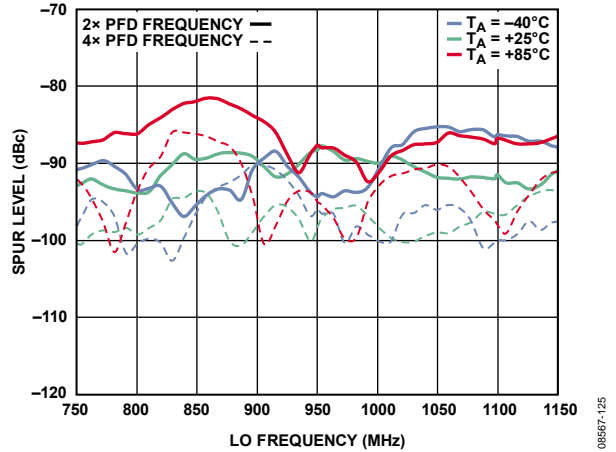


Figure 25. PLL Reference Spurs vs. LO Frequency (2x PFD and 4x PFD) at LO Output

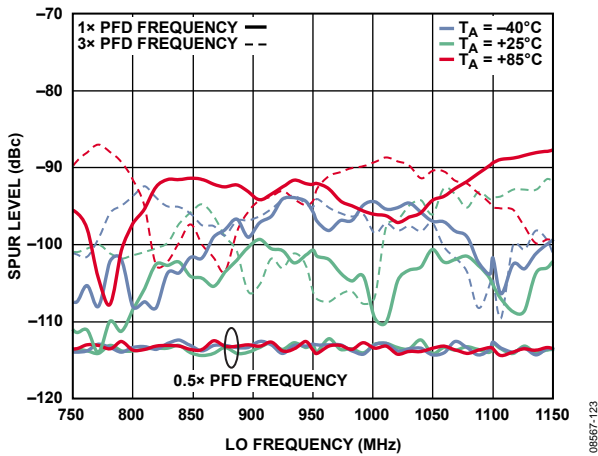


Figure 23. PLL Reference Spurs vs. LO Frequency (0.5x PFD, 1x PFD, and 3x PFD) at Modulator Output

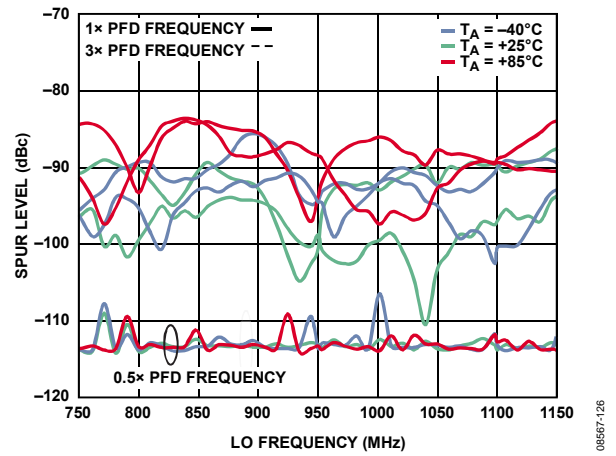


Figure 26. PLL Reference Spurs vs. LO Frequency (0.5x PFD, 1x PFD, and 3x PFD) at LO Output

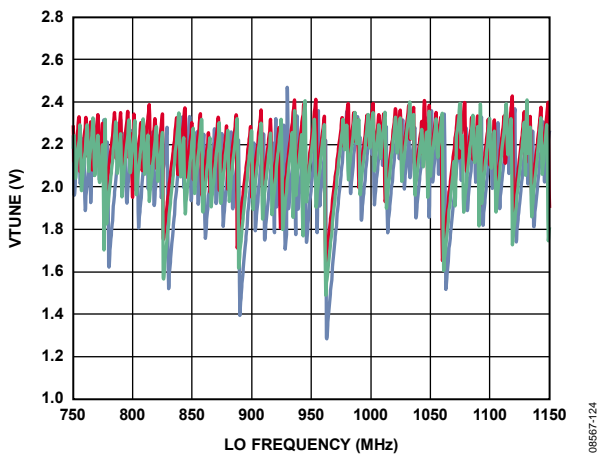


Figure 24. VTUNE vs. LO Frequency and Temperature

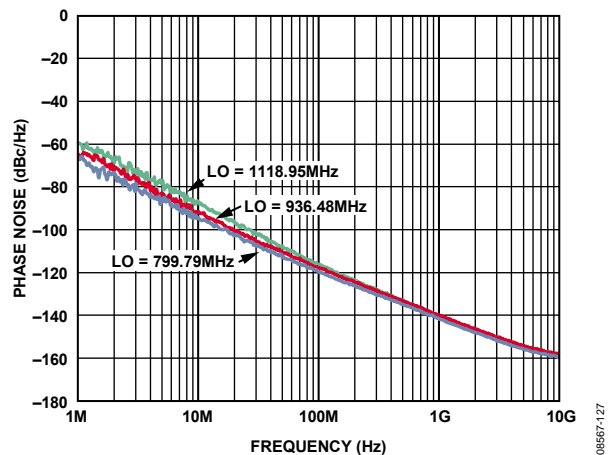


Figure 27. Open-Loop VCO Phase Noise at 799.79 MHz, 936.48 MHz, and 1118.95 MHz

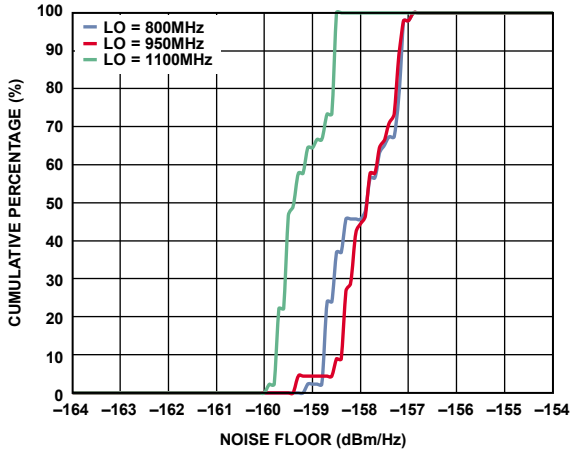


Figure 28. IQ Modulator Noise Floor Cumulative Distributions at 800 MHz, 950 MHz, and 1100 MHz

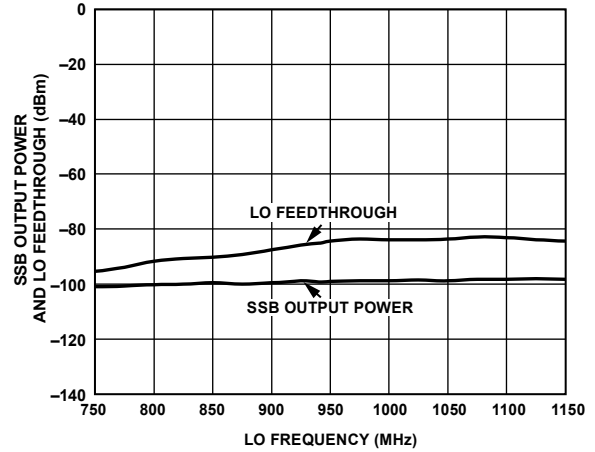


Figure 30. SSB Output Power and LO Feedthrough with RF Output Disabled

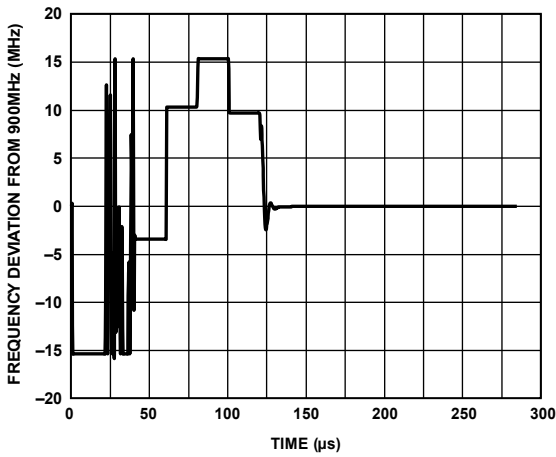


Figure 29. Frequency Deviation from LO Frequency at LO = 1.97 GHz to 1.96 GHz vs. Lock Time

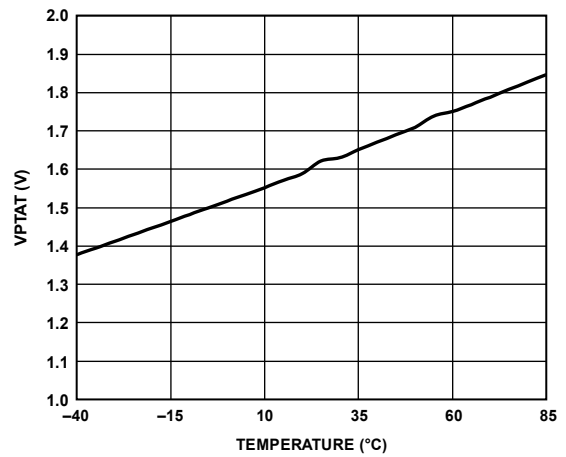


Figure 31. VPTAT Voltage vs. Temperature

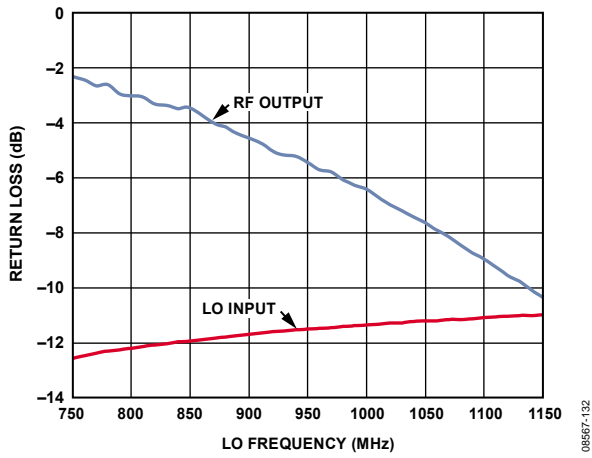


Figure 32. Input Return Loss of LO Input (LON, LOP Driven Through MABA-007159 1:1 Balun) and Output Return Loss of RFOUT vs. Frequency

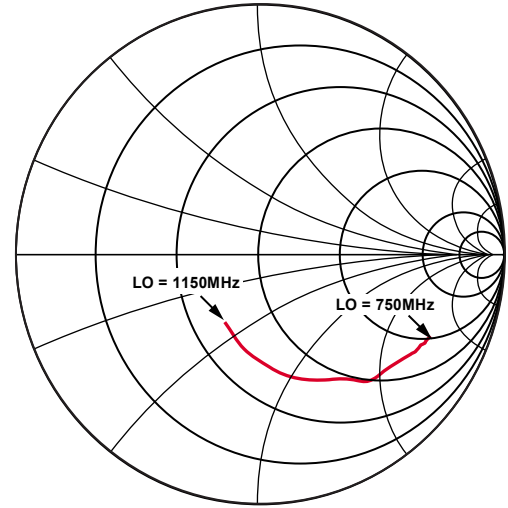


Figure 34. Smith Chart Representation of RF Output

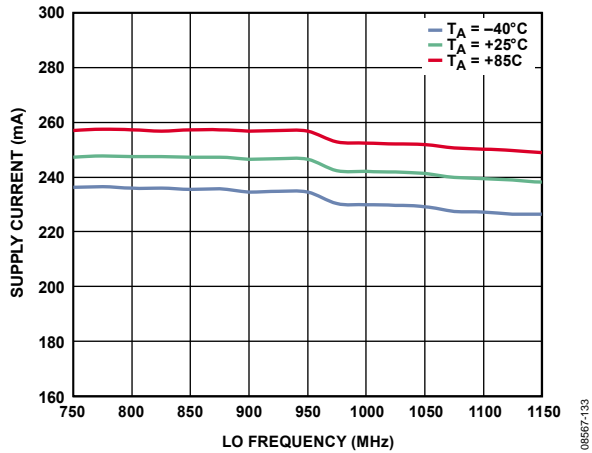


Figure 33. Power Supply Current vs. Frequency and Temperature (PLL and IQMOD Enabled, LO Buffer Disabled)

THEORY OF OPERATION

The [ADRF6701](#) integrates a high performance IQ modulator with a state of the art fractional-N PLL. The [ADRF6701](#) also integrates a low noise VCO. The programmable SPI port allows the user to control the fractional-N PLL functions and the modulator optimization functions. This includes the capability to operate with an externally applied LO or VCO.

The quadrature modulator core within the [ADRF6701](#) is a part of the next generation of industry-leading modulators from Analog Devices, Inc. The baseband inputs are converted to currents and then mixed to RF using high performance NPN transistors. The mixer output currents are transformed to a single-ended RF output using an integrated RF transformer balun. The high performance active mixer core, coupled with the low-loss RF transformer balun results in an exceptional OIP3 and OIP1dB, with a very low output noise floor for excellent dynamic range. The use of a passive transformer balun rather than an active output stage leads to an improvement in OIP3 with no sacrifice in noise floor. At 950 MHz, the [ADRF6701](#) typically provides an output P1dB of 10 dBm, OIP3 of 32 dBm, and an output noise floor of -157.8 dBm/Hz. Typical image rejection under these conditions is -44 dBc with no additional I and Q gain compensation.

PLL + VCO

The fractional divide function of the PLL allows the frequency multiplication value from REFIN to the LOP/LON outputs to be a fractional value rather than restricted to an integer as in traditional PLLs. In operation, this multiplication value is $INT + (FRAC/MOD)$ where INT is the integer value, FRAC is the fractional value, and MOD is the modulus value, all of which are programmable via the SPI port. In previous fractional-N PLL designs, the fractional multiplication was achieved by periodically changing the fractional value in a deterministic way. The downside of this was often spurious components close to the fundamental signal. In the [ADRF6701](#), a sigma delta modulator is used to distribute the fractional value randomly, thus significantly reducing the spurious content due to the fractional function.

BASIC CONNECTIONS FOR OPERATION

Figure 35 shows the basic connections for operating the [ADRF6701](#) as they are implemented on the device's evaluation board. The seven power supply pins should be individually decoupled using 100 pF and 0.1 μ F capacitors located as close as possible to the pins. A single 10 μ F capacitor is also recommended. The three internal decoupling nodes (labeled DECL3, DECL2, and DECL1) should be individually decoupled with capacitors as shown in Figure 35.

The four I and Q inputs should be driven with a bias level of 500 mV. These inputs are generally dc-coupled to the outputs of a dual DAC (see the DAC-to-IQ Modulator Interfacing and IQ Filtering sections for more information).

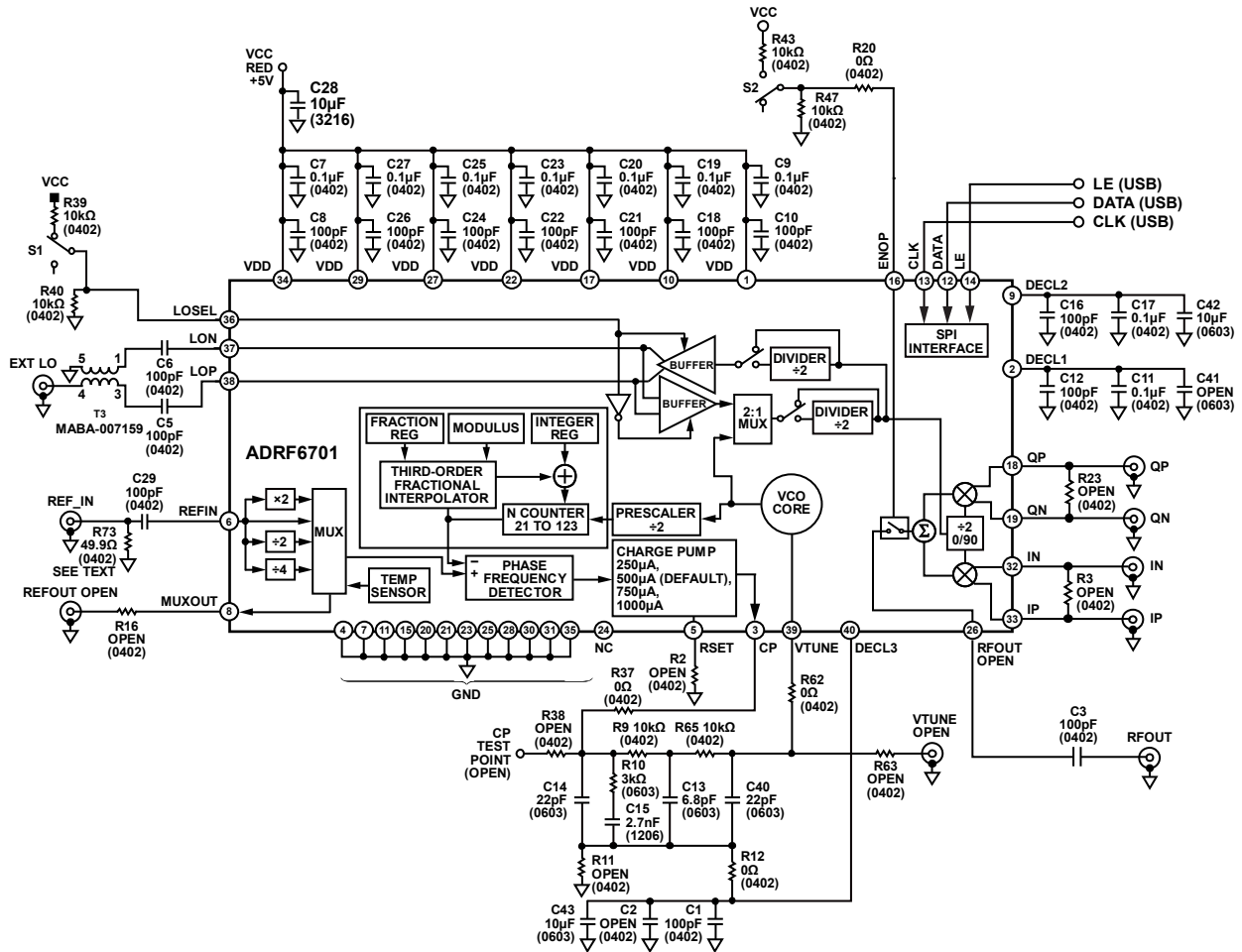
A 1 V p-p (0.353 V rms) differential sine wave on the I and Q inputs results in a single sideband output power of +4.1 dBm (at 950 MHz) at the RFOUT pin (this pin should be ac-coupled as shown in Figure 35). This corresponds to an IQ modulator voltage gain of -0.2 dB.

The reference frequency for the PLL (typically 1 V p-p between 12 MHz and 160 MHz) should be applied to the REFIN pin, which should be ac-coupled. If the REFIN pin is being driven from a 50 Ω source (for example, a lab signal generator), the pin should be terminated with 50 Ω as shown in Figure 35 (an RF drive level of +4 dBm should be applied). Multiples or fractions of the REFIN signal can be brought back off-chip at the multiplexer output pin (MUXOUT). A lock-detect signal and an analog voltage proportional to the ambient temperature can also be brought out on this pin by setting the appropriate bits on (DB21-DB23) in Register 4 (see the Register Description section).

EXTERNAL LO

The internally generated local oscillator (LO) signal can be brought off-chip as either a $1\times$ LO or a $2\times$ LO or a $4\times$ LO (via the LOP and LON pins) by asserting the LOSEL pin and making the appropriate internal register settings. The LO output must be disabled whenever the RF output of the IQ modulator is disabled.

The LOP and LON pins can also be used to apply an external LO. This can be used to bypass the internal PLL/VCO or if operation using an external VCO is desired. To turn off the PLL Register 6, Bits[20:17] must be zero.



NOTES
1. NC = NO CONNECT. DO NOT CONNECT TO THIS PIN.

Figure 35. Basic Connections for Operation (Loop Filter Set to 130 kHz)

09567-034

LOOP FILTER

The loop filter is connected between the CP and VTUNE pins. The return for the loop filter components should be to Pin 40 (DECL3). The loop filter design in Figure 35 results in a 3 dB loop bandwidth of 130 kHz. The ADRF6701 closed loop phase noise was also characterized using a 3.5 kHz loop filter design. The recommended components for both filter designs are shown in Table 8. For assistance in designing loop filters with other characteristics, download the most recent revision of ADIsimPLL™ from www.analog.com/adisimpll. Operation with an external VCO is possible. In this case, the return for the loop filter components is ground (assuming a ground reference on the external VCO tuning input). The output of the loop filter is connected to the external VCO's tuning pin. The output of the VCO is brought back into the device on the LOP and LON pins (using a balun if necessary).

Table 8. Recommended Loop Filter Components

| Component | 130 kHz Loop Filter | 3.5 kHz Loop Filter |
|-----------|---------------------|---------------------|
| C14 | 22 pF | 0.1 μF |
| R10 | 3 kΩ | 68 Ω |
| C15 | 2.7 nF | 4.7 μF |
| R9 | 10 kΩ | 270 Ω |
| C13 | 6.8 pF | 47 nF |
| R65 | 10 kΩ | 0 Ω |
| C40 | 22 pF | Open |
| R37 | 0 Ω | 0 Ω |
| R11 | Open | Open |
| R12 | 0 Ω | 0 Ω |

DAC-TO-IQ MODULATOR INTERFACING

The **ADRF6701** is designed to interface with minimal components to members of the Analog Devices, Inc., family of TxDACs®. These dual-channel differential current output DACs provide an output current swing from 0 mA to 20 mA. The interface described in this section can be used with any DAC that has a similar output.

An example of an interface using the **AD9122** TxDAC is shown in Figure 36. The baseband inputs of the **ADRF6701** require a dc bias of 500 mV. The average output current on each of the outputs of the **AD9122** is 10 mA. Therefore, a single 50 Ω resistor to ground from each of the DAC outputs results in an average current of 10 mA flowing through each of the resistors, thus producing the desired 500 mV dc bias for the inputs to the **ADRF6701**.

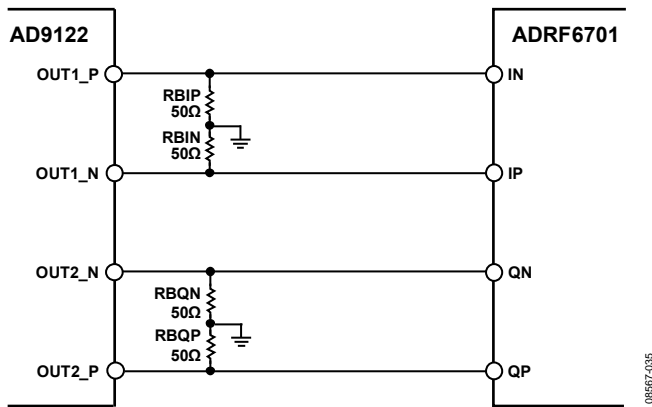


Figure 36. Interface Between the **AD9122** and **ADRF6701** with 50 Ω Resistors to Ground to Establish the 500 mV DC Bias for the **ADRF6701** Baseband Inputs

The **AD9122** output currents have a swing that ranges from 0 mA to 20 mA. With the 50 Ω resistors in place, the ac voltage swing going into the **ADRF6701** baseband inputs ranges from 0 V to 1 V (with the DAC running at 0 dBFS). So the resulting drive signal from each differential pair is 2 V p-p differential with a 500 mV dc bias.

ADDING A SWING-LIMITING RESISTOR

The voltage swing for a given DAC output current can be reduced by adding a third resistor to the interface. This resistor is placed in the shunt across each differential pair, as shown in Figure 37. It has the effect of reducing the ac swing without changing the dc bias already established by the 50 Ω resistors.

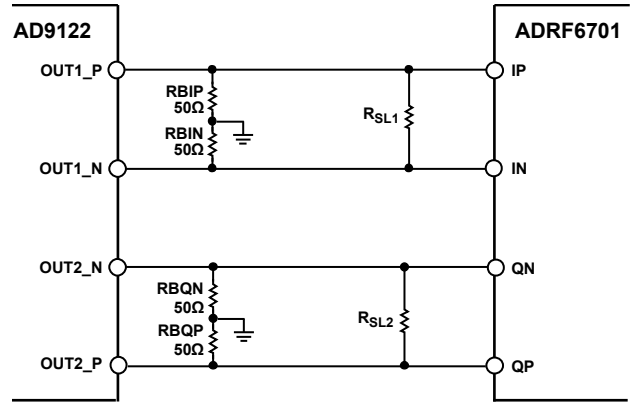


Figure 37. AC Voltage Swing Reduction Through the Introduction of a Shunt Resistor Between the Differential Pair

The value of this ac voltage swing limiting resistor (R_{SL} , as shown in Figure 37) is chosen based on the desired ac voltage swing and IQ modulator output power. Figure 38 shows the relationship between the swing-limiting resistor and the peak-to-peak ac swing that it produces when 50 Ω bias-setting resistors are used. A higher value of swing-limiting resistor will increase the output power of the **ADRF6701** and signal-to-noise ratio (SNR) at the cost of higher intermodulation distortion. For most applications, the optimum value for this resistor will be between 100 Ω and 300 Ω.

When setting the size of the swing-limiting resistor, the input impedance of the I and Q inputs should be taken into account. The I and Q inputs have a differential input resistance of 920 Ω. As a result, the effective value of the swing-limiting resistance is 920 Ω in parallel with the chosen swing-limiting resistor. For example, if a swing-limiting resistance of 200 Ω is desired (based on Figure 37), the value of R_{SL} should be set such that

$$200 \Omega = (920 \times R_{SL}) / (920 + R_{SL})$$

resulting in a value for R_{SL} of 255 Ω.

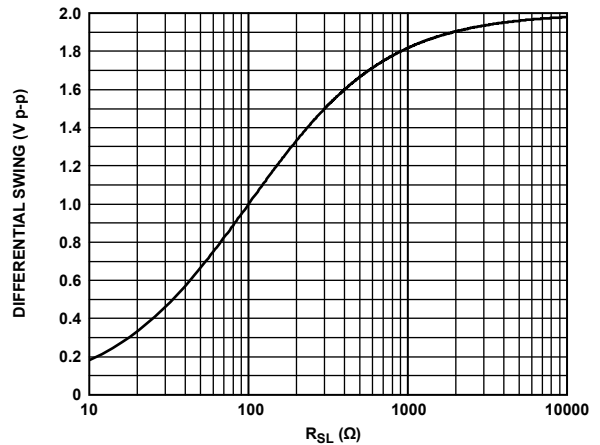


Figure 38. Relationship Between the AC Swing-Limiting Resistor and the Peak-to-Peak Voltage Swing with 50 Ω Bias-Setting Resistors

IQ FILTERING

An antialiasing filter must be placed between the DAC and modulator to filter out Nyquist images and broadband DAC noise. The interface for setting up the biasing and ac swing discussed in the Adding a Swing-Limiting Resistor section, lends itself well to the introduction of such a filter. The filter can be inserted between the dc bias setting resistors and the ac swing-limiting resistor. Doing so establishes the input and output impedances for the filter.

Unless a swing-limiting resistor of 100 Ω is chosen, the filter must be designed to support different source and load impedances. In addition, the differential input capacitance of the I and Q inputs (1 pF) should be factored into the filter design. Modern filter design tools allow for the simulation and design of filters with differing source and load impedances as well as inclusion of reactive load components.

BASEBAND BANDWIDTH

Figure 39 shows the frequency response of the ADRF6701’s baseband inputs. This plot shows 0.5 dB and 3 dB bandwidths of 350 MHz and 750 MHz respectively. Any flatness variations across frequency at the ADRF6701 RF output have been calibrated out of this measurement.

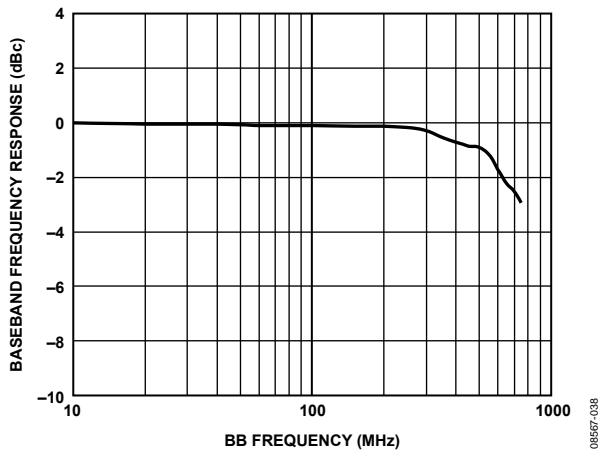


Figure 39. Baseband Bandwidth

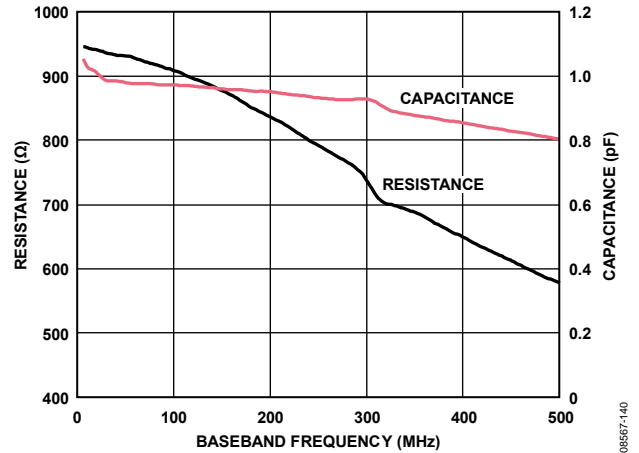


Figure 40. Differential Baseband Input R and C (Shunt R, Shunt C)

DEVICE PROGRAMMING AND REGISTER SEQUENCING

The device is programmed via a 3-pin SPI port. The timing requirements for the SPI port are shown in Table 3 and Figure 2.

Eight programmable registers, each with 24 bits, control the operation of the device. The register functions are listed in Table 9. The eight registers should initially be programmed in reverse order, starting with Register 7 and finishing with Register 0. Once all eight registers have been initially programmed, any of the registers can be updated without any attention to sequencing.

Software is available on the ADRF6701 product page at www.analog.com that allows programming of the evaluation board from a PC running Windows® XP or Windows Vista.

To operate correctly under Windows XP, Version 3.5 of Microsoft .NET must be installed. To run the software on a Windows 7 PC, XP emulation mode must be used (using Virtual PC).

REGISTER SUMMARY

Table 9. Register Functions

| Register | Function |
|------------|--|
| Register 0 | Integer divide control (for the PLL) |
| Register 1 | Modulus divide control (for the PLL) |
| Register 2 | Fractional divide control (for the PLL) |
| Register 3 | Σ - Δ modulator dither control |
| Register 4 | PLL charge pump, PFD, and reference path control |
| Register 5 | LO path and modulator control |
| Register 6 | VCO control and VCO enable |
| Register 7 | External VCO enable |

REGISTER DESCRIPTION

REGISTER 0—INTEGER DIVIDE CONTROL (DEFAULT: 0x0001C0)

With Register 0, Bits[2:0] set to 000, the on-chip integer divide control register is programmed as shown in Figure 41.

Divide Mode

Divide mode determines whether fractional mode or integer mode is used. In integer mode, the RF VCO output frequency (f_{VCO}) is calculated by

$$f_{VCO} = 2 \times f_{PFD} \times (INT) \tag{1}$$

where:

f_{VCO} is the output frequency of the internal VCO.

f_{PFD} is the frequency of operation of the phase-frequency detector.

INT is the integer divide ratio value (21 to 123 in integer mode).

Integer Divide Ratio

The integer divide ratio bits are used to set the integer value in Equation 2. The INT, FRAC, and MOD values make it possible to generate output frequencies that are spaced by fractions of the PFD frequency. The VCO frequency (f_{VCO}) equation is

$$f_{VCO} = 2 \times f_{PFD} \times (INT + (FRAC/MOD)) \tag{2}$$

where:

INT is the preset integer divide ratio value (24 to 119 in fractional mode).

MOD is the preset fractional modulus (1 to 2047).

$FRAC$ is the preset fractional divider ratio value (0 to $MOD - 1$).

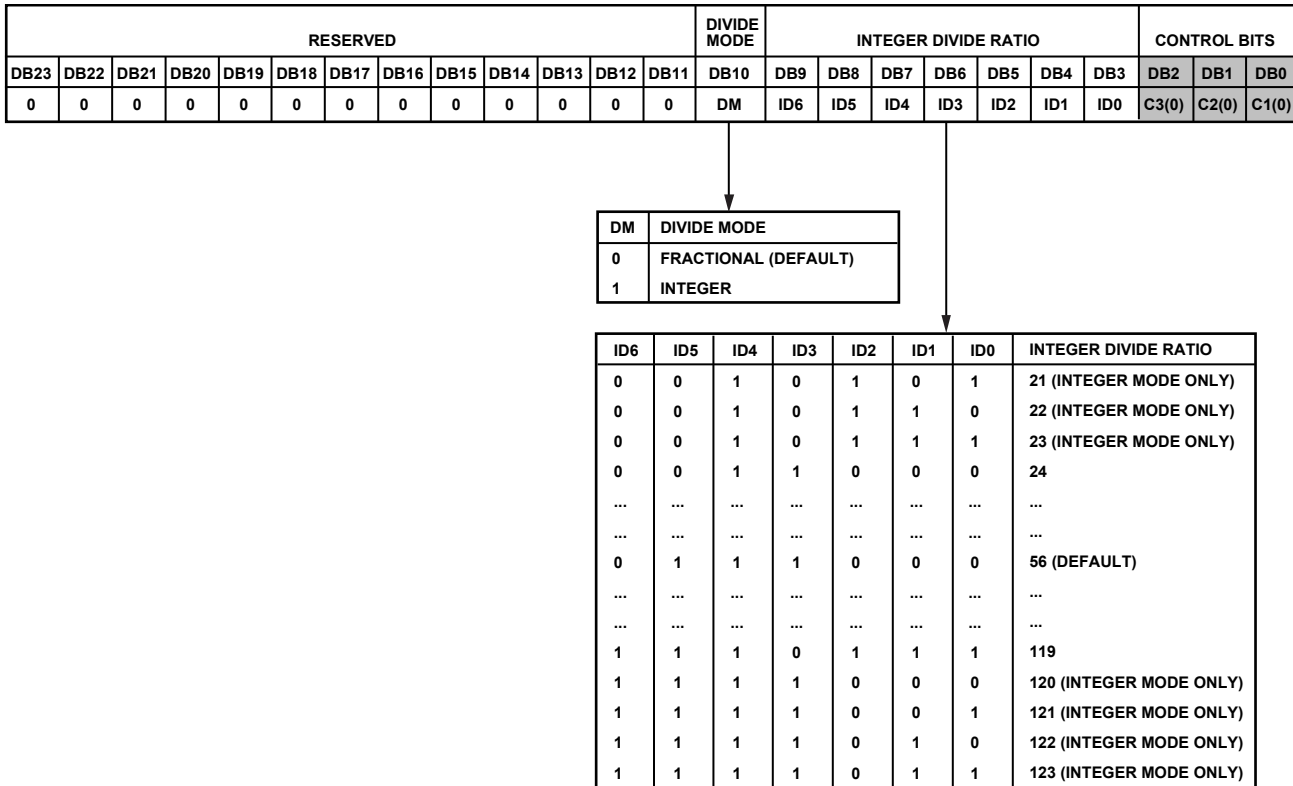


Figure 41. Register 0—Integer Divide Control Register Map

0867-09

REGISTER 1—MODULUS DIVIDE CONTROL (DEFAULT: 0x003001)

With Register 1, Bits[2:0] set to 001, the on-chip modulus divide control register is programmed as shown in Figure 42.

Modulus Value

The modulus value is the preset fractional modulus ranging from 1 to 2047.

REGISTER 2—FRACTIONAL DIVIDE CONTROL (DEFAULT: 0x001802)

With Register 2, Bits[2:0] set to 010, the on-chip fractional divide control register is programmed as shown in Figure 43.

Fractional Value

The FRAC value is the preset fractional modulus ranging from 0 to <MDR.

| RESERVED | | | | | | | | | | MODULUS VALUE | | | | | | | | | | CONTROL BITS | | | |
|----------|------|------|------|------|------|------|------|------|------|---------------|------|------|------|-----|-----|-----|-----|-----|-----|--------------|-------|-------|-------|
| DB23 | DB22 | DB21 | DB20 | DB19 | DB18 | DB17 | DB16 | DB15 | DB14 | DB13 | DB12 | DB11 | DB10 | DB9 | DB8 | DB7 | DB6 | DB5 | DB4 | DB3 | DB2 | DB1 | DB0 |
| 0 | 0 | 0 | 0 | 0 | 0 | 0 | 0 | 0 | 0 | MD10 | MD9 | MD8 | MD7 | MD6 | MD5 | MD4 | MD3 | MD2 | MD1 | MD0 | C3(0) | C2(0) | C1(1) |

| MD10 | MD9 | MD8 | MD7 | MD6 | MD5 | MD4 | MD3 | MD2 | MD1 | MD0 | MODULUS VALUE |
|------|-----|-----|-----|-----|-----|-----|-----|-----|-----|-----|----------------|
| 0 | 0 | 0 | 0 | 0 | 0 | 0 | 0 | 0 | 0 | 1 | 1 |
| 0 | 0 | 0 | 0 | 0 | 0 | 0 | 0 | 0 | 1 | 0 | 2 |
| ... | ... | ... | ... | ... | ... | ... | ... | ... | ... | ... | ... |
| ... | ... | ... | ... | ... | ... | ... | ... | ... | ... | ... | ... |
| 1 | 1 | 0 | 0 | 0 | 0 | 0 | 0 | 0 | 0 | 0 | 1536 (DEFAULT) |
| ... | ... | ... | ... | ... | ... | ... | ... | ... | ... | ... | ... |
| ... | ... | ... | ... | ... | ... | ... | ... | ... | ... | ... | ... |
| 1 | 1 | 1 | 1 | 1 | 1 | 1 | 1 | 1 | 1 | 1 | 2047 |

Figure 42. Register 1—Modulus Divide Control Register Map

08567-040

| RESERVED | | | | | | | | | | FRACTIONAL VALUE | | | | | | | | | | CONTROL BITS | | | |
|----------|------|------|------|------|------|------|------|------|------|------------------|------|------|------|-----|-----|-----|-----|-----|-----|--------------|-------|-------|-------|
| DB23 | DB22 | DB21 | DB20 | DB19 | DB18 | DB17 | DB16 | DB15 | DB14 | DB13 | DB12 | DB11 | DB10 | DB9 | DB8 | DB7 | DB6 | DB5 | DB4 | DB3 | DB2 | DB1 | DB0 |
| 0 | 0 | 0 | 0 | 0 | 0 | 0 | 0 | 0 | 0 | FD10 | FD9 | FD8 | FD7 | FD6 | FD5 | FD4 | FD3 | FD2 | FD1 | FD0 | C3(0) | C2(1) | C1(0) |

| FD10 | FD9 | FD8 | FD7 | FD6 | FD5 | FD4 | FD3 | FD2 | FD1 | FD0 | FRACTIONAL VALUE |
|------|-----|-----|-----|-----|-----|-----|-----|-----|-----|-----|------------------|
| 0 | 0 | 0 | 0 | 0 | 0 | 0 | 0 | 0 | 0 | 0 | 0 |
| 0 | 0 | 0 | 0 | 0 | 0 | 0 | 0 | 0 | 0 | 1 | 1 |
| ... | ... | ... | ... | ... | ... | ... | ... | ... | ... | ... | ... |
| ... | ... | ... | ... | ... | ... | ... | ... | ... | ... | ... | ... |
| 0 | 1 | 1 | 0 | 0 | 0 | 0 | 0 | 0 | 0 | 0 | 768 (DEFAULT) |
| ... | ... | ... | ... | ... | ... | ... | ... | ... | ... | ... | ... |
| ... | ... | ... | ... | ... | ... | ... | ... | ... | ... | ... | ... |
| ... | ... | ... | ... | ... | ... | ... | ... | ... | ... | ... | <MDR |

FRACTIONAL VALUE MUST BE LESS THAN MODULUS.

Figure 43. Register 2—Fractional Divide Control Register Map

08567-041

REGISTER 3—Σ-Δ MODULATOR DITHER CONTROL (DEFAULT: 0x10000B)

With Register 3, Bits[2:0] set to 011, the on-chip Σ-Δ modulator dither control register is programmed as shown in Figure 44. The recommended and default setting for dither enable is enabled (1).

The default value of the dither magnitude (15) should be set to a recommended value of 1.

The dither restart value can be programmed from 0 to $2^{17} - 1$, though a value of 1 is typically recommended.

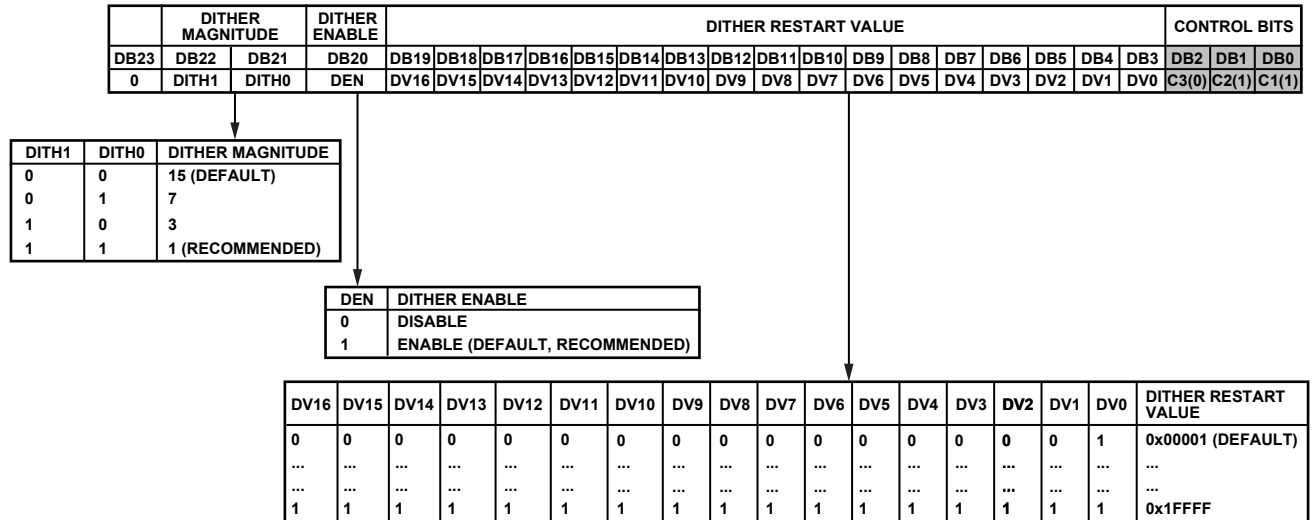


Figure 44. Register 3—Σ-Δ Modulator Dither Control Register Map

08587-042

REGISTER 4—PLL CHARGE PUMP, PFD, AND REFERENCE PATH CONTROL (DEFAULT: 0x12A7E4)

With Register 4, Bits[2:0] set to 100, the on-chip charge pump, PFD, and reference path control register is programmed as shown in Figure 45.

CP Current

The nominal charge pump current can be set to 250 μA , 500 μA , 750 μA , or 1000 μA using DB10 and DB11 of Register 4 and by setting DB18 to 0 (CP reference source).

In this mode, no external RSET is required. If DB18 is set to 1, the four nominal charge pump currents (I_{NOMINAL}) can be externally tweaked according to the following equation:

$$R_{\text{SET}} = \left(\frac{217.4 \times I_{\text{CP}}}{I_{\text{NOMINAL}}} \right) - 37.8 \Omega \quad (3)$$

where I_{CP} is the base charge pump current in microamps.

The PFD phase offset multiplier ($\theta_{\text{PFD,OFFS}}$), which is set by Bits[16:12] of Register 4, causes the PLL to lock with a nominally fixed phase offset between the PFD reference signal and the divided-down VCO signal. This phase offset is used to linearize the PFD-to-CP transfer function and can improve

fractional spurs. The magnitude of the phase offset is determined by the following equation:

$$|\Delta\Phi|(\text{deg}) = 22.5 \frac{\theta_{\text{PFD,OFFS}}}{I_{\text{CP,MULT}}} \quad (4)$$

The default value of the phase offset multiplier ($10 \times 22.5^\circ$) should be set to a recommended value of $6 \times 22.5^\circ$.

This phase offset can be either positive or negative depending on the value of DB17 in Register 4.

The reference frequency applied to the PFD can be manipulated using the internal reference path source. The external reference frequency applied can be internally scaled in frequency by 2 \times , 1 \times , 0.5 \times , or 0.25 \times . This allows a broader range of reference frequency selections while keeping the reference frequency applied to the PFD within an acceptable range.

The device also has a MUXOUT pin that can be programmed to output a selection of several internal signals. The default mode is to provide a lock-detect output to allow the user to verify when the PLL has locked to the target frequency. In addition, several other internal signals can be passed to the MUXOUT pin as described in Figure 35.

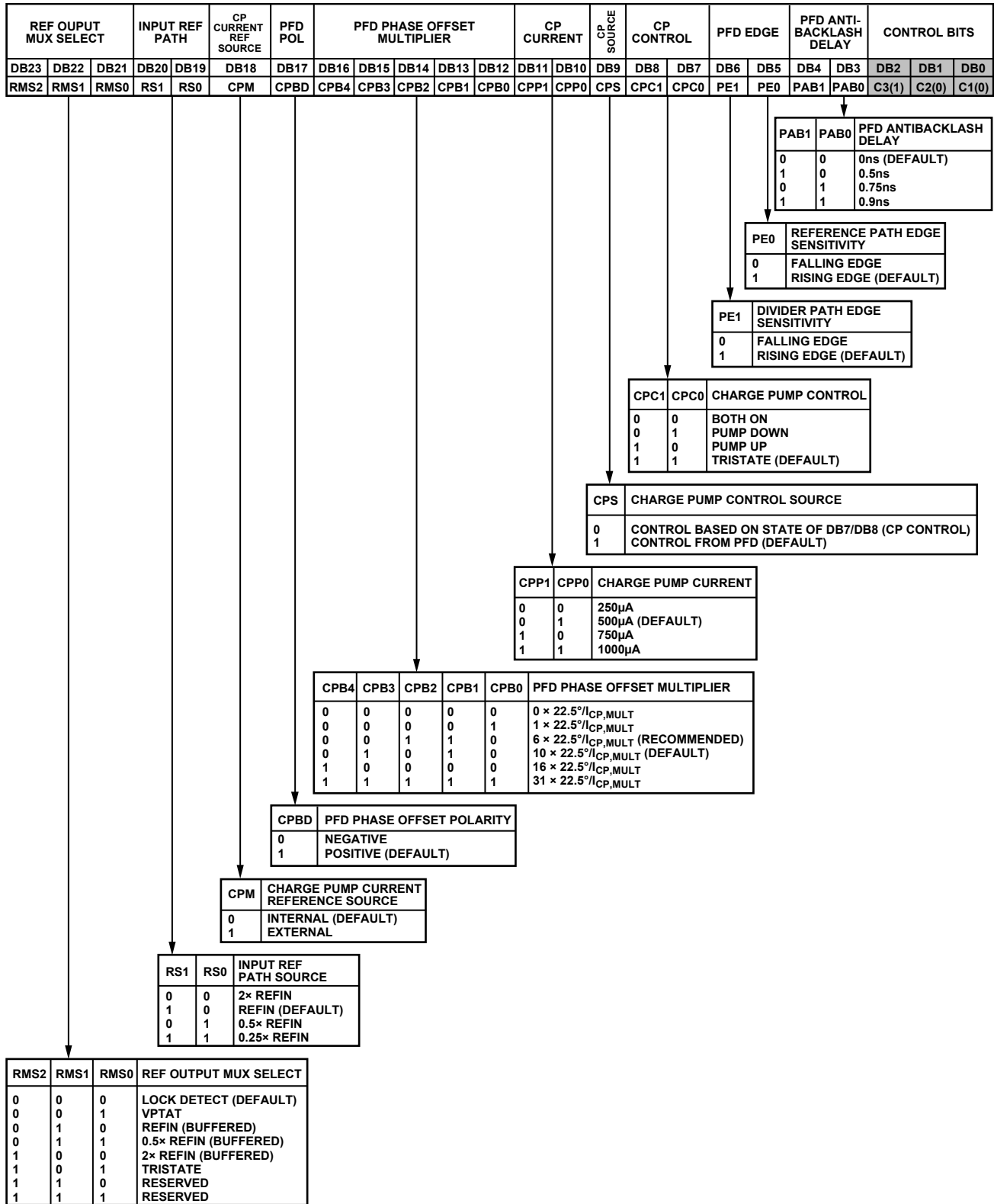


Figure 45. Register 4—PLL Charge Pump, PFD, and Reference Path Control Register Map

06957-043

REGISTER 5—LO PATH AND MODULATOR CONTROL (DEFAULT: 0X0000E5)

With Register 5, Bits[2:0] set to 101, the LO path and modulator control register is programmed as shown in Figure 46.

The modulator output or the complete modulator can be disabled using the modulator bias enable and modulator output enable addresses of Register 5.

The LO port (LOP and LON pins) can be used to apply an external 2× LO or 4× LO (that is, bypass internal PLL) to the IQ modulator. A differential LO drive of 0 dBm is recommended.

The LO port can also be used as an output where a 2× LO or 1× LO can be brought out and used to drive another mixer. The nominal output power provided at the LO port is 3 dBm.

The mode of operation of the LO port is determined by the status of the LOSEL pin (3.3 V logic) along with the settings in a number of internal registers (see Table 10).

The internal VCO of the device can also be bypassed. In this case, the charge pump output drives an external VCO through the loop filter. The loop is completed by routing the VCO into the device through the LO port.

Table 10. LO Port Configuration^{1,2}

| LON/LOP Function | LOSEL | Register 5 Bit DB5 (LDIV) | Register 5 Bit DB4 (LXL) | Register 5 Bit DB3 (LDRV) | Register 7 Bit DB4 (LDIV2) |
|-------------------|-------|---------------------------|--------------------------|---------------------------|----------------------------|
| Input (4× LO) | 0 | X | 1 | 0 | 0 |
| Input (2× LO) | 0 | X | 1 | 0 | 1 |
| Output (Disabled) | 0 | X | 0 | 0 | X |
| Output (1× LO) | 0 | 0 | 0 | 1 | 0 |
| Output (1× LO) | 1 | 0 | 0 | 0 | 0 |
| Output (1× LO) | 1 | 0 | 0 | 1 | 0 |
| Output (2× LO) | 0 | 1 | 0 | 1 | 0 |
| Output (2× LO) | 1 | 1 | 0 | 0 | 0 |
| Output (2× LO) | 1 | 1 | 0 | 1 | 0 |

¹ X = don't care.

² LOSEL should not be left floating.

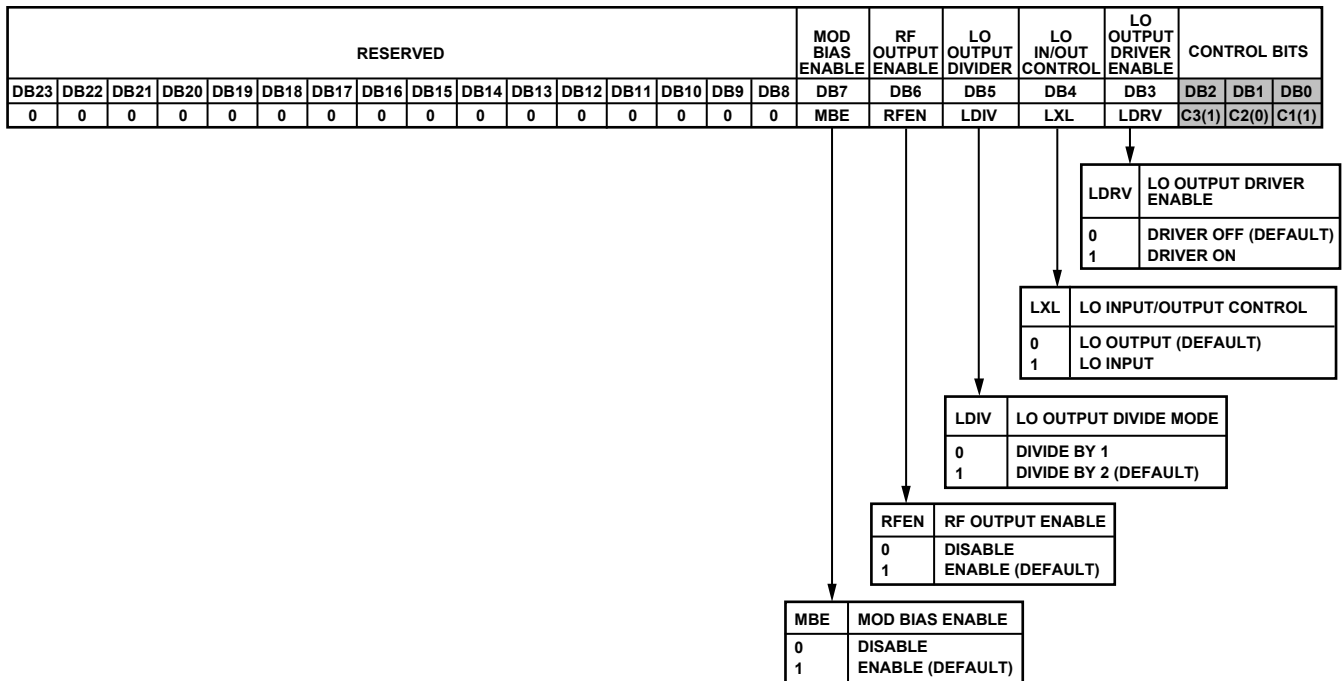


Figure 46. Register 5—LO Path and Modulator Control Register Map

08587-044

REGISTER 6—VCO CONTROL AND VCO ENABLE (DEFAULT: 0X1E2106)

With Register 6, Bits[2:0] set to 110, the VCO control and enable register is programmed as shown in Figure 47.

The VCO tuning band is normally selected automatically by the band calibration algorithm, although the user can directly select the VCO band using Register 6.

The VCO BSSRC bit (DB9) determines whether the result of the calibration algorithm is used to select the VCO band or if the band selected is based on the value in VCO band select (DB8 to DB3).

The VCO amplitude can be controlled through Register 6. The VCO amplitude setting can be controlled between 0 and 63. The default value of 8 should be set to a recommended value of 63.

The internal VCOs can be disabled using Register 6.

The internal charge pump can be disabled through Register 6. By default, the charge pump is enabled.

To turn off the PLL (for example, if the ADRF6701 is being driven by an external LO), set Register 6, Bits[20:17] to zero.

REGISTER 7—EXTERNAL VCO ENABLE AND SECOND LO DIVIDER

With Register 7, Bits[2:0] set to 111, the external VCO control register is programmed as shown in Figure 48.

The external VCO enable bit allows the use of an external VCO in the PLL instead of the internal VCO. This can be advantageous in cases where the internal VCO is not capable of providing the desired frequency or where the internal VCO's phase noise is higher than desired. By setting this bit (DB22) to 1, and setting Register 6, Bits[15:10] to 0, the internal VCO is disabled, and the output of an external VCO can be fed into the part differentially on Pin 38 and Pin 37 (LOP and LON). Because the loop filter is already external, the output of the loop filter simply needs to be connected to the external VCO's tuning voltage pin.

In addition, Register 7 provides control over a divide-by-2 block in the LO path using Bit DB4. If DB4 is set to 1, then the divide-by-2 block is bypassed, and an external 2x LO can be used to drive the modulator.

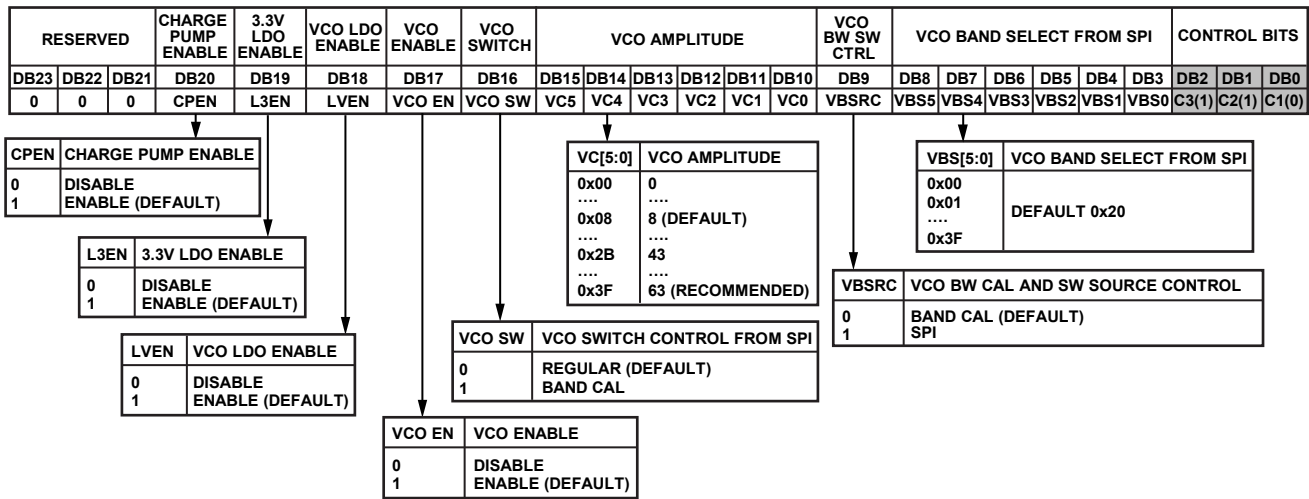


Figure 47. Register 6—VCO Control and VCO Enable Register Map

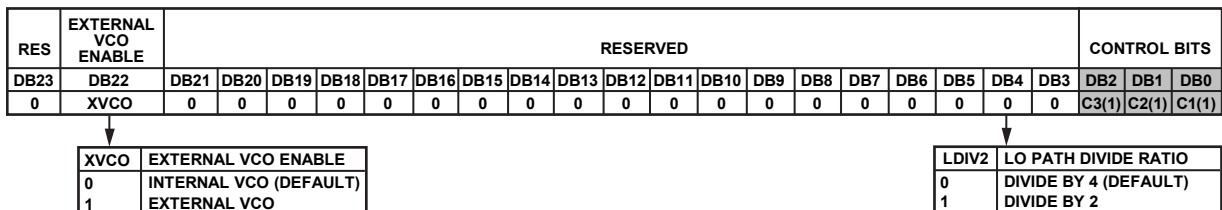


Figure 48. Register 7—External VCO Enable Register Map

CHARACTERIZATION SETUPS

Figure 49 and Figure 50 show characterization bench setups used to characterize the ADRF6701. The setup shown in Figure 49 was used to do most of the testing. An automated VEE program was used to control equipment over the IEEE bus. The setup was used to measure SSB, OIP2, OIP3, OP1dB, LO, and USB NULL.

For phase noise and reference spurs measurements, see the phase noise setup on Figure 50. Phase noise was measured on LO and modulator output.

ADRF670x TEST RACK ASSEMBLY (INTERNAL VCO CONFIGURATION)
ALL INSTRUMENTS ARE CONNECTED IN DAISY CHAIN FASHION VIA GPIB CABLE UNLESS OTHERWISE NOTED.

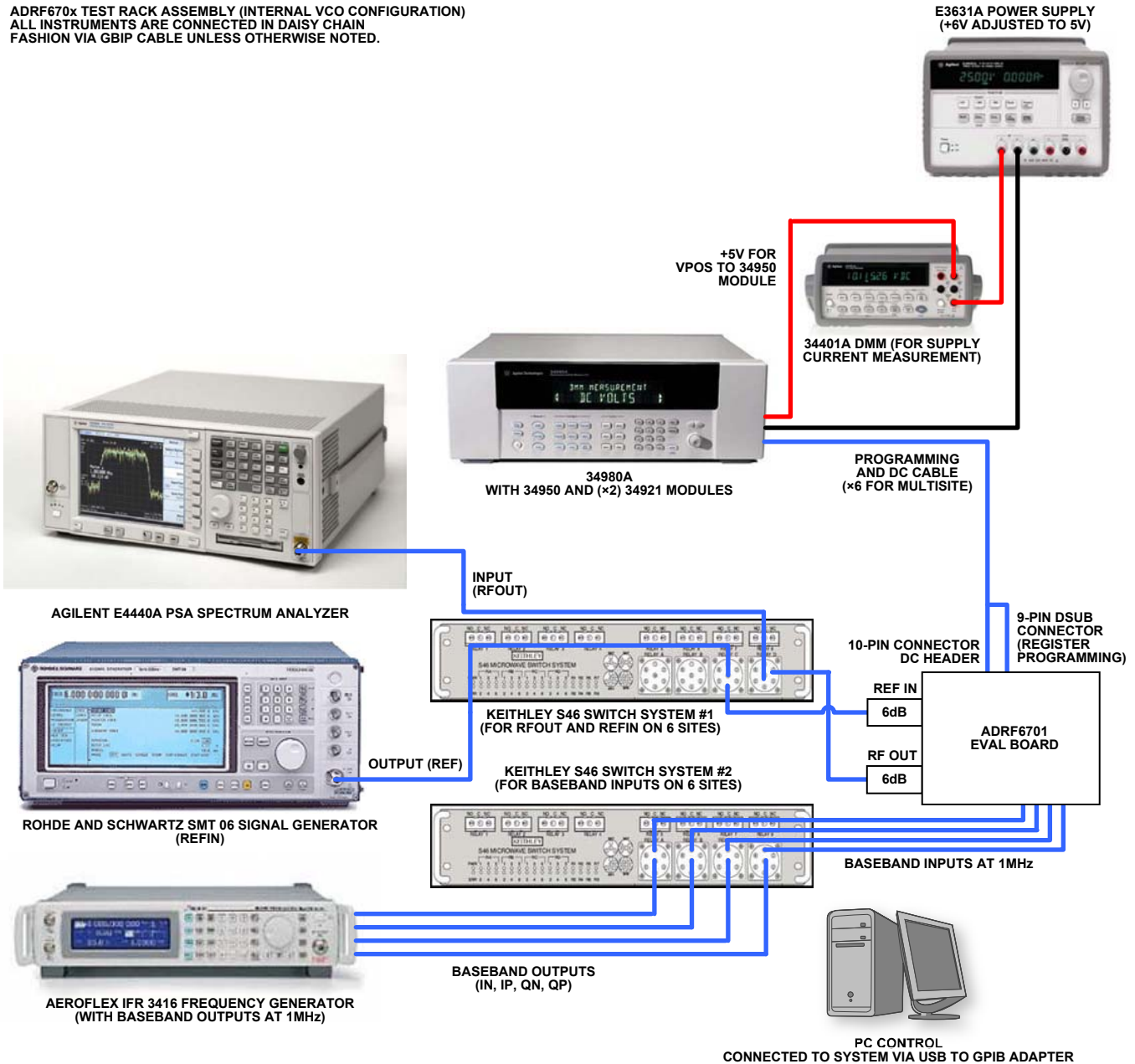


Figure 49. General Characterization Setup

08667-047

ADRF670x PHASE NOISE STAND SETUP
 ALL INSTRUMENTS ARE CONNECTED IN DAISY CHAIN FASHION
 VIA GBIP CABLE UNLESS OTHERWISE NOTED.

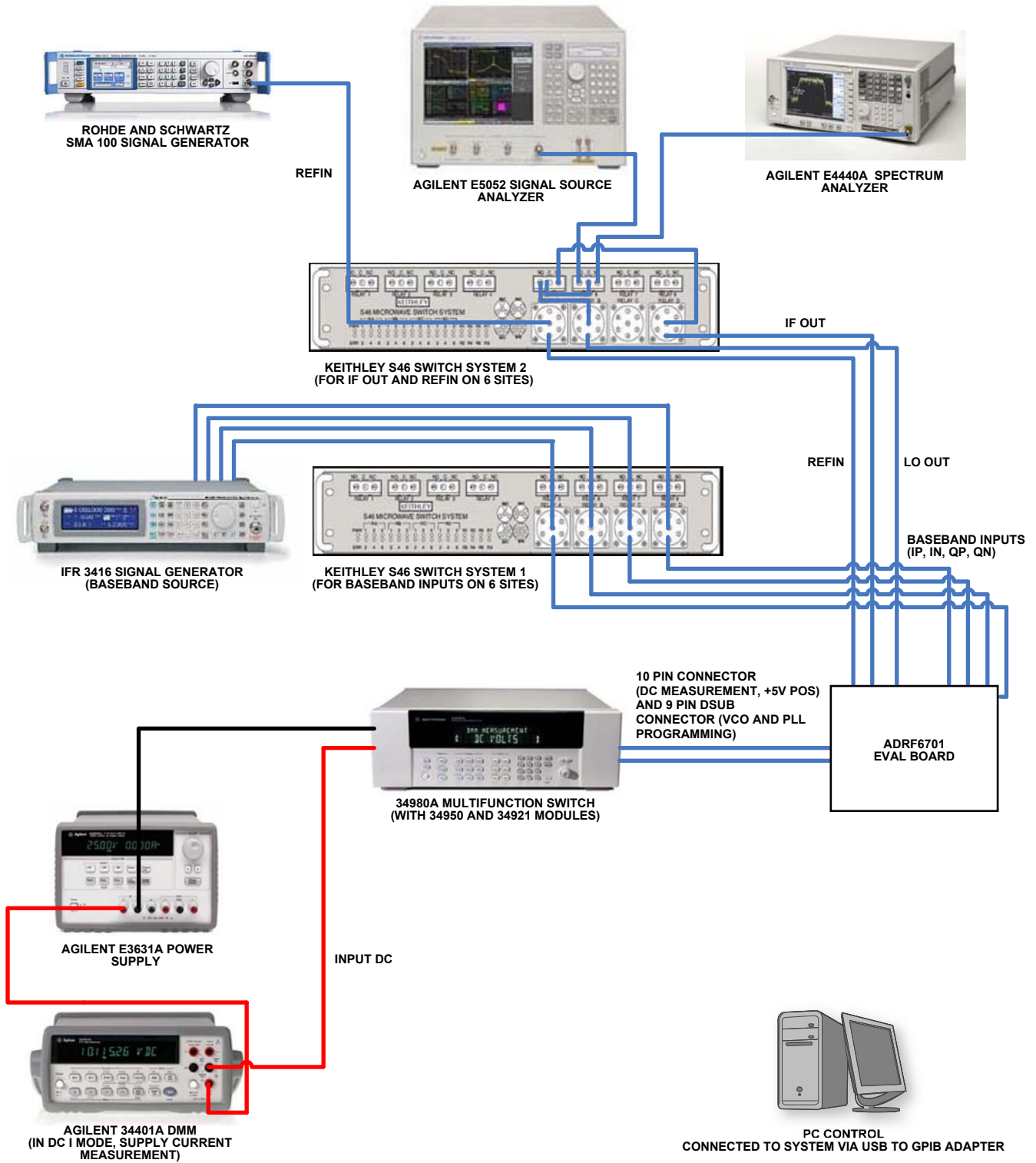


Figure 50. Characterization Setup for Phase Noise and Reference Spur Measurements

08567-04B

EVALUATION BOARD

Figure 52 shows the schematic of the device's RoHS-compliant evaluation board. This board was designed using Rogers 4350 material to minimize losses at high frequencies. FR4 material would also be adequate but with the slightly higher trace loss of this material.

Whereas the on-board USB interface circuitry of the evaluation board is powered directly from the PC, the main section of the evaluation board requires a separate 5 V power supply.

The evaluation board is designed to operate using the internal VCO (default configuration) of the device or with an external VCO. To use an external VCO, R62 and R12 should be removed. 0 Ω resistors should be placed in R63 and R11. A side-launched SMA connector (Johnson 142-0701-851) must be soldered to the pad labeled VTUNE. The input of the external VCO should be connected to the VTUNE SMA connector and a portion of the VCO's output should be connected to the EXT LO SMA connector. In addition to these hardware changes, internal register settings must also be changed (as detailed in the Register Description section) to enable operation with an external VCO.

Additional configuration options for the evaluation board are described in Table 11.

The serial port of the [ADRF6701](#) can be programmed from a PC's USB port (a USB cable is provided with the evaluation board). The on-board USB interface circuitry can if desired be bypassed by removing the 0 Ω resistors, R15, R17, and R18 (see Figure 52) and driving the [ADRF6701](#) serial interface through the P3 4-pin header (P3 must be first installed, Samtec TSW-104-08-G-S).

EVALUATION BOARD CONTROL SOFTWARE

USB-based programming software is available to download from the [ADRF6701](#) product page at www.analog.com (Evaluation Board Software Rev 6.1.0). To install the software, download and extract the zip file. Then run the following installation file: **ADRF6X0X_6p1p0_customer_installer.exe**.

To operate correctly under Windows XP, Version 3.5 of Microsoft .NET must be installed. To run the software on a Windows 7 PC, XP emulation mode must be used (using Virtual PC).

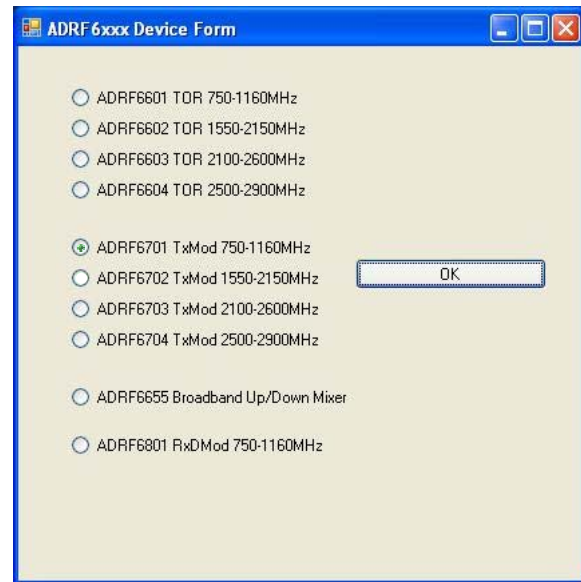


Figure 51. Control Software Opening Menu

Figure 51 shows the opening window of the software where the user selects the device being programmed. Figure 55 shows a screen shot of the control software's main controls with the default settings displayed. The text box in the bottom left corner provides an immediate indication of whether the software is successfully communicating with the evaluation board. If the evaluation board is connected to the PC via the USB cable provided and the software is successfully communicating with the on-board USB circuitry, this text box shows the following message: **ADRF6X0X eval board connected**.

Table 11. Evaluation Board Configuration Options

| Component | Description | Default Condition/ Option Settings |
|---|--|---|
| S1, R39, R40 | LO select. Switch and resistors to ground LOSEL pin. The LOSEL pin setting in combination with internal register settings, determines whether the LOP/LON pins function as inputs or outputs. With the LOSEL pin grounded, register settings can set the LOP/LON pins to be inputs or outputs. | |
| EXT LO, T3 | LO input/output. An external 1× LO or 2× LO can be applied to this single-ended input connector. Alternatively, the internal 1× or 2× LO can be brought out on this pin. The differential LO signal on LOP and LON is converted to a single-ended signal using a broadband 1:1 balun (Macom MABA-007159, 4.5 MHz to 3000 MHz frequency range). The balun footprint on the evaluation board is also designed to accommodate Johanson baluns: 3600BL14M050 (1:1, 3.3 GHz to 3.9 GHz) and 3700BL15B050E (1:1, 3.4 GHz to 4 GHz). | T3 = Macom MABA-007159 EXT LO SMA connector = installed |
| REFIN SMA Connector, R73 | Reference input. The input reference frequency for the PLL is applied to this connector. Input resistance is set by R73 (49.9 Ω). | $f_{REFIN} = 153.6$ MHz R73 = 49.9 Ω |
| REFOUT SMA Connector, R16 | Multiplexer output. The REFOUT connector connects directly to the device's MUXOUT pin. The on-board multiplexer can be programmed to bring out the following signals: REFIN, 2× REFIN, REFIN/2, REFIN/4, Temperature sensor output voltage (VPTAT), Lock detect indicator. | REFOUT SMA connector = open R16 = open |
| CP Test Point, R38 | Charge pump test point. The unfiltered charge pump signal can be probed at this test point. Note that this pin should not be probed during critical measurements such as phase noise. | CP = open R38 = open |
| C13, C14, C15, C40R9, R10, R37, R65 R11, R12, R62, R63, VTUNE SMA Connector | Loop filter. Loop filter components. Internal vs. external VCO. When the internal VCO is enabled, the loop filter components connect directly to the VTUNE pin (Pin 39) by installing a 0 Ω resistor in R62. In addition, the loop filter components should be returned to Pin 40 (DECL3) by installing a 0 Ω resistor in R12. To use an external VCO, R62 should be left open. A 0 Ω resistor should be installed in R63, and the voltage input of the VCO should be connected to the VTUNE SMA connector. The output of the VCO is brought back into the PLL via the LO IN/OUT SMA connector. In addition, the loop filter components should be returned to ground by installing a 0 Ω resistor in R11. Loop filter return. | See Table 8 R12 = 0 Ω (0402) R11 = open (0402) R62 = 0 Ω (0402) R63 = open (0402) VTUNE = open |
| R2 | RSET. This pin is unused and should be left open. | R2 = open (0402) |
| R23, R3 | Baseband input termination. Termination resistors for the baseband filter of the DAC can be placed on R23 and R3. In addition to terminating the baseband filters, these resistors also scale down the baseband voltage from the DAC without changing the bias level. These resistors are generally set in the 100 Ω to 300 Ω range. | R3 = R23 = open (0402) |
| P3 4-Pin Header, R15, R17, R18 | USB circuitry bypass. The USB circuitry can be bypassed, allowing for the serial port of the ADRF6701 to be driven directly. P3 (Samtec TSW-104-08-G-S) must be installed, and 0 Ω resistors (R15, R17 and R18) must be removed. | P3 = open R15, R17, R18 = 0 Ω (0402) |

LO Path and Modulator Control

- LO Output Driver Disabled
- Mixer LO Source - Internal VCO
- Modulator Bias Enabled
- Div-by-2 in LO Output Chain Enabled
- RF Output Enabled

RF Section

- Divide Mode: Fractional
- Ref Input Frequency: 38.4 MHz
- PFD Frequency: 38.4 MHz
- Modulus: 1536
- VCO Frequency(2xLD): 3600
- LO Frequency: 900 MHz
- Channel Step Size: 12.5 kHz

Charge Pump (CP)

- Current Reference Source: Internal(250uA)
- Current Multiplier: x2
- CP Current (uA)=: 500uA
- Charge Pump Control: Hi-Z
- CP Control Source: PFD
- PFD Phase Offset Multiplier (0-31): 10
- x 22.5°/CP current multiplier
- PFD Phase Offset Polarity: positive
- PFD Phase Offset: 112.5°

Output Reference Mux Source

- Lock Detect

SDM Dither Control

- Dither Restart Value: 1
- SDM Dither Enable: Dither En
- SDM Dither Magnitude: 1

VCO Controls and Enables

- VCO Enable: Enable
- VCO LDO Enable: Enable
- 3.3V LDO Enable: Enable
- Charge Pump Enable: Enable
- External VCO Enable: Disable
- VCO Switch Control from SPI: Regular

PFD

- PFD Divider Path Edge Sensitivity: Falling Edge
- PFD Reference Path Edge Sensitivity: Rising Edge
- PFD Anti Backlash Delay: 0 nsec
- Cap DAC Value: 0
- Spare (R7) Value: 0

To be Loaded in Registers on Next Update

| MSB | Binary | LSB | Hex |
|------|---------------------------|--------|-----|
| 0000 | 0000 0000 0001 0111 0 000 | 000170 | |
| 0000 | 0000 0011 0000 0000 0 001 | 003001 | |
| 0000 | 0000 0010 1010 0000 0 010 | 002a02 | |
| 0111 | 0000 0000 0000 0000 1 011 | 70000b | |

ADRF6x0x eval board connected

Figure 55. Main Controls of the Evaluation Board Control Software

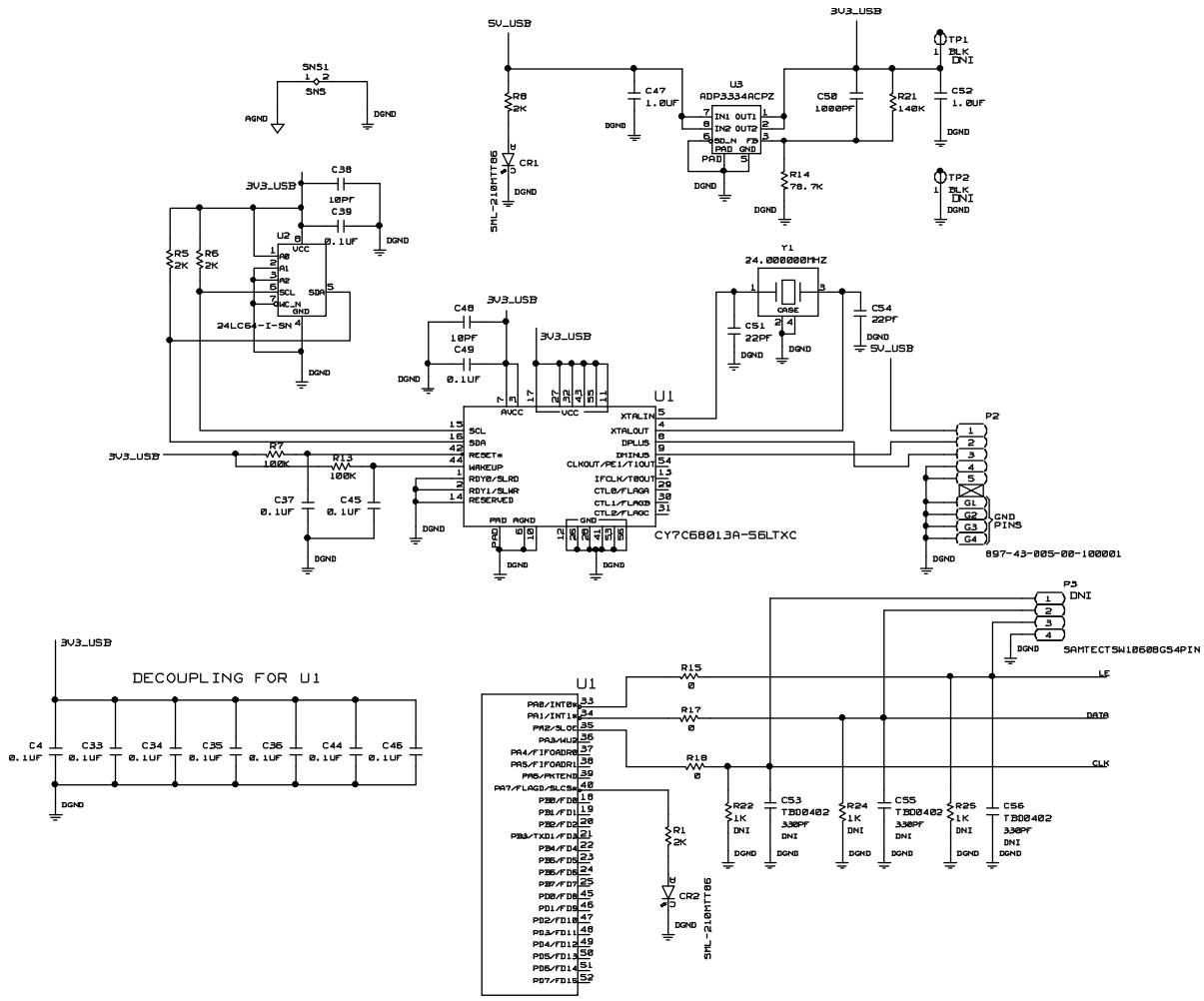
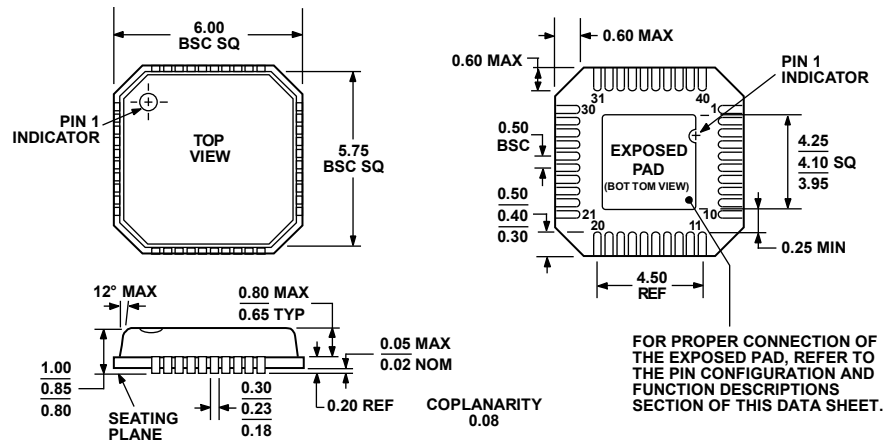


Figure 56. USB Interface Circuitry on the Customer Evaluation Board

08567454

OUTLINE DIMENSIONS



COMPLIANT TO JEDEC STANDARDS MO-220-VJJD-2

Figure 57. 40-Lead Lead Frame Chip Scale Package [LFCSP_VQ]
 6 mm × 6 mm Body, Very Thin Quad
 (CP-40-1)
 Dimensions shown in millimeters

072108-A

ORDERING GUIDE

| Model ¹ | Temperature Range (°C) | Package Description | Package Option |
|--------------------|------------------------|--|----------------|
| ADRF6701ACPZ-R7 | -40°C to +85°C | 40-Lead Lead Frame Chip Scale Package [LFCSP_VQ] | CP-40-1 |
| ADRF6701-EVALZ | | Evaluation Board | |

¹ Z = RoHS Compliant Part.

NOTES