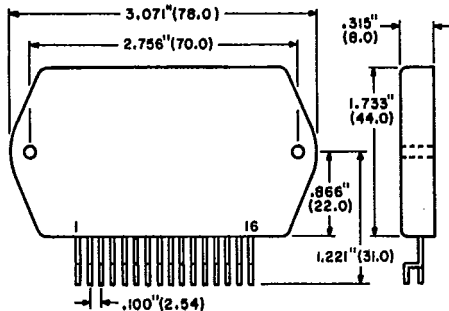


ECG1324

AF Power Amplifier

Features

- Dual channel
- Dual power supply
- Thick film hybrid
- Minimum output power - 10 W

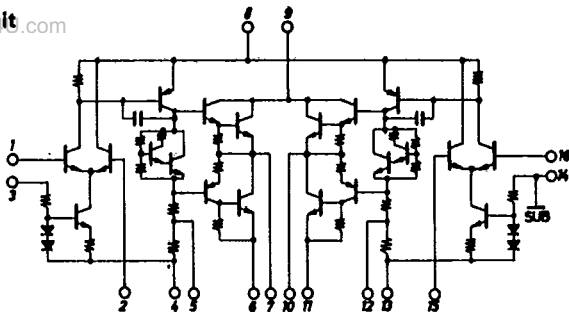


Absolute Maximum Ratings

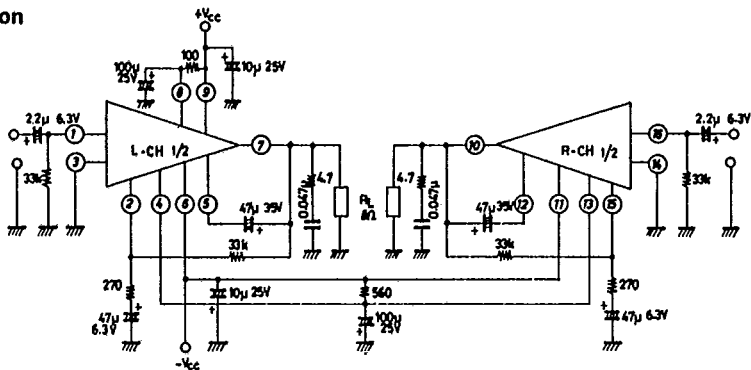
Characteristic	Symbol	Rating	Unit
Supply Voltage	V_{CC}	± 25	V
Operating Case Temperature	T_C	90	$^{\circ}\text{C}$
Storage Temperature	T_{stg}	-30 to +100	$^{\circ}\text{C}$
Allowable Load Shorting Time	t_s $P_O = 10\text{ W}$ $f = 50\text{ Hz}$	2	sec

Operational Characteristics ($T_A = 25^{\circ}\text{C}$, $V_{CC} = 16.5\text{ V}$, $R_L = 8\ \Omega$, $R_g = 600\ \Omega$, $V_G = 41.5\text{ dB}$)

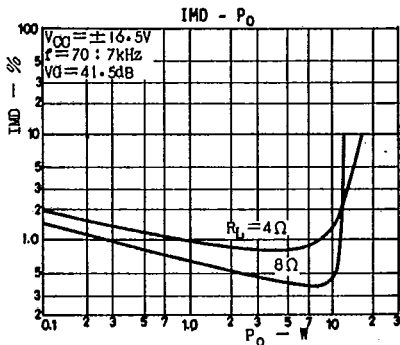
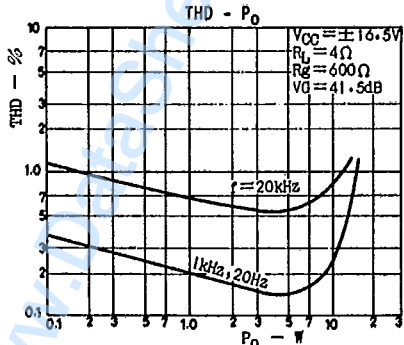
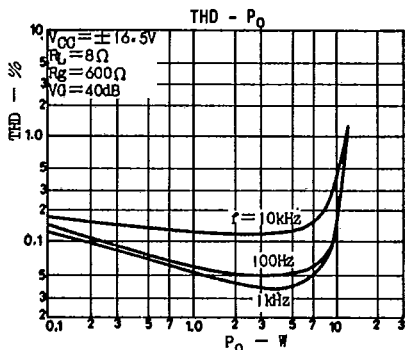
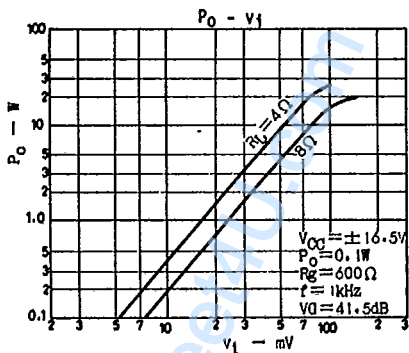
Characteristic	Symbol	Test Condition	Min	Typ	Max	Unit
Quiescent Current	I_{CCO}	$V_{CC} = \pm 20\text{ V}$		60	120	mA
Output Power	$P_O(1)$	THD = 0.9%, $f = 1\text{ kHz}$	10			W
	$P_O(2)$	THD = 0.9%, $f = 20\text{ to }20\text{ kHz}$	5			
Distortion	THD	$P_O = 1.0\text{ W}$, $f = 1\text{ kHz}$			0.2	%
Frequency Response	f	$P_O = 0.1\text{ W}$, -3 dB	20 to 50 K			Hz
Input Resistance	η	$P_O = 0.1\text{ W}$, $f = 1\text{ kHz}$		32 K		Ω
Noise Output Voltage	V_{NO}	$V_{CC} = \pm 20\text{ V}$, $R_g = 10\text{ k}\Omega$			1.3	mVrms

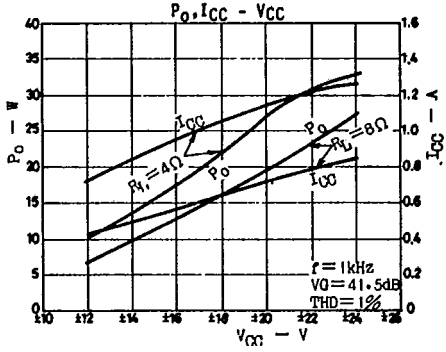
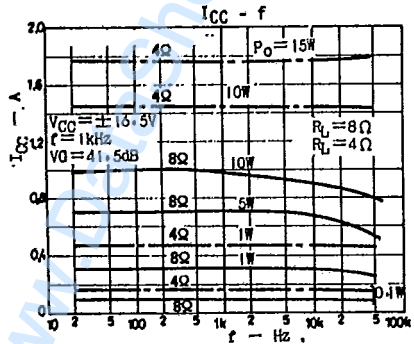
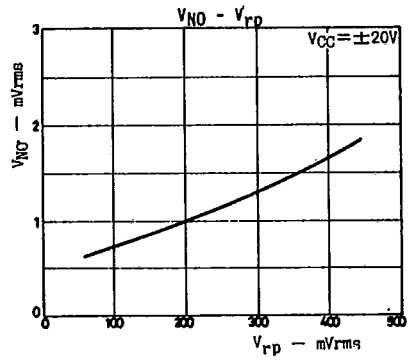
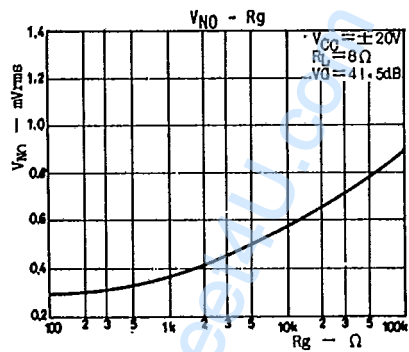
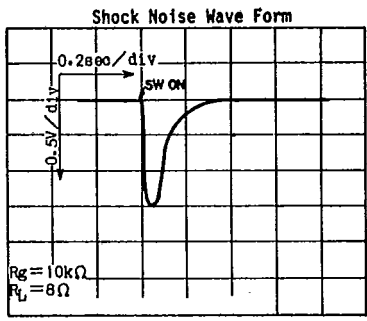
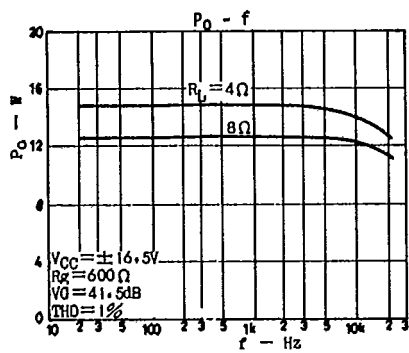
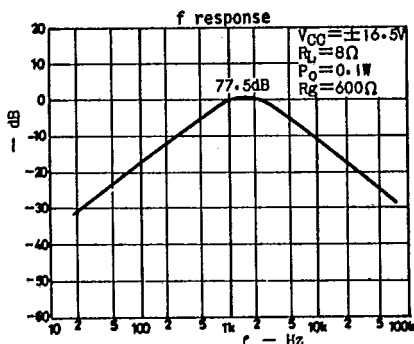
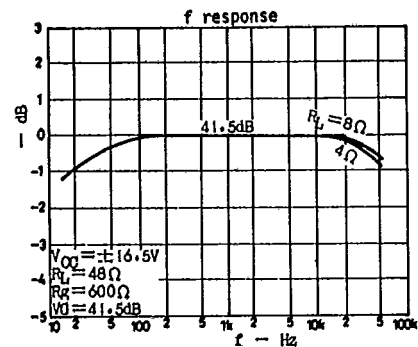


Application



Typical Characteristics





Typical Characteristics (Cont.)

