

PLEASE CHECK WWW.MOLEX.COM FOR LATEST PART INFORMATION

Part Number: [0192030094](#)
Status: **Active**
Description: Krimptite™ Temp-Term Ring Tongue Terminal for 10 to 12 AWG Wire, Stud Size 10, Mylar Tape Carrier

Documents:

[Drawing \(PDF\)](#) [RoHS Certificate of Compliance \(PDF\)](#)

Agency Certification

UL E32244

General

Product Family Ring and Spade Terminals
 Series [19203](#)
 Crimp Quality Equipment Yes
 Mil-Spec N/A
 Product Name Krimptite™, Temp-Terms
 Type Ring

Physical

Barrel Type Closed
 Insulation None
 Material - Plating Mating Tin
 Packaging Type Adhesive Tape on Reel
 Stud Size 10 (M5)
 Wire Size AWG 10, 12
 Wire Size mm² 2.70 - 6.60

Material Info

Old Part Number C-S-128-10T

Reference - Drawing Numbers

Sales Drawing SD-19203-018



*Series
image - Reference only*

EU RoHS

**ELV and RoHS
Compliant**
REACH SVHC
 Not Reviewed
**Halogen-Free
Status**

China RoHS



Not Reviewed

**Need more information on product
environmental compliance?**

Email productcompliance@molex.com
 For a multiple part number RoHS Certificate of Compliance, [click here](#)

Please visit the [Contact Us](#) section for any non-product compliance questions.

Search Parts in this Series

[19203Series](#)

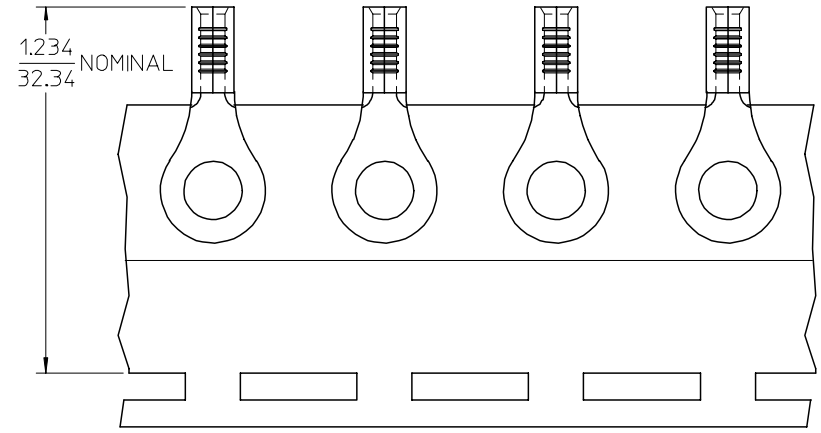
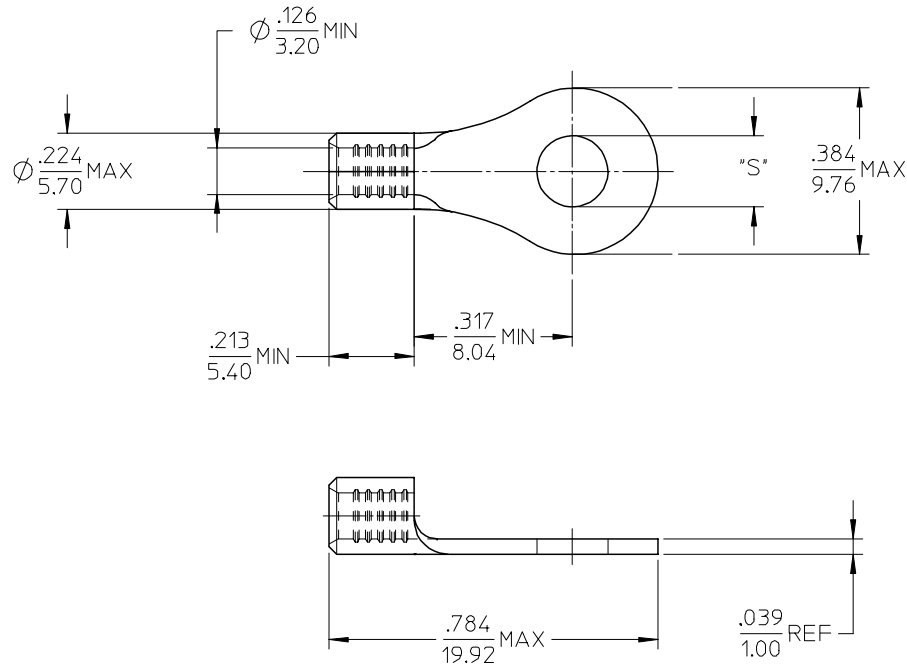
Application Tooling | [FAQ](#)

Tooling specifications and manuals are found by selecting the products below. Crimp Height Specifications are then contained in the Application Tooling Specification document.

Global

Description	Product #
ATP Perishable Tool Kit, Used in ATP Presses that Process Product on Tape	0190270088
Mini-Mac™ Applicator	0638851000

MATERIAL NO.	ENG. NO.	STUD SIZE	"S" MAX	DESCRIPTION
192030389	C-S-128-10	10	.212/5.38	LOOSE
192030094	C-S-128-10T	10	.212/5.38	TAPE



PARTS ON TAPE

NOTE(S):

- MATERIAL: STEEL
- WIRE SIZE: 12-10 AWG (4.0-6.0 MM²)
- FINISH: NICKEL PLATING
- PART IS ROHS COMPLIANT.
- AMBIENT OPERATING TEMPERATURE UP TO 900 °F (483 °C).

REV	DESCRIPTION	QUALITY SYMBOLS	GENERAL TOLERANCES (UNLESS SPECIFIED)		DIMENSION STYLE	SCALE	DESIGN UNITS	THIRD ANGLE PROJECTION
			mm	INCH	IN/MM	4:1	INCH	
D	ADDED OPERATING TEMP EC NO: ETC2007-0297 DRW: DRWNEHLE 2007/03/13 CHKD: JMAGNEIL 2007/03/13 APPR: JMAGNEIL 2007/03/14	$\nabla=0$ $\nabla=0$	4 PLACES	± ---	± ---	DRAWN BY DMYRICK	DATE 2005/04/06	TITLE RING TONGUE TERMINAL, 12-10 AWG, KRIMPTITE, 900 DEG F (483 DEG C)
			3 PLACES	± ---	± ---	CHECKED BY RDEROSS	DATE 2005/04/06	
			2 PLACES	± ---	± ---	APPROVED BY RDEROSS	DATE 2005/04/06	
			1 PLACE	± ---	± ---	MATERIAL NO. SEE CHART	DOCUMENT NO. SD-19203-018	
						SIZE B	THIS DRAWING CONTAINS INFORMATION THAT IS PROPRIETARY TO MOLEX INCORPORATED AND SHOULD NOT BE USED WITHOUT WRITTEN PERMISSION	