

74ABT543A

Octal latched transceiver with dual enable; 3-state

Rev. 03 — 26 January 2010

Product data sheet

1. General description

The 74ABT543A high performance BiCMOS device combines low static and dynamic power dissipation with high speed and high output drive.

The 74ABT543A octal registered transceiver contains two sets of D-type latches for temporary storage of data flowing in either direction. Separate latch enable (\overline{LEAB} , \overline{LEBA}) and output enable (\overline{OEAB} , \overline{OEBA}) inputs are provided for each register to permit independent control of data transfer in either direction. The outputs are guaranteed to sink 64 mA.

2. Features

- Combines 74ABT245 and 74ABT373 type functions in one device
- 8-bit octal transceiver with D-type latch
- Back-to-back registers for storage
- Separate controls for data flow in each direction
- Live insertion and extraction permitted
- Output capability: +64 mA to -32 mA
- Power-up 3-state
- Power-up reset
- Latch-up protection exceeds 500 mA per JESD78B class II level A
- ESD protection:
 - ◆ HBM JESD22-A114F exceeds 2000 V
 - ◆ MM JESD22-A115-A exceeds 200 V

3. Ordering information

Table 1. Ordering information

Type number	Package			Version
	Temperature range	Name	Description	
74ABT543AD	-40 °C to +85 °C	SO24	plastic small outline package; 24 leads; body width 7.5 mm	SOT137-1
74ABT543ADB	-40 °C to +85 °C	SSOP24	plastic shrink small outline package; 24 leads; body width 5.3 mm	SOT340-1
74ABT543APW	-40 °C to +85 °C	TSSOP24	plastic thin shrink small outline package; 24 leads; body width 4.4 mm	SOT355-1

4. Functional diagram

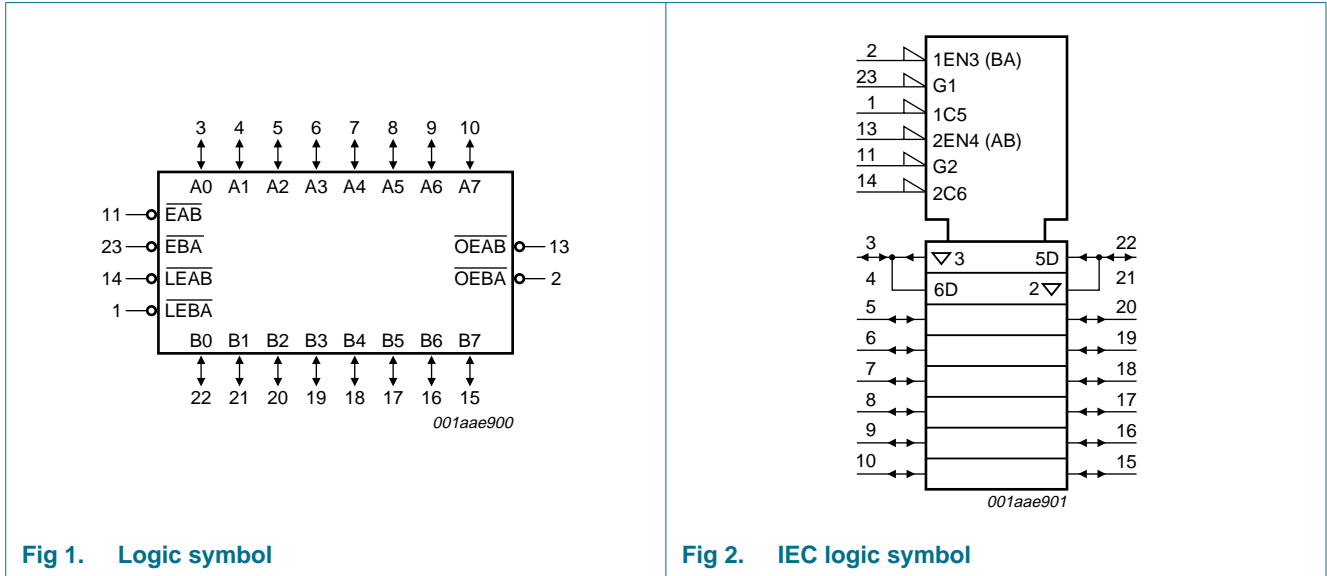


Fig 1. Logic symbol

Fig 2. IEC logic symbol

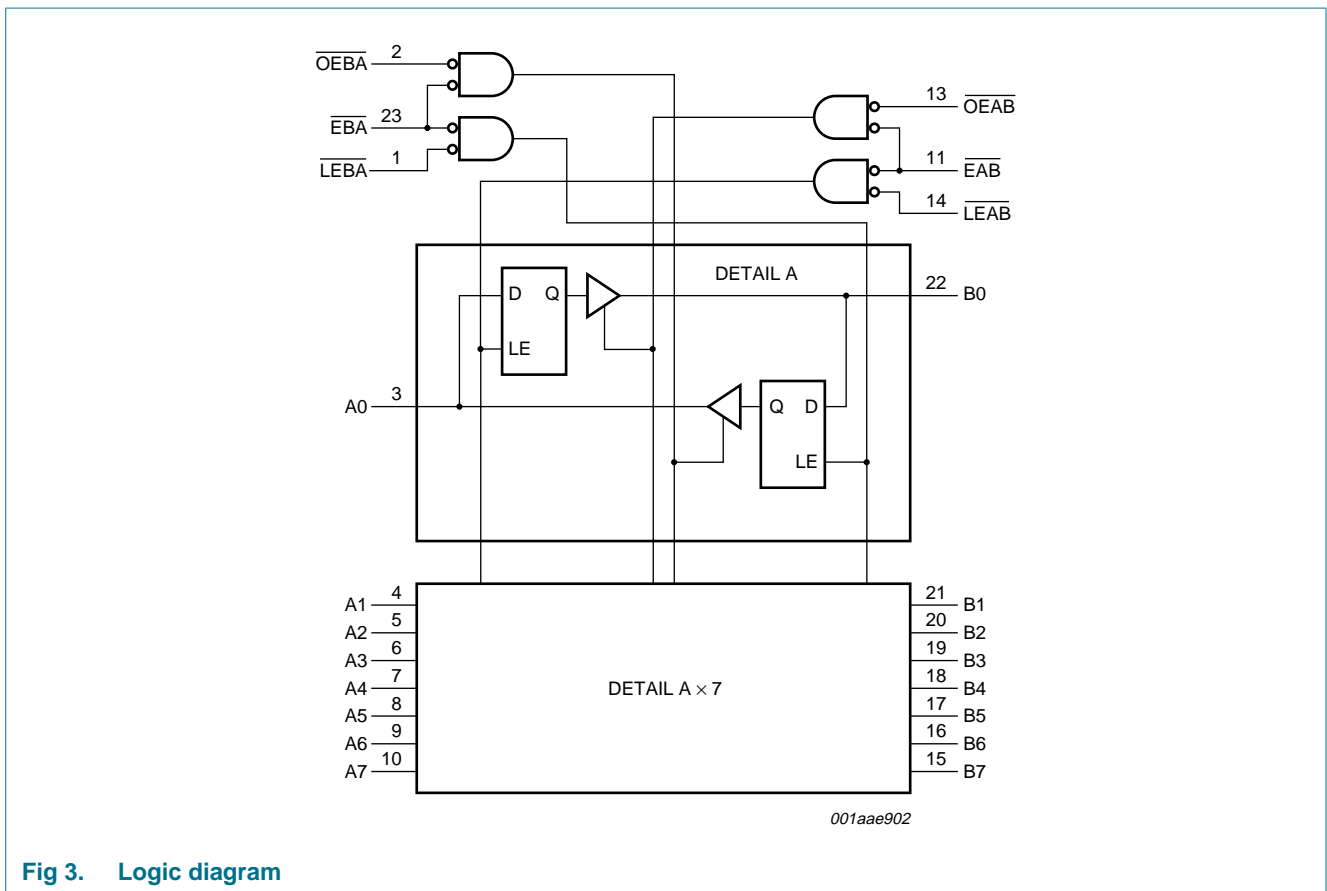
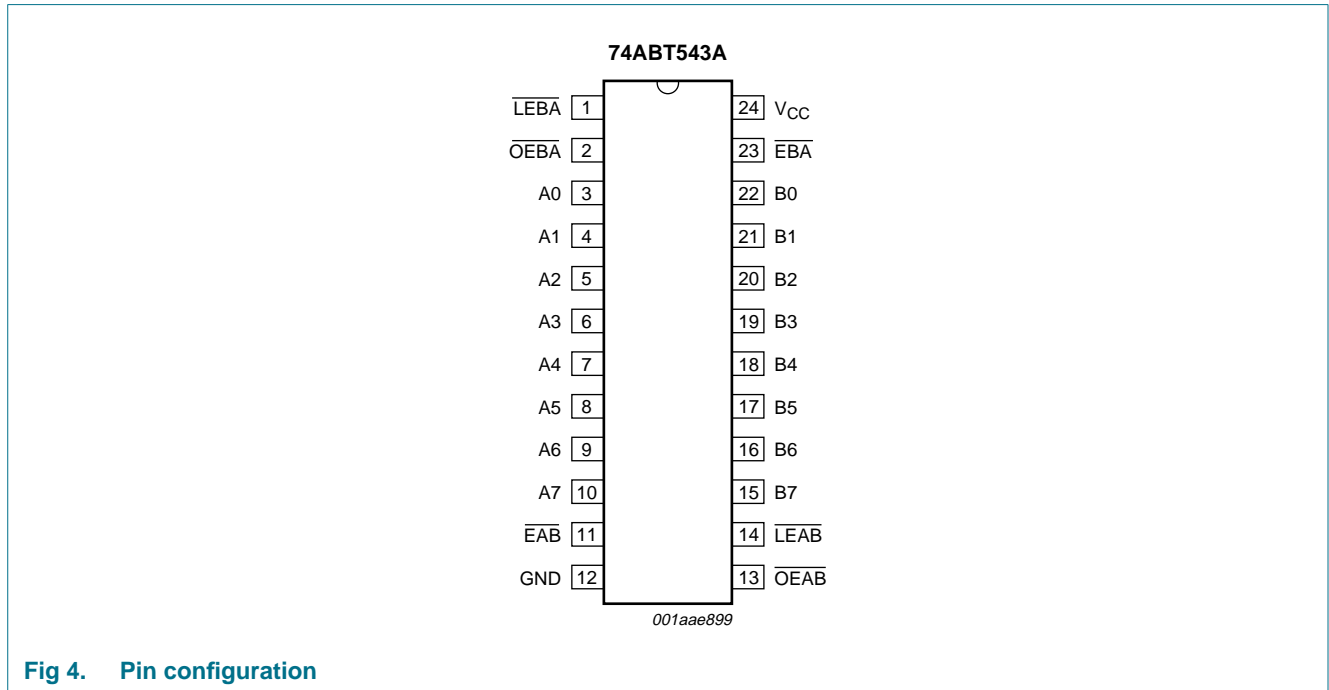


Fig 3. Logic diagram

5. Pinning information

5.1 Pinning



5.2 Pin description

Table 2. Pin description

Symbol	Pin	Description
LEBA	1	B-to-A latch enable input (active LOW)
OEBA	2	B-to-A output enable input (active LOW)
A0 to A7	3, 4, 5, 6, 7, 8, 9, 10	data input or output
EAB	11	A-to-B enable input (active LOW)
GND	12	ground (0 V)
OEAB	13	A-to-B output enable input (active LOW)
LEAB	14	A-to-B latch enable input (active LOW)
B0 to B7	22, 21, 20, 19, 18, 17, 16, 15	data input or output
EBA	23	B-to-A enable input (active LOW)
V _{CC}	24	positive supply voltage

6. Functional description

6.1 Function table

Table 3. Function selection^[1]

Input				Output	Status
$\overline{\text{OE}}\text{XX}$	$\overline{\text{E}}\text{XX}$	$\overline{\text{L}}\text{E}\text{XX}$	An or Bn	Bn or An	
H	X	X	X	Z	disabled
X	H	X	X	Z	
L	↑	L	h	Z	disabled + latch
			l	Z	
L	L	↑	h	H	latch + display
			l	L	
L	L	L	H	H	transparent
			L	L	
L	L	H	X	NC	hold

- [1] H = HIGH voltage level;
 h = HIGH voltage level one set-up time prior to the LOW-to-HIGH clock transition of $\overline{\text{L}}\text{E}\text{XX}$ or $\overline{\text{E}}\text{XX}$ (XX = AB or BA);
 L = LOW voltage level;
 l = LOW voltage level one set-up time prior to the LOW-to-HIGH clock transition of $\overline{\text{L}}\text{E}\text{XX}$ or $\overline{\text{E}}\text{XX}$ (XX = AB or BA);
 ↑ = LOW-to-HIGH clock transition of $\overline{\text{L}}\text{E}\text{XX}$ or $\overline{\text{E}}\text{XX}$ (XX = AB or BA);
 NC = no change;
 X = don't care;
 Z = high-impedance OFF-state.

6.2 Description

The 74ABT543A contains two sets of eight D-type latches, with separate control pins for each set.

Using data flow from A-to-B as an example, when the A-to-B enable ($\overline{\text{EAB}}$) input, the A-to-B latch enable ($\overline{\text{LEAB}}$) input and the A-to-B output enable ($\overline{\text{OEAB}}$) input are all LOW, the A-to-B path is transparent.

A subsequent LOW-to-HIGH transition of the $\overline{\text{LEAB}}$ signal puts the A data into the latches where it is stored and the B outputs no longer change with the A inputs. With $\overline{\text{EAB}}$ and $\overline{\text{OEAB}}$ both LOW, the 3-state B output buffers are active and display the data present at the outputs of the A latches.

Control of data flow from B-to-A is similar, but using the $\overline{\text{EBA}}$, $\overline{\text{LEBA}}$, and $\overline{\text{OEBA}}$ inputs.

7. Limiting values

Table 4. Limiting values

In accordance with the Absolute Maximum Rating System (IEC 60134).

Symbol	Parameter	Conditions	Min	Max	Unit
V_{CC}	supply voltage		-0.5	+7.0	V
V_I	input voltage		[1] -1.2	+7.0	V
V_O	output voltage	output in OFF-state or HIGH-state	[1] -0.5	+5.5	V
I_{IK}	input clamping current	$V_I < 0$ V	-18	-	mA
I_{OK}	output clamping current	$V_O < 0$ V	-50	-	mA
I_O	output current	output in LOW-state	-	128	mA
T_j	junction temperature		[2] -	150	°C
T_{stg}	storage temperature		-65	+150	°C

[1] The input and output voltage ratings may be exceeded if the input and output current ratings are observed.

[2] The performance capability of a high-performance integrated circuit in conjunction with its thermal environment can create junction temperatures which are detrimental to reliability. The maximum junction temperature of this integrated circuit should not exceed 150 °C.

8. Recommended operating conditions

Table 5. Recommended operating conditions

Symbol	Parameter	Conditions	Min	Typ	Max	Unit
V_{CC}	supply voltage		4.5	-	5.5	V
V_I	input voltage		0	-	V_{CC}	V
V_{IH}	HIGH-level input voltage		2.0	-	-	V
V_{IL}	LOW-level input voltage		-	-	0.8	V
I_{OH}	HIGH-level output current		-32	-	-	mA
I_{OL}	LOW-level output current		-	-	64	mA
$\Delta t/\Delta V$	input transition rise and fall rate		0	-	10	ns/V
T_{amb}	ambient temperature	in free air	-40	-	+85	°C

9. Static characteristics

Table 6. Static characteristics

Symbol	Parameter	Conditions	25 °C			-40 °C to +85 °C		Unit
			Min	Typ	Max	Min	Max	
V_{IK}	input clamping voltage	$V_{CC} = 4.5$ V; $I_{IK} = -18$ mA	-1.2	-0.9	-	-1.2	-	V
V_{OH}	HIGH-level output voltage	$V_I = V_{IL}$ or V_{IH}						
		$V_{CC} = 4.5$ V; $I_{OH} = -3$ mA	2.5	3.2	-	2.5	-	V
		$V_{CC} = 5.0$ V; $I_{OH} = -3$ mA	3.0	3.7	-	3.0	-	V
		$V_{CC} = 4.5$ V; $I_{OH} = -32$ mA	2.0	2.3	-	2.0	-	V
V_{OL}	LOW-level output voltage	$V_{CC} = 4.5$ V; $I_{OL} = 64$ mA; $V_I = V_{IL}$ or V_{IH}	-	0.3	0.55	-	0.55	V
$V_{OL(pu)}$	power-up LOW-level output voltage	$V_{CC} = 5.5$ V; $I_O = 1$ mA; $V_I = GND$ or V_{CC}	-	0.13	0.55	-	0.55	V

Table 6. Static characteristics ...continued

Symbol	Parameter	Conditions	25 °C			-40 °C to +85 °C		Unit	
			Min	Typ	Max	Min	Max		
I _I	input leakage current	V _{CC} = 5.5 V; V _I = GND or 5.5 V							
		OEAB, OEBA	-	±0.01	±1.0	-	±1.0	µA	
		An, Bn	-	±5.0	±100	-	±100	µA	
I _{OFF}	power-off leakage current	V _{CC} = 0.0 V; V _I or V _O ≤ 4.5 V	-	±5.0	±100	-	±100	µA	
I _{O(pu/pd)}	power-up/power-down output current	V _{CC} = 2.1 V; V _O = 0.5 V; V _I = GND or V _{CC} ; OEAB, OEBA don't care	[1]	-	±5.0	±50	-	±50	µA
I _{OZ}	OFF-state output current	V _{CC} = 5.5 V; V _I = V _{IL} or V _{IH}							
		V _O = 2.7 V	-	5.0	50	-	50	µA	
		V _O = 0.5 V	-	-5.0	-50	-	-50	µA	
I _{LO}	output leakage current	HIGH-state; V _O = 5.5 V; V _{CC} = 5.5 V; V _I = GND or V _{CC}	-	5.0	50	-	50	µA	
I _O	output current	V _{CC} = 5.5 V; V _O = 2.5 V	[2]	-180	-65	-40	-180	-40	mA
I _{CC}	supply current	V _{CC} = 5.5 V; V _I = GND or V _{CC}							
		outputs HIGH-state	-	110	250	-	250	µA	
		outputs LOW-state	-	20	30	-	30	mA	
		outputs disabled	-	110	250	-	250	µA	
ΔI _{CC}	additional supply current	per input pin; V _{CC} = 5.5 V; one input pin at 3.4 V, other inputs at V _{CC} or GND	[3]	-	0.3	1.5	-	1.5	mA
C _I	input capacitance	V _I = 0 V or V _{CC}	-	4	-	-	-	pF	
C _{I/O}	input/output capacitance	outputs disabled; V _O = 0 V or V _{CC}	-	7	-	-	-	pF	

[1] This parameter is valid for any V_{CC} between 0 V and 2.1 V, with a transition time of up to 10 ms. From V_{CC} = 2.1 V to V_{CC} = 5 V ± 10 %, a transition time of up to 100 ms is permitted.

[2] Not more than one output should be tested at a time, and the duration of the test should not exceed one second.

[3] This is the increase in supply current for each input at 3.4 V.

10. Dynamic characteristics

Table 7. Dynamic characteristics

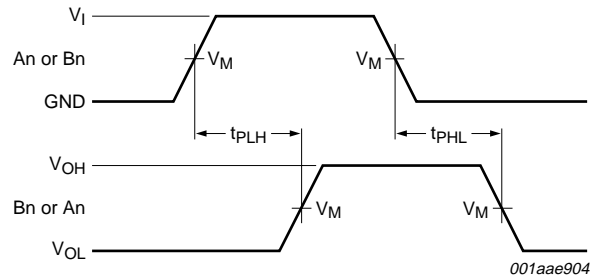
GND = 0 V; for test circuit, see Figure 10.

Symbol	Parameter	Conditions	25 °C; V _{CC} = 5.0 V			-40 °C to +85 °C; V _{CC} = 5.0 V ± 0.5 V		Unit
			Min	Typ	Max	Min	Max	
t _{PLH}	LOW to HIGH propagation delay	An to Bn or Bn to An; see Figure 5	1.0	2.9	4.5	1.0	5.2	ns
		LEBA to An or LEAB to Bn; see Figure 6	1.0	3.4	5.1	1.0	6.2	ns
t _{PHL}	HIGH to LOW propagation delay	An to Bn or Bn to An; see Figure 5	1.9	3.6	5.2	1.9	5.7	ns
		LEBA to An or LEAB to Bn; see Figure 6	2.1	4.3	6.0	2.1	6.7	ns
t _{PZH}	OFF-state to HIGH propagation delay	OEBA to An, OEAB to Bn; see Figure 7	1.0	3.2	5.1	1.0	6.2	ns
		EBA to An, EAB to Bn; see Figure 7	1.0	3.4	5.1	1.0	6.2	ns

Table 7. Dynamic characteristics ...continued
GND = 0 V; for test circuit, see Figure 10.

Symbol	Parameter	Conditions	25 °C; V _{CC} = 5.0 V			-40 °C to +85 °C; V _{CC} = 5.0 V ± 0.5 V		Unit
			Min	Typ	Max	Min	Max	
t _{PZL}	OFF-state to LOW propagation delay	OEBA to An, OEAB to Bn; see Figure 8	2.0	4.3	5.9	2.0	6.6	ns
		EBA to An, EAB to Bn; see Figure 8	2.0	4.4	6.1	2.0	6.8	ns
t _{PHZ}	HIGH to OFF-state propagation delay	OEBA to An, OEAB to Bn; see Figure 7	2.0	4.0	5.7	2.0	6.2	ns
		EBA to An, EAB to Bn; see Figure 7	2.0	3.6	5.4	2.0	5.9	ns
t _{PLZ}	LOW to OFF-state propagation delay	OEBA to An, OEAB to Bn; see Figure 8	1.0	3.0	4.6	1.0	5.0	ns
		EBA to An, EAB to Bn; see Figure 8	1.0	3.0	4.6	1.0	5.0	ns
t _{su(H)}	set-up time HIGH	An to LEAB, Bn to LEBA; see Figure 9	2.5	1.0	-	2.5	-	ns
		An to EAB, Bn to EBA; see Figure 9	3.5	1.3	-	3.5	-	ns
t _{su(L)}	set-up time LOW	An to LEAB, Bn to LEBA; see Figure 9	3.0	1.4	-	3.0	-	ns
		An to EAB, Bn to EBA; see Figure 9	3.0	1.4	-	3.0	-	ns
t _{h(H)}	hold time HIGH	LEAB to An, LEBA to Bn; see Figure 9	+0.5	-0.8	-	0.5	-	ns
		EAB to An, EBA to Bn; see Figure 9	+0.5	-0.8	-	0.5	-	ns
t _{h(L)}	hold time LOW	LEAB to An, LEBA to Bn; see Figure 9	+0.5	-0.6	-	0.5	-	ns
		EAB to An, EBA to Bn; see Figure 9	+0.5	-0.6	-	0.5	-	ns
t _{WL}	pulse width LOW	latch enable; see Figure 9	3.5	1.0	-	3.5	-	ns

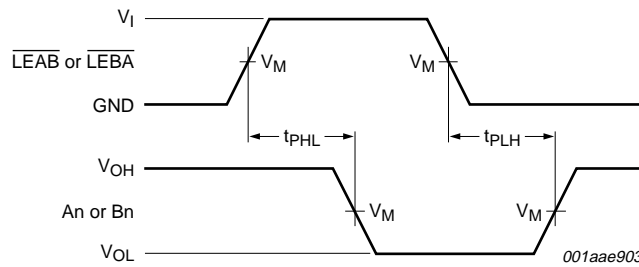
11. Waveforms



V_M = 1.5 V.

V_{OL} and V_{OH} are typical voltage output levels that occur with the output load.

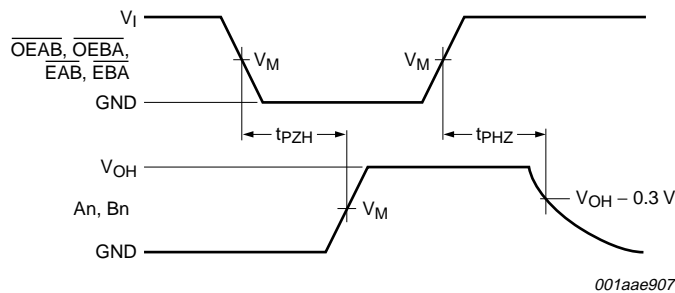
Fig 5. Propagation delay input (An, Bn) to output (Bn, An)



$V_M = 1.5$ V.

V_{OL} and V_{OH} are typical voltage output levels that occur with the output load.

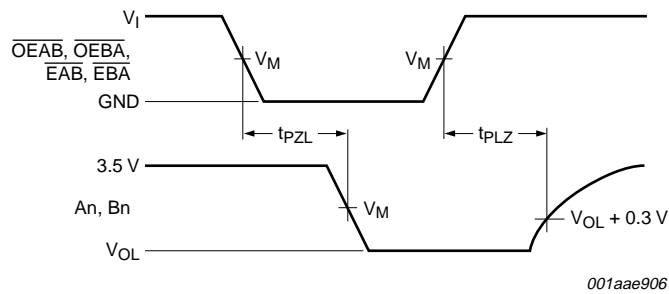
Fig 6. Propagation delay latch enable (\overline{LEAB} , \overline{LEBA}) to output (An, Bn)



$V_M = 1.5$ V.

V_{OH} is a typical voltage output level that occurs with the output load.

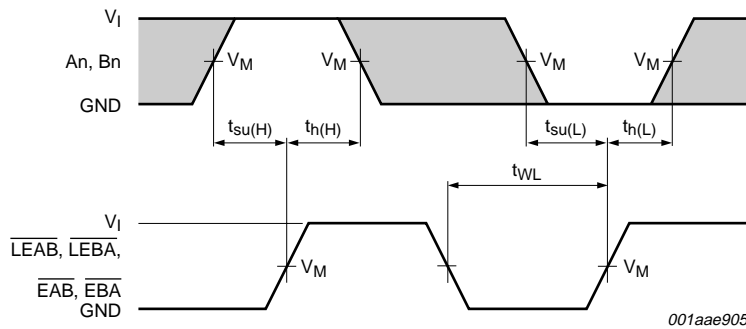
Fig 7. Propagation delay 3-state output enable to HIGH-level and output disable from HIGH-level



$V_M = 1.5$ V.

V_{OL} is a typical voltage output level that occurs with the output load.

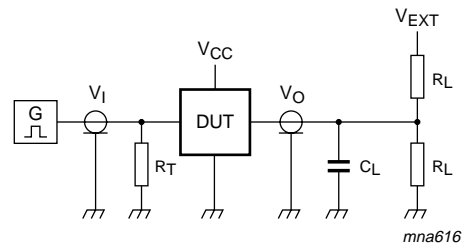
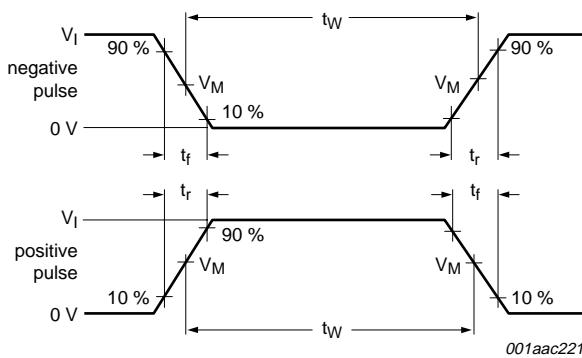
Fig 8. Propagation delay 3-state output enable to LOW-level and output disable from LOW-level



$V_M = 1.5\text{ V}$.

The shaded areas indicate when the input is permitted to change for predictable output performance.

Fig 9. Data set-up and hold times and latch enable pulse width



a. Input pulse definition

Test data is given in [Table 8](#).

Definitions test circuit:

R_L = Load resistance.

C_L = Load capacitance including jig and probe capacitance.

R_T = Termination resistance should be equal to output impedance Z_o of the pulse generator.

V_{EXT} = Test voltage for switching times.

b. Test circuit

Fig 10. Load circuitry for switching times

Table 8. Test data

Input				Load		V_{EXT}		
V_I	f_I	t_W	t_r, t_f	C_L	R_L	t_{PHL}, t_{PLH}	t_{PZH}, t_{PHZ}	t_{PZL}, t_{PLZ}
3.0 V	1 MHz	500 ns	$\leq 2.5\text{ ns}$	50 pF	500 Ω	open	open	7.0 V

12. Package outline

SO24: plastic small outline package; 24 leads; body width 7.5 mm

SOT137-1

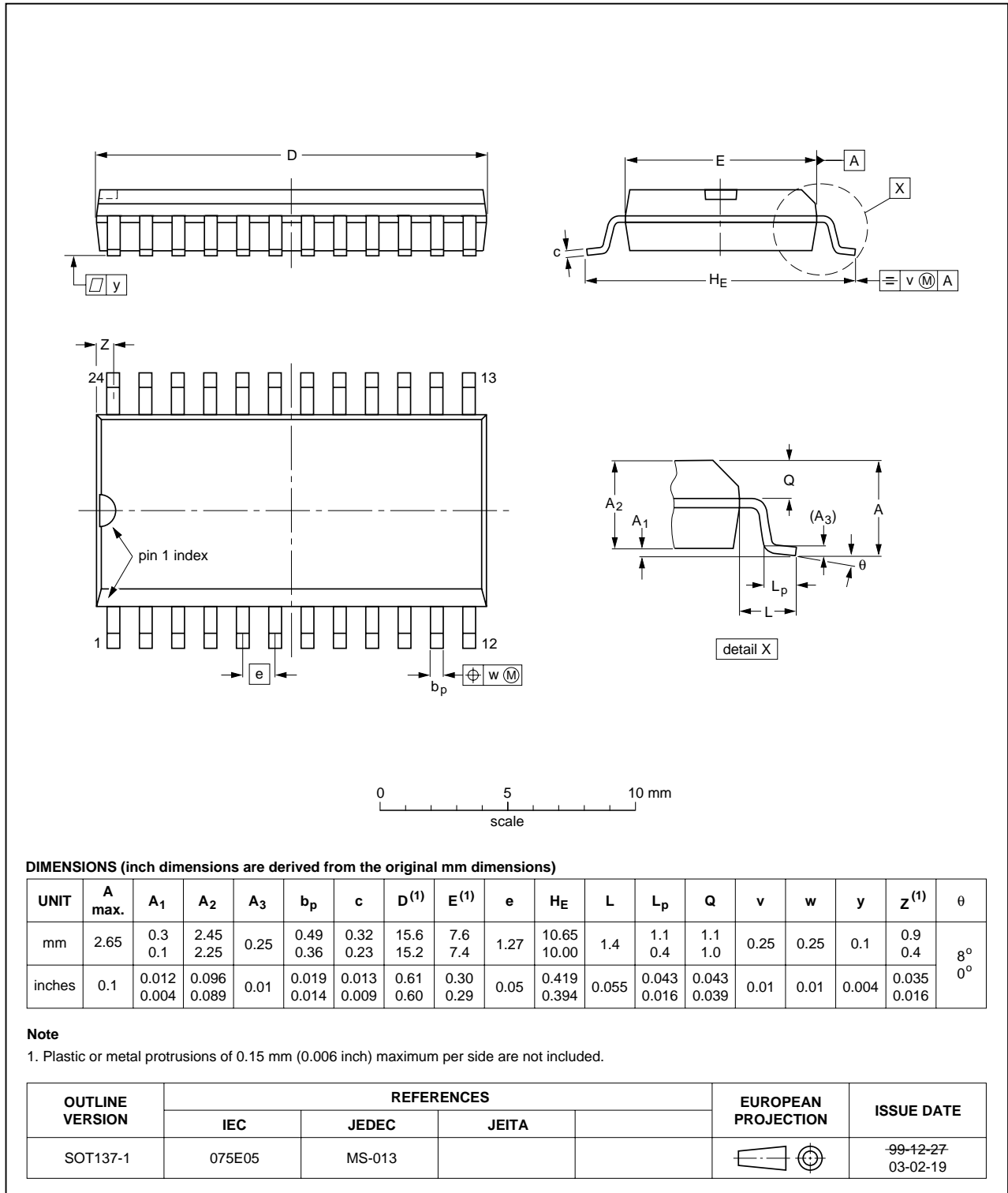


Fig 11. Package outline SOT137-1 (SO24)

SSOP24: plastic shrink small outline package; 24 leads; body width 5.3 mm

SOT340-1

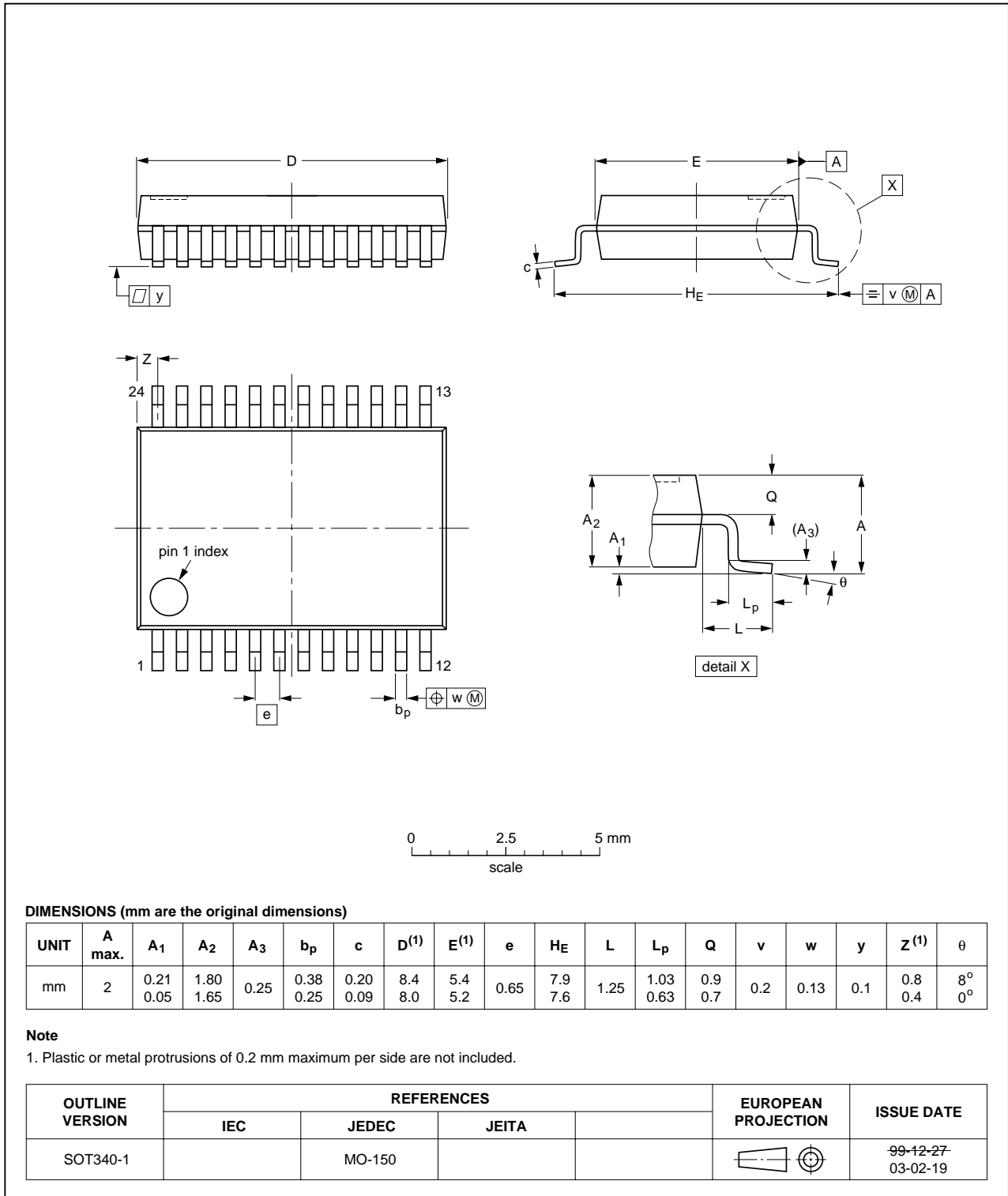


Fig 12. Package outline SOT340-1 (SSOP24)

TSSOP24: plastic thin shrink small outline package; 24 leads; body width 4.4 mm

SOT355-1

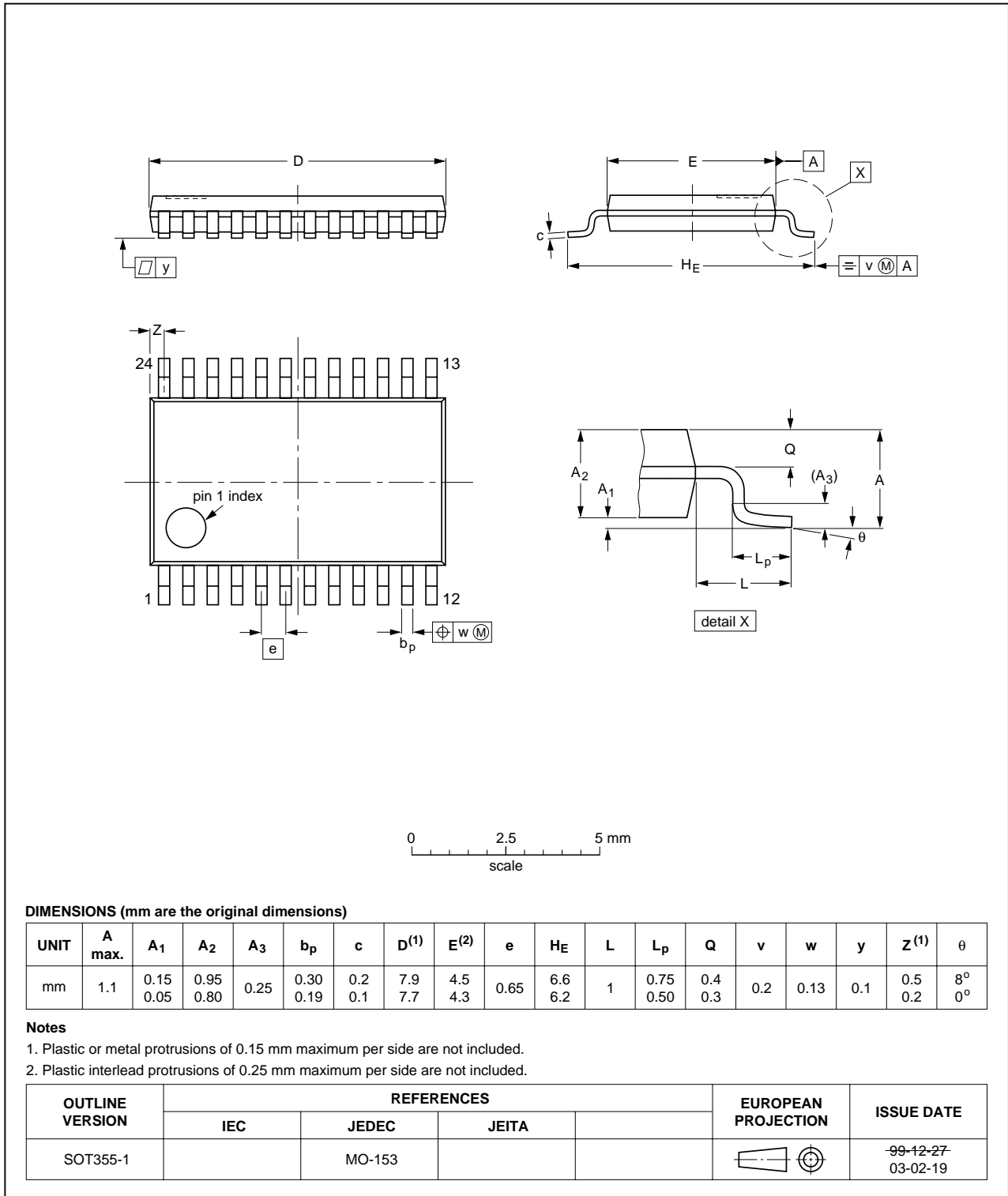


Fig 13. Package outline SOT355-1 (TSSOP24)

13. Abbreviations

Table 9. Abbreviations

Acronym	Description
BiCMOS	Bipolar Complementary Metal-Oxide Semiconductor
DUT	Device Under Test
ESD	ElectroStatic Discharge
HBM	Human Body Model
MM	Machine Model

14. Revision history

Table 10. Revision history

Document ID	Release date	Data sheet status	Change notice	Supersedes
74ABT543A_3	20100126	Product data sheet	-	74ABT543A_2
Modifications:	<ul style="list-style-type: none"> The format of this data sheet has been redesigned to comply with the new identity guidelines of NXP Semiconductors. Legal texts have been adapted to the new company name where appropriate. DIP 24 (SOT222-1) package removed from Section 3 “Ordering information” and Section 12 “Package outline” 			
74ABT543A_2	19980924	Product specification	-	74ABT543A_1
74ABT543A_1	19950419	Product specification	-	-

15. Legal information

15.1 Data sheet status

Document status ^{[1][2]}	Product status ^[3]	Definition
Objective [short] data sheet	Development	This document contains data from the objective specification for product development.
Preliminary [short] data sheet	Qualification	This document contains data from the preliminary specification.
Product [short] data sheet	Production	This document contains the product specification.

[1] Please consult the most recently issued document before initiating or completing a design.

[2] The term 'short data sheet' is explained in section "Definitions".

[3] The product status of device(s) described in this document may have changed since this document was published and may differ in case of multiple devices. The latest product status information is available on the Internet at URL <http://www.nxp.com>.

15.2 Definitions

Draft — The document is a draft version only. The content is still under internal review and subject to formal approval, which may result in modifications or additions. NXP Semiconductors does not give any representations or warranties as to the accuracy or completeness of information included herein and shall have no liability for the consequences of use of such information.

Short data sheet — A short data sheet is an extract from a full data sheet with the same product type number(s) and title. A short data sheet is intended for quick reference only and should not be relied upon to contain detailed and full information. For detailed and full information see the relevant full data sheet, which is available on request via the local NXP Semiconductors sales office. In case of any inconsistency or conflict with the short data sheet, the full data sheet shall prevail.

15.3 Disclaimers

General — Information in this document is believed to be accurate and reliable. However, NXP Semiconductors does not give any representations or warranties, expressed or implied, as to the accuracy or completeness of such information and shall have no liability for the consequences of use of such information.

Right to make changes — NXP Semiconductors reserves the right to make changes to information published in this document, including without limitation specifications and product descriptions, at any time and without notice. This document supersedes and replaces all information supplied prior to the publication hereof.

Suitability for use — NXP Semiconductors products are not designed, authorized or warranted to be suitable for use in medical, military, aircraft, space or life support equipment, nor in applications where failure or malfunction of an NXP Semiconductors product can reasonably be expected to result in personal injury, death or severe property or environmental

damage. NXP Semiconductors accepts no liability for inclusion and/or use of NXP Semiconductors products in such equipment or applications and therefore such inclusion and/or use is at the customer's own risk.

Applications — Applications that are described herein for any of these products are for illustrative purposes only. NXP Semiconductors makes no representation or warranty that such applications will be suitable for the specified use without further testing or modification.

Limiting values — Stress above one or more limiting values (as defined in the Absolute Maximum Ratings System of IEC 60134) may cause permanent damage to the device. Limiting values are stress ratings only and operation of the device at these or any other conditions above those given in the Characteristics sections of this document is not implied. Exposure to limiting values for extended periods may affect device reliability.

Terms and conditions of sale — NXP Semiconductors products are sold subject to the general terms and conditions of commercial sale, as published at <http://www.nxp.com/profile/terms>, including those pertaining to warranty, intellectual property rights infringement and limitation of liability, unless explicitly otherwise agreed to in writing by NXP Semiconductors. In case of any inconsistency or conflict between information in this document and such terms and conditions, the latter will prevail.

No offer to sell or license — Nothing in this document may be interpreted or construed as an offer to sell products that is open for acceptance or the grant, conveyance or implication of any license under any copyrights, patents or other industrial or intellectual property rights.

Export control — This document as well as the item(s) described herein may be subject to export control regulations. Export might require a prior authorization from national authorities.

15.4 Trademarks

Notice: All referenced brands, product names, service names and trademarks are the property of their respective owners.

16. Contact information

For more information, please visit: <http://www.nxp.com>

For sales office addresses, please send an email to: salesaddresses@nxp.com

17. Contents

1 General description 1

2 Features 1

3 Ordering information 1

4 Functional diagram 2

5 Pinning information 3

5.1 Pinning 3

5.2 Pin description 3

6 Functional description 4

6.1 Function table 4

6.2 Description 4

7 Limiting values 5

8 Recommended operating conditions 5

9 Static characteristics 5

10 Dynamic characteristics 6

11 Waveforms 7

12 Package outline 10

13 Abbreviations 13

14 Revision history 13

15 Legal information 14

15.1 Data sheet status 14

15.2 Definitions 14

15.3 Disclaimers 14

15.4 Trademarks 14

16 Contact information 14

17 Contents 15

Please be aware that important notices concerning this document and the product(s) described herein, have been included in section 'Legal information'.

