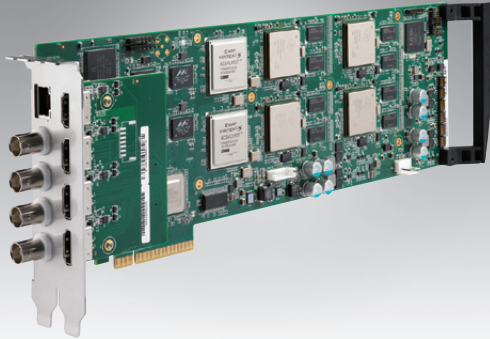


DSPC-8662H-PCXE

4-Ch HDMI PCIe Video Decoder Card with 4-ch 3G-SDI inputs and SDK

Preliminary



Features

- Powered by quad TI TMS320DM8168 SoC
- 4-channel HDMI video / audio outputs up to 1920 x 1080 60 fps
- Supports H.264 / MJPEG / RAW HW decoding
- 4-channel SDI video + audio inputs up to Full HD 60 fps per channel
- Supports H.264 / MJPEG / RAW HW encoding
- One 10/100/1000 Mbps LAN ports
- Multi-port Ethernet and PCIe Express switch support
- Embedded with digital signal processor for 3rd party program implementation
- SDK with VC++ sample codes



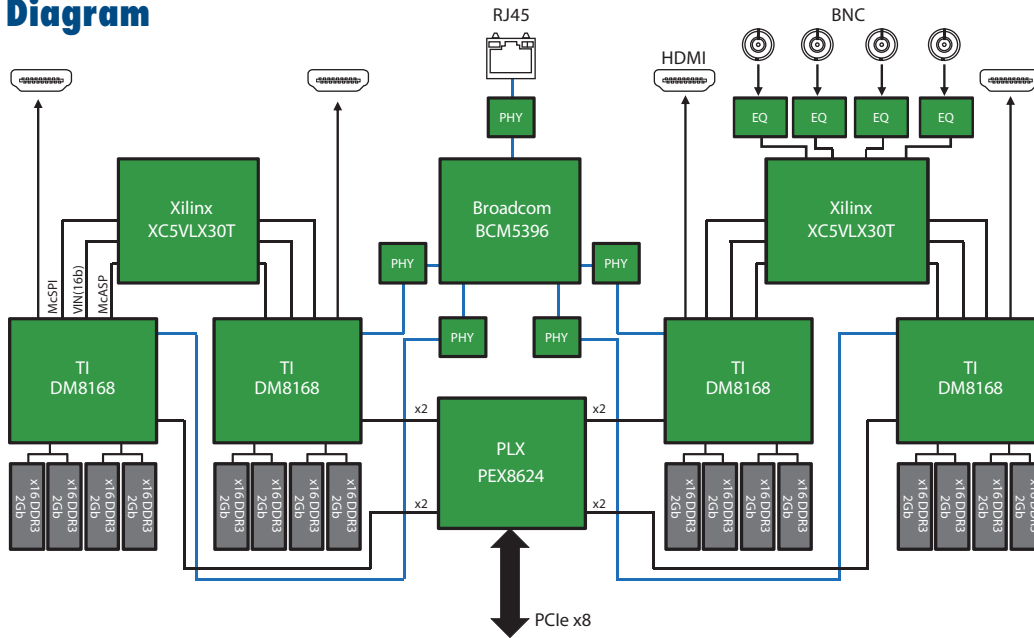
Introduction

DSPC-8662H-PCXE is an advanced PCIe video decoder and display card with the support of quad HDMI (High Definition Multimedia Interface) video and audio outputs. DSPC-8662H-PCXE is capable to perform 4-channel of H.264 / MJPEG / RAW decoding with up to Full HD 1080p resolution at 60 fps in each channel (total 240 fps simultaneously). Designed for video broadcasting applications, DSPC-8662H-PCXE also supports 4-channel SDI video / audio inputs, and lets users easily capture, encode and distribute multi-channel live video contents through Ethernet or PCI Express interface with the built-in switch support. For video surveillance applications, DSPC-8662H-PCXE can execute some powerful 3rd party programs like vision analytics functions by the on-chip high-performance DSP (Digital Signal Processor) that save the host computing resources. With an easy-to-use software development kit (SDK), DSPC-8662H-PCXE is an ideal solution for system integrators to implement versatile applications, to fulfill various customers' requirements.

Specifications

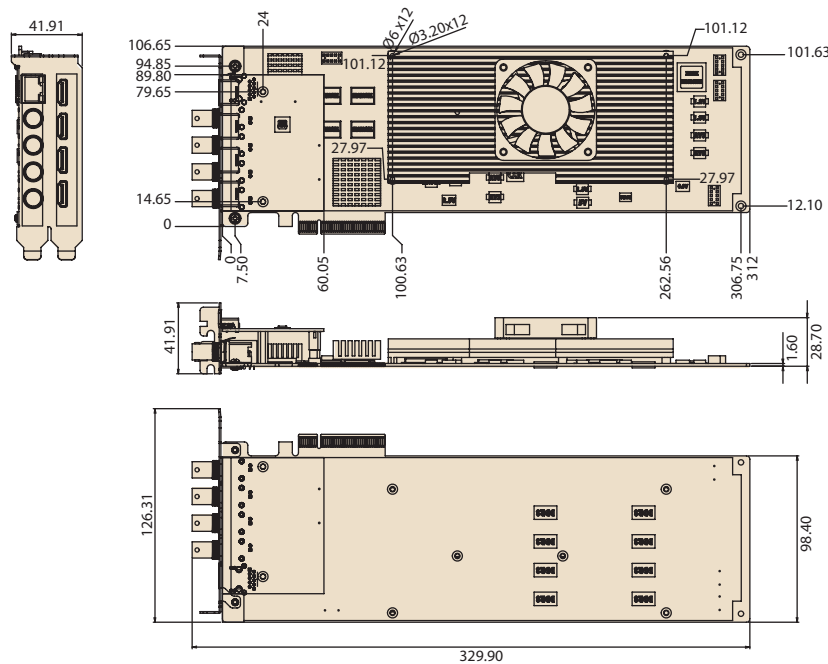
Video Output	Channel	4
	Output Format	HDTV
	Resolution	Up to 1920 x 1080p (Full HD 1080p)
	Decoding Format	H.264 / MJPEG / RAW
	Max. Frame Rate	60 fps at Full HD 1080p per channel
	Connector	HDMI
Video Input	Channels	4
	Input Format	SD-SDI / HD-SDI / 3G-SDI
	SDI Standards	SMPTE 259M / 292M / 344M / 424M (depends on the performance of the inputs device)
	Resolution	Up to 1920 x 1080p (Full HD 1080p)
	Compression	H.264 / MJPEG / RAW
	Max. Frame Rate	240 fps at Full HD 1080p (up to 60 fps per channel)
	Bit Rate Control	CBR / VBR / ABR
	Connectors	BNC
Audio Input	Channels	4
	Compression	ADPCM / G.711
	Sampling Rate	Up to 16-bit, 44KHz, stereo
	Connectors	BNC (shared with video inputs)
Peripherals & Accessories	LAN Port	10/100/1000 Mbps LAN port x1; RJ-45 connector
	Data Bus	PCIe Gen-2 x8
Physical Characteristics	Power Consumption	< 60W
	Operating Temperature	0 ~ 60° C (32 ~ 140° F)
	Dimensions	270 x 111.15 mm (10.63" x 4.38")
Software	Supported OS	Windows XP / XPe / Vista / 7 Linux
	SDK	User's Manual Programming Guide VC++ Sample Codes
	DirectX Required	Version 9 or above

Block Diagram



Dimensions

Unit: mm



Ordering Information

Part Number	Description
DSPC-8662H-PCXE	4-ch HDMI PCIe Video Decoder Card with 4-ch 3G-SDI inputs and SDK
DSPC8661ACY001-E	JTAG debug board