

10 BASE-T ETHERNET SMD FILTER

462 Boston St - Topsfield, MA 01983 - Phone: 978-887-8050 - Fax: 978-887-5434

- Designed for 10 BASE-T applications.
- Fully compatible with IEEE 802.3 standard.
- 16-PIN SMD low profile package.
- Storage temperature range: -40°C to +125°C.



Electrical Specifications @ 25°C Operating Temperature range: 0°C to +70°C

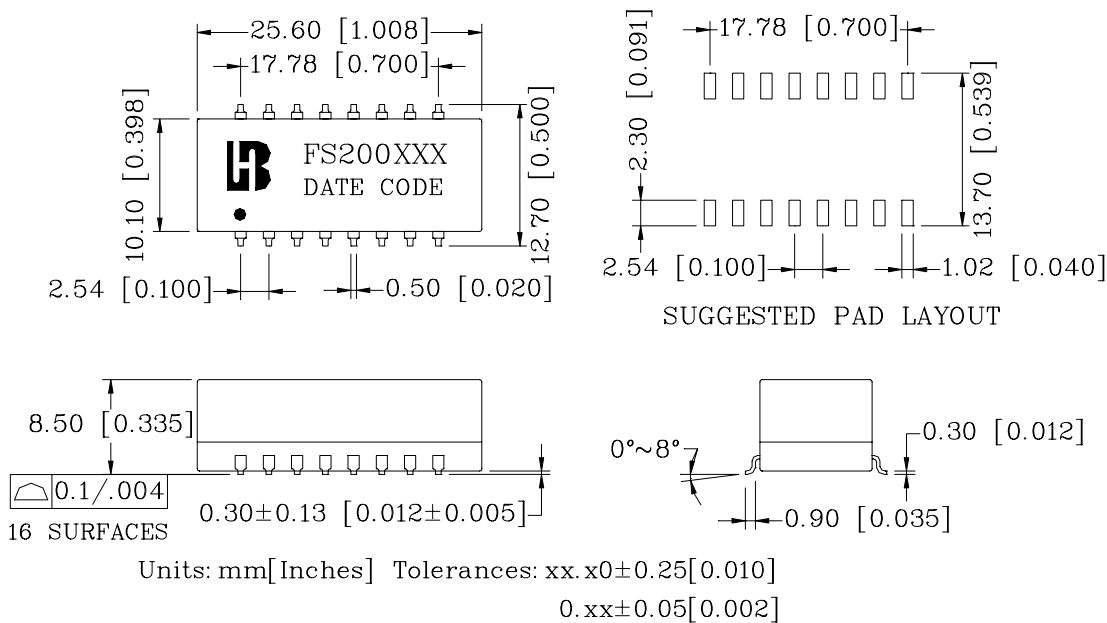
Isolation Voltage: 1500Vrms

CUT-OFF Frequency: 17 MHz ± 1.5MHz

Note: "*" Operating temperature range: -40°C to +85°C

Part Number	Turns Ratio		Insertion Loss TX/RX (dB Max)	Return Loss TX/RX (dB Min)		Cross talk (dB Min)	Common mode Rejection TX/RX (dB Min)	Attenuation TX/RX (dB Min)			
	TX	RX		1~10MHz	5-10MHz			1-10 MHz	1-10 MHz	30-100MHz	20MHz
FS2007R	1:1		-5.0	-13.5	-	-25	-30	-7/-6	-19/-14	-30/-20	-32/-31
FS2007RM*	1:1		-5.0	-13.5	-	-25	-30	-7/-6	-19/-14	-30/-20	-32/-31
FS2009	1CT:1.41/1CT:1		-1.0	-	-14	-30	-30	-7/-5	-18/-11	-28/-16	-33/-26
FS2009A	1CT:1.41CT/1CT:1		-1.0	-	-14	-30	-30	-7/-5	-18/-11	-28/-16	-33/-26
FS2009M*	1CT:1.41/1CT:1		-1.0	-	-14	-30	-30	-7/-5	-18/-11	-28/-16	-33/-26

Mechanicals

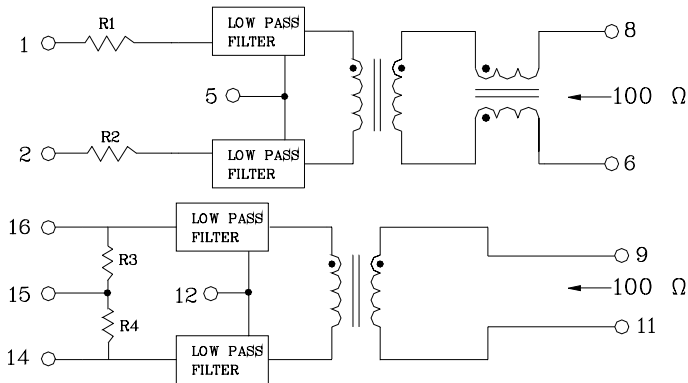


10 BASE-T ETHERNET SMD FILTER

462 Boston St - Topsfield, MA 01983 - Phone: 978-887-8050 - Fax: 978-887-5434

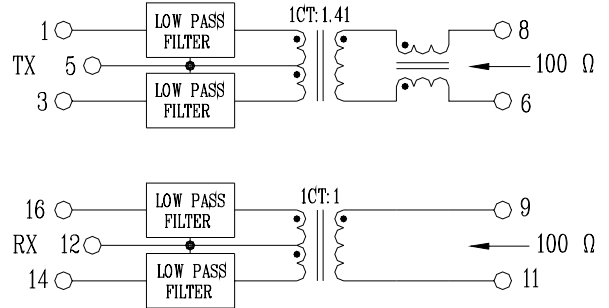
Schematics

FS2007R, FS2007RM



Units	R1	R2	R3	R4
Ohm	39.0	39.0	49.9	49.9

FS2009, FS2009M



FS2009A

