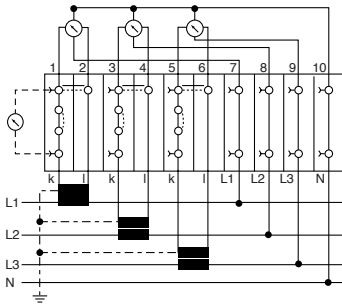


Disconnect Terminals

Slide link disconnect terminals offer a superior solution for simple current transformer circuits and measurement transformer test sets using SAKT 1/LT lateral disconnect terminals, or SAKT 1/DU feed through terminals and SAKT 1/QT cross disconnect terminals.

Current transformers must always have a closed secondary circuit, even when changing measuring equipment (see schematic below).



Stationary Jumpers

QL jumpers serve as fixed cross-connections for the Disconnect Terminals. The QL jumpers require the use of a fixing screw (BS M) and a connection sleeve (VH) when attaching the jumper to the current bar. The WQV jumpers are provided with a retained jumper screw.

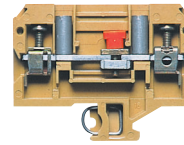
Sliding Jumpers

QS and QVS jumpers are sliding jumpers. These jumpers are used to temporarily connect or disconnect adjacent terminal blocks. When the jumper screws are loose, the jumper can move to either open or close the cross connection between blocks. Tightening the jumper screws holds the jumper in either the open (disconnected) or closed (shorted) position.

QB jumpers work in a similar manner except that the jumpers remain fixed. An internal sliding connection link connected to the current bar either opens or closes the connection based on whether the link is in contact with the jumper or not.

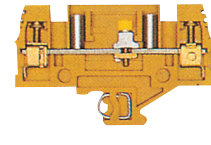
SSP disconnect locks snap into the terminal block. These locks must be removed to change the position of the sliding link connection.

SAKT 1/LT



Slide Link

SAKT 2/LT



Slide Link

Terminal Block Selection Data

Available Options	Version
	PA
	2 StB test points PA
	Back wall closed KrG
	Back wall open KrG
	4 StB 14 test points ø4.0 KrG 60 V**
	1 StB 8.5 test point ø2.0 KrG
	1 StB 8.5 test point ø2.3 KrG
	2 StB 14 test points ø4 KrG
	2 StB 14 test points ø2.3 KrG

Dimensions

Width / Length / Height mm (in.)	for TS 32	for TS 35
Insulation stripping length	mm (in.)	mm (in.)

Technical Data

Rated voltage / rated current / wire size UL	CSA	VDE
Torque	Nm (lb. in.)	M
Clamping screw		

Selected Accessory Data[‡]

End Plate (thickness mm)	Type	Part No.
	PA	AP (1.5) 0146760000
	KrG	AP (3.0) 0146720000
Partition (thickness mm)		
	PA	TW (1.5) 0242960000
	KrG	TW (3.0) 0242920000
	HP	TW (0.5) 0474700000
Small Partition		
	TSch 2	0353660000

Jumpers



Final number indicates number of poles. See the Accessories Section for more information.

Connection sleeve
Fixing screw

Switchable Jumper Links



Test Plugs

Disconnect Lock

Marking Tags

Note: Part numbers are shown for a single card of pre-printed tags numbered 1-50.	Consecutive horizontal	Consecutive vertical
	DEK 5/6 0468660001	DEK 5/6 0468660001
	DEK 5/6 0468760001	DEK 5/6 0468760001

Slide Link	Slide Link		
0105660000			
0269120000	0105420000		
	0445420000		
	0437720000		
	0106020000		
0437920000	0105620000		
	0330620000		
	0105920000		
Type	Part No.	Type	Part No.
AP (1.5)	0146760000	AP (1.5)	0146760000
AP (3.0)	0146720000	AP (1.5)	0329120000
TW (1.5)	0242960000	TW (1.5)	0242960000
TW (3.0)	0242920000	TW (2.5)	0351820000
TW (0.5)	0474700000	TW (0.5)	0474700000
TSch 2	0353660000	TSch 2	0353660000
QL 2	0194300000	QL 2	0194300000
QL 3	0194400000	QL 3	0194400000
QL 4	0194500000	QL 4	0194500000
QL 10	0338300000	QL 10	0338300000
VH 12	0249000000	VH 12	0249000000
BS M 3 x 20 Cu	0377100000	BS M 3 x 20 Cu	0377100000
QS 2	0270960000	QS 2	0270960000
QVS 2	0307300000	QVS 2	0307300000
QVS 3	0329300000	QVS 3	0329300000
QVS 4	0307400000	QVS 4	0307400000
VH 19	0318000000	VH 19	0318000000
BS 25 bare	0334700000	BS 25 bare	0334700000
QB 2	0205700000	QB 2	0205700000
QB 3	0205800000	QB 3	0205800000
QB 4	0205900000	QB 4	0205900000
QB 10	0343800000	QB 10	0343800000
PS 4	0299600000	PS 4	0299600000
SSP 3	0531760000	SSP 3	0531760000
DEK 5/6	0468660001	DEK 5/6	0468660001
DEK 5/6	0468760001	DEK 5/6	0468760001

[‡]See Accessories section for additional information.
*For TS 35 #22...8 AWG
**With AP 380 V