

PLEASE CHECK WWW.MOLEX.COM FOR LATEST PART INFORMATION

Part Number: [0398900402](#)
Status: **Active**
Description: 5.00mm (.197") Pitch Beau™ Eurostyle™ Low Profile, 35° Wire Entry, Single Level Modular Terminal Block, 2 Circuits

Documents:

[3D Model](#) [RoHS Certificate of Compliance \(PDF\)](#)
[Drawing \(PDF\)](#)

General

Product Family	Terminal Blocks
Series	39890
Application	Wire-to-Board
Component Type	One Piece
Product Literature Order No	USA-260
Product Name	Eurostyle™ Fixed Mount
Type	Euro Block

Physical

Circuits (Loaded)	2
Circuits (maximum)	2
Entry Angle	35° Angle
Flammability	94V-0
Lock to Mating Part	None
Number of Rows	1
Orientation	Vertical
PC Tail Length (in)	0.150 In
PC Tail Length (mm)	3.81 mm
PCB Retention	None
PCB Thickness Recommended (in)	0.102 In
PCB Thickness Recommended (mm)	2.60 mm
Panel Mount	No
Pitch - Mating Interface (in)	0.197 In
Pitch - Mating Interface (mm)	5.00 mm
Pitch - Term. Interface (in)	0.197 In
Pitch - Term. Interface (mm)	5.00 mm
Polarized to Mating Part	No
Shrouded	Fully
Stackable	Yes
Surface Mount Compatible (SMC)	No
Temperature Range - Operating	105°C
Wire Size AWG	12, 14, 16, 18, 20, 22, 24, 26, 28, 30
Wire Size mm²	0.05 - 2.50

Electrical

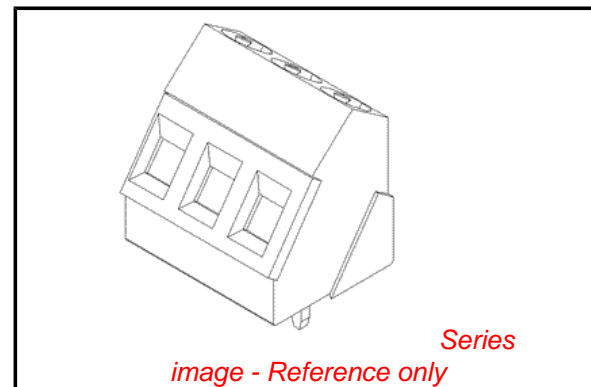
Current - Maximum per Contact	17.5A
UL	E48521
Voltage - Maximum	300V

Material Info

Old Part Number	890202
-----------------	--------

Reference - Drawing Numbers

Sales Drawing	SD-39890-001
---------------	--------------



EU RoHS

ELV and RoHS Compliant
REACH SVHC
 Not Reviewed
Halogen-Free Status

China RoHS



Not Reviewed

Need more information on product environmental compliance?

Email productcompliance@molex.com
 For a multiple part number RoHS Certificate of Compliance, [click here](#)

Please visit the [Contact Us](#) section for any non-product compliance questions.

Search Parts in this Series

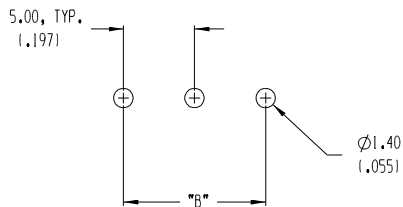
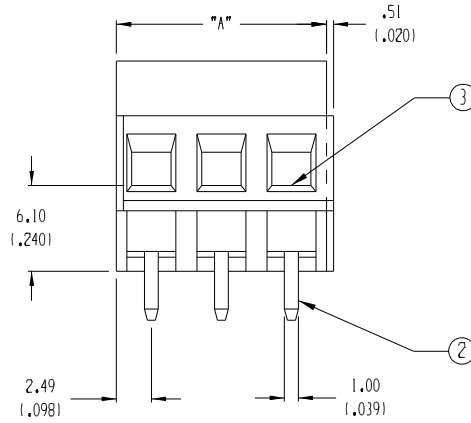
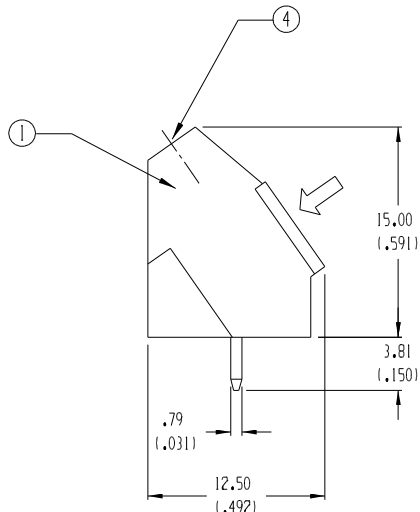
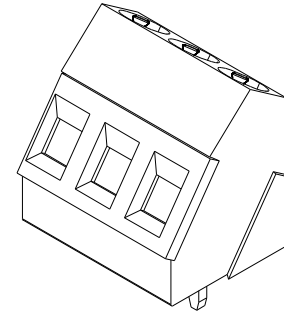
[39890Series](#)

Mates With

N/A

This document was generated on 02/12/2010

PLEASE CHECK WWW.MOLEX.COM FOR LATEST PART INFORMATION



MATERIAL NO.	NUMBER OF CIRCUITS "XX"	DIM. "A"	DIM. "B"
398900402	02	10.00 (.394)	5.00 (.197)
398900403	03	15.00 (.591)	10.00 (.394)
398900404	04	20.00 (.787)	15.00 (.591)
398900405	05	25.00 (.984)	20.00 (.787)
398900406	06	30.00 (1.181)	25.00 (.984)
398900407	07	35.00 (1.378)	30.00 (1.181)
398900408	08	40.00 (1.575)	35.00 (1.378)
398900409	09	45.00 (1.772)	40.00 (1.575)
398900410	10	50.00 (1.969)	45.00 (1.772)
398900411	11	55.00 (2.166)	50.00 (1.969)
398900412	12	60.00 (2.363)	55.00 (2.166)

- NOTES:
1. MATERIAL: SEE TABLE
 2. FINISHES: SEE TABLE
 3. PRODUCT SPECIFICATION: NOT REQUIRED
 4. PACKAGING: NOT REQUIRED
 5. MATES WITH: NONE
 6. 3 CIRCUIT SHOWN.

ITEM	QTY.	DESCRIPTION	MATERIAL	FINISH
4	XX	SCREW	COPPER	NICKEL
3	XX	CAGE CLAMP	COPPER	NICKEL
2	XX	TERMINAL	COPPER	HOT TIN DIP
1	1	INSULATOR	POLYAMIDE	BLACK

EC NO. ECN# 3846
 DRWN: CY 09-02-04
 CHK: APPR1

MAJOR
 CRITICAL
 SPC

QUALITY SYMBOLS

GENERAL TOLERANCES: (UNLESS SPECIFIED)

	mm	INCH
4 PLACES	±.0015	±.0015
3 PLACES	±.038	±.005
2 PLACES	±.13	±.01
1 PLACE	±.3	

ANGULAR: ±2°

DRAFT WHERE APPLICABLE MUST REMAIN WITHIN DIMENSIONS

SCALE 3:1

DESIGN UNITS mm INCH

THIRD ANGLE PROJECTION

DRAWN BY & DATE
R. KEMP 7-1-03

CHECKED BY & DATE
R. STONE 7-1-03

APPROVED BY & DATE
P. WALTZ 7-1-03

CAD FILENAME
8902XX

THIS DRAWING CONTAINS INFORMATION THAT IS PROPRIETARY TO MOLEX INCORPORATED AND SHOULD NOT BE USED WITHOUT WRITTEN PERMISSION.

PROJECT NO. N/A

DIMENSIONS: mm INCH mm ONLY

SHT REV

REVISE ON CAD ONLY

TITLE: 5.00mm EUROSTYLE MEDIUM, SINGLE ROW, 35° ANGLED ENTRY

MOLEX INCORPORATED

MATERIAL NO. SEE CHART

DRAWING NO. SD-39890-001

SHEET NO. 1 OF 1

SIZE B