



# 11N40

*Power MOSFET*

## 11.4A, 400V N-CHANNEL POWER MOSFET

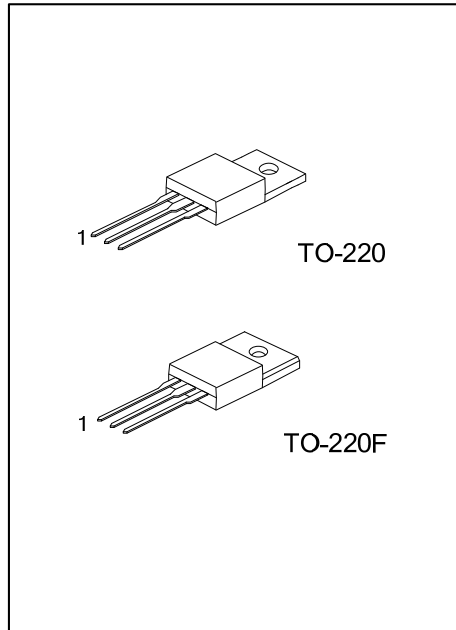
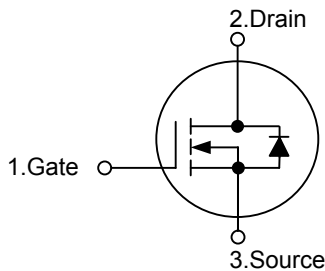
■ DESCRIPTION

The **11N40** uses UTC's advanced proprietary, planar stripe, DMOS technology to provide excellent  $R_{DS(ON)}$ , low gate charge and operation with low gate voltages. This device is suitable for use as a load switch or in PWM applications.

■ FEATURES

- \*  $R_{DS(ON)} = 0.52\Omega @ V_{GS} = 10 V$
- \* Ultra Low Gate Charge ( Typical 27 nC )
- \* Low Reverse Transfer Capacitance (  $C_{RSS} = \text{Typical } 20 \text{ pF}$  )
- \* Fast Switching Capability
- \* Avalanche Energy Specified
- \* Improved dv/dt Capability, High Ruggedness

■ SYMBOL



■ ORDERING INFORMATION

Ordering Number		Package	Pin Assignment			Packing
Lead Free	Halogen Free		1	2	3	
11N40L-TA3-T	11N40G-TA3-T	TO-220	G	D	S	Tube
11N40L-TF3-T	11N40G-TF3-T	TO-220F	G	D	S	Tube

Note: Pin Assignment: G: Gate D: Drain S: Source

<p>11N40L-TA3-T</p>	<p>(1) Packing Type (1) T: Tube</p> <p>(2) Package Type (2) TA3: TO-220, TF3: TO-220F</p> <p>(3) Lead Free (3) G: Halogen Free, L: Lead Free</p>
---------------------	--

■ ABSOLUTE MAXIMUM RATING ( $T_C = 25^\circ\text{C}$ , unless otherwise specified)

PARAMETER		SYMBOL	RATINGS	UNIT
Drain-Source Voltage		$V_{DSS}$	400	V
Gate-Source Voltage		$V_{GSS}$	$\pm 30$	V
Continuous Drain Current ( $T_C = 25^\circ\text{C}$ )		$I_D$	11.4	A
Pulsed Drain Current (Note 2)		$I_{DM}$	46	A
Avalanche Current (Note 2)		$I_{AR}$	11.4	A
Avalanche Energy	Single Pulsed(Note 3)	$E_{AS}$	520	mJ
	Repetitive(Note 2)	$E_{AR}$	14.7	
Peak Diode Recovery dv/dt (Note 4)		dv/dt	4.5	V/ns
Power Dissipation		$P_D$	147	W
Derate above $25^\circ\text{C}$			1.18	$\text{W}/^\circ\text{C}$
Junction Temperature		$T_J$	150	$^\circ\text{C}$
Storage Temperature		$T_{STG}$	-55 ~ +150	$^\circ\text{C}$

- Notes: 1. Absolute maximum ratings are those values beyond which the device could be permanently damaged. Absolute maximum ratings are stress ratings only and functional device operation is not implied.
2. Repetitive Rating: Pulse width limited by maximum junction temperature.
3.  $L=7\text{mH}$ ,  $I_{AS}=11.4\text{A}$ ,  $V_{DD}=50\text{V}$ ,  $R_G=25\Omega$ , Starting  $T_J=25^\circ\text{C}$ .
4.  $I_{SD} \leq 11.4\text{A}$ ,  $di/dt \leq 200\text{A}/\mu\text{s}$ ,  $V_{DD} \leq BV_{DSS}$ , Starting  $T_J=25^\circ\text{C}$ .

■ THERMAL DATA

PARAMETER	SYMBOL	RATINGS	UNIT
Junction to Ambient	$\theta_{JA}$	62.5	$^\circ\text{C}/\text{W}$
Junction to Case	$\theta_{JC}$	0.85	$^\circ\text{C}/\text{W}$

■ ELECTRICAL CHARACTERISTICS ( $T_J=25^\circ\text{C}$ , unless otherwise specified)

PARAMETER	SYMBOL	TEST CONDITIONS	MIN	TYP	MAX	UNIT
<b>OFF CHARACTERISTICS</b>						
Drain-Source Breakdown Voltage	$BV_{DSS}$	$V_{GS}=0\text{ V}, I_D=250\ \mu\text{A}$	400			V
Zero Gate Voltage Drain Current	$I_{DSS}$	$V_{DS}=400\text{V}, V_{GS}=0\text{ V}$			1	$\mu\text{A}$
		$V_{DS}=320\text{V}, T_C=125^\circ\text{C}$			10	
Gate-Body Leakage Current	$I_{GSS}$	$V_{DS}=0\text{ V}, V_{GS}=\pm 30\text{ V}$			$\pm 100$	nA
Breakdown Voltage Temperature Coefficient	$\Delta BV_{DSS}/\Delta T_J$	$I_D=250\ \mu\text{A}$ , Referenced to $25^\circ\text{C}$		0.42		mV/ $^\circ\text{C}$
<b>ON CHARACTERISTICS</b>						
Gate Threshold Voltage	$V_{GS(TH)}$	$V_{DS}=V_{GS}, I_D=250\ \mu\text{A}$	2.0		4.0	V
Static Drain-Source On-Resistance	$R_{DS(ON)}$	$V_{GS}=10\text{ V}, I_D=5.7\text{ A}$		0.42	0.52	$\Omega$
<b>DYNAMIC PARAMETERS</b>						
Input Capacitance	$C_{ISS}$	$V_{DS}=25\text{V}, V_{GS}=0\text{V}, f=1\text{MHz}$		1100	1400	pF
Output Capacitance	$C_{OSS}$			180	240	
Reverse Transfer Capacitance	$C_{RSS}$			20	30	
<b>SWITCHING PARAMETERS</b>						
Turn-ON Delay Time	$t_{D(ON)}$	$V_{DD}=200\text{V}, I_D=11.4\text{A},$ $R_{GEN}=25\Omega$ (Note 1, 2)		30	70	ns
Turn-ON Rise Time	$t_R$			100	210	
Turn-OFF Delay Time	$t_{D(OFF)}$			60	130	
Turn-OFF Fall-Time	$t_F$			60	130	
Total Gate Charge	$Q_G$	$V_{DS}=320\text{V}, V_{GS}=10\text{V},$ $I_D=11.4\text{A}$ (Note 1, 2)		27	35	nC
Gate Source Charge	$Q_{GS}$			7.3		
Gate Drain Charge	$Q_{GD}$			12.3		
<b>SOURCE- DRAIN DIODE RATINGS AND CHARACTERISTICS</b>						
Drain-Source Diode Forward Voltage	$V_{SD}$	$I_S=11.4\text{ A}, V_{GS}=0\text{V}$			1.5	V
Maximum Continuous Drain-Source Diode Forward Current	$I_S$				11.4	A
Maximum Pulsed Drain-Source Diode Forward Current	$I_{SM}$				46	
Reverse Recovery Time	$t_{rr}$	$V_{GS}=0\text{V}, dI_F/dt=100\text{ A/s},$		240		ns
Reverse Recovery Charge	$Q_{RR}$	$I_S=11.4\text{A}$ (Note 1)		1.8		$\mu\text{C}$

Notes: 1. Pulse Test: Pulse Width  $\leq 300\ \mu\text{s}$ , Duty Cycle  $\leq 2\%$ .  
2. Independent of operating temperature.

■ TEST CIRCUIT

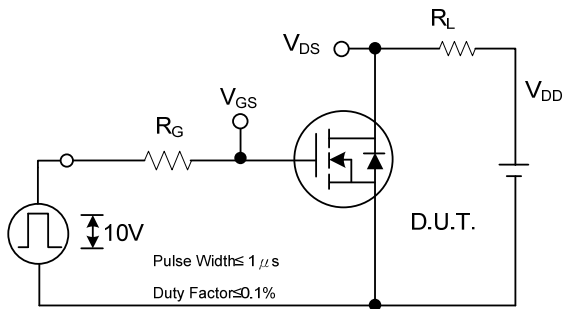


Fig. 2A Switching Test Circuit

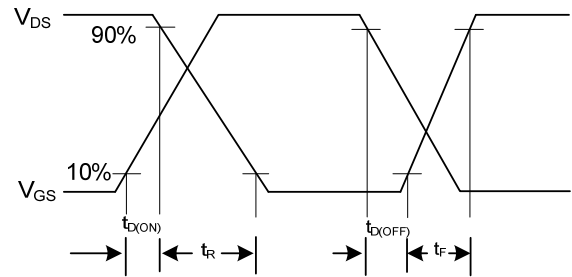


Fig. 2B Switching Waveforms

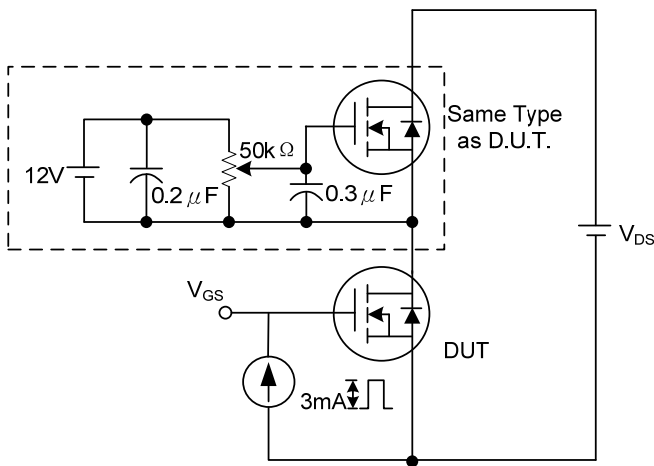


Fig. 3A Gate Charge Test Circuit

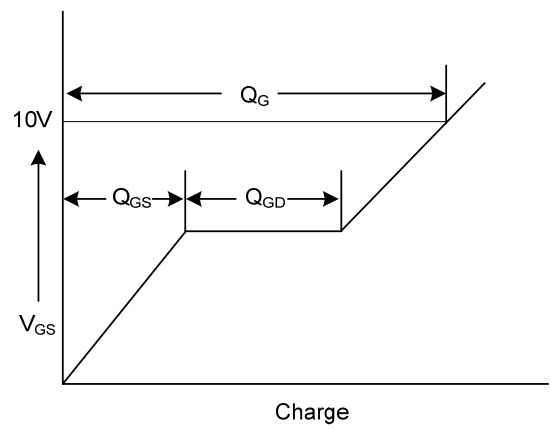


Fig. 3B Gate Charge Waveform

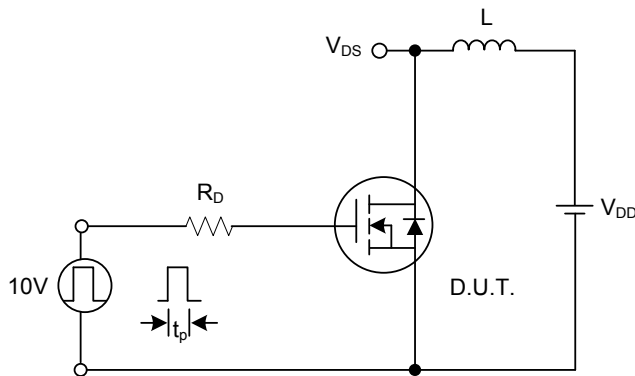


Fig. 4A Unclamped Inductive Switching Test Circuit

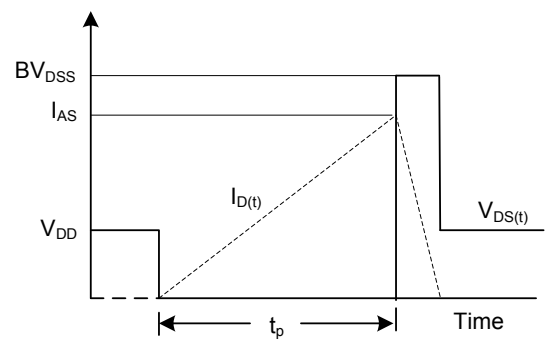


Fig. 4B Unclamped Inductive Switching Waveforms

■ TEST CIRCUIT(Cont.)

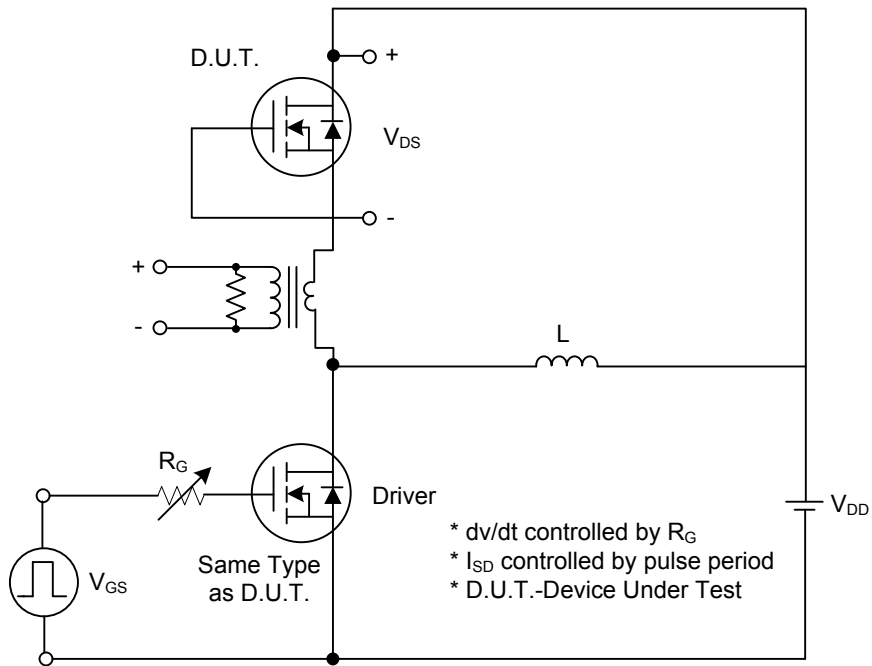
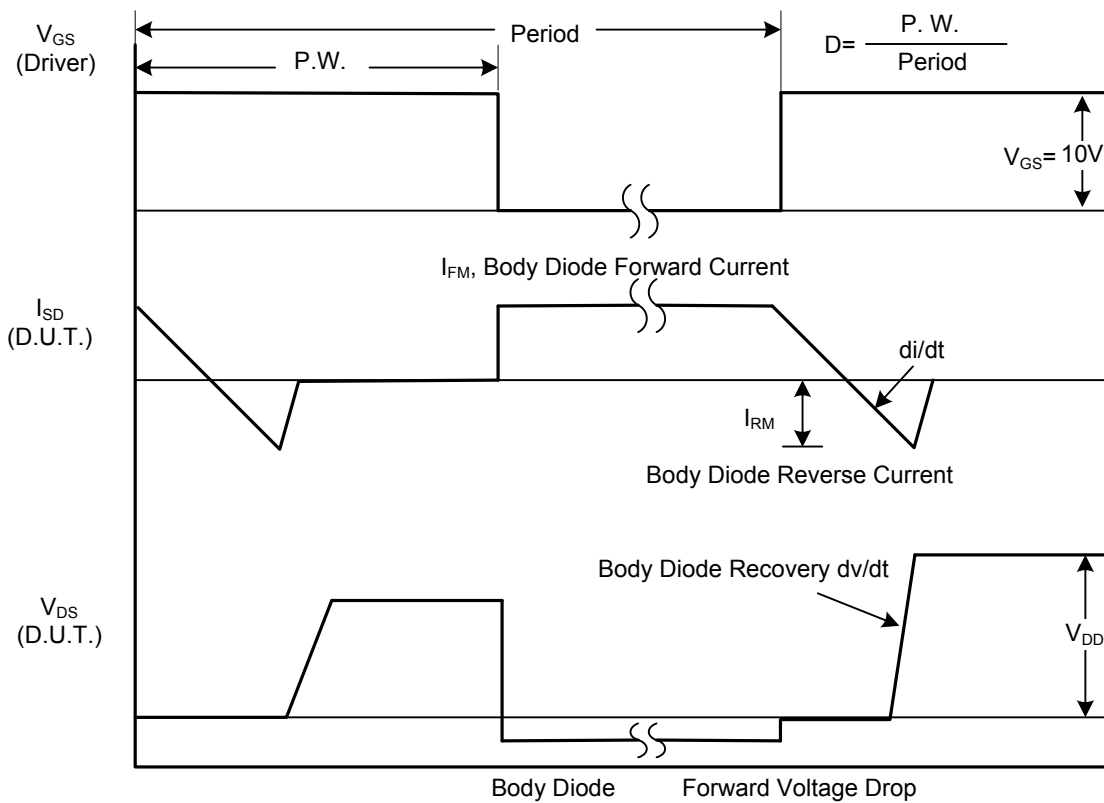
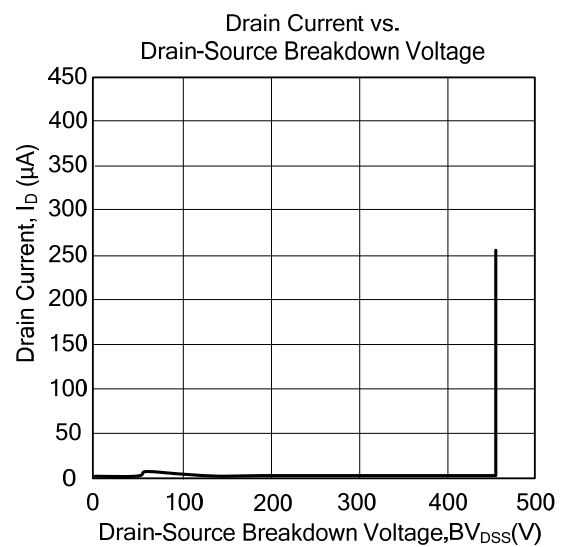
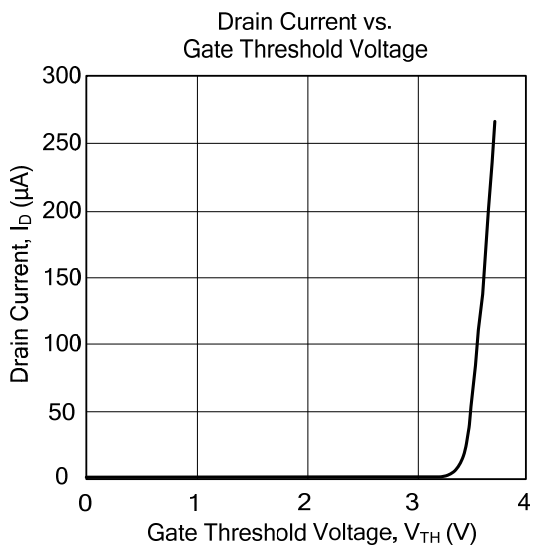
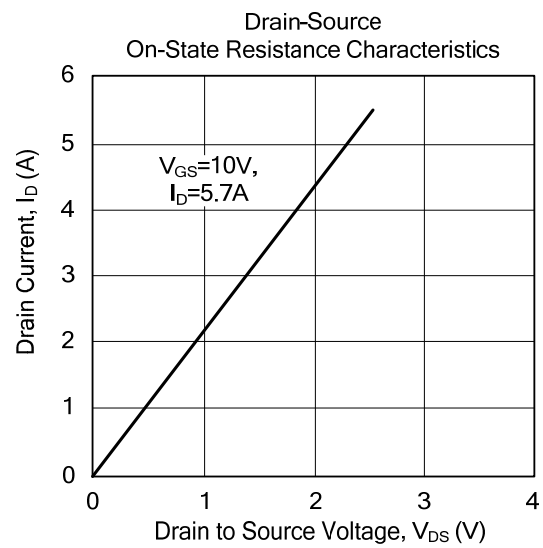
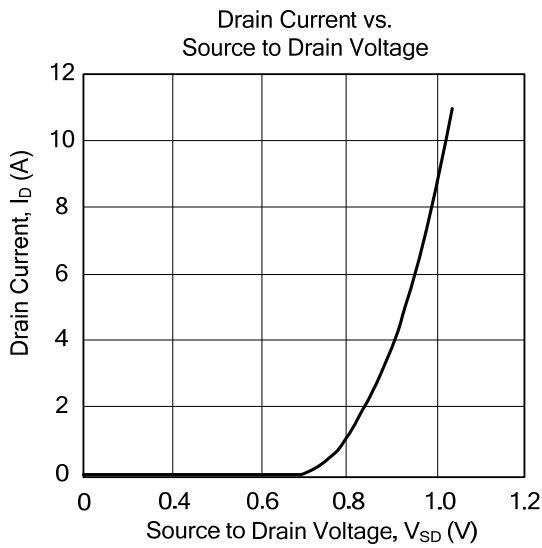


Fig. 1A Peak Diode Recovery  $dv/dt$  Test Circuit



## TYPICAL CHARACTERISTICS



UTC assumes no responsibility for equipment failures that result from using products at values that exceed, even momentarily, rated values (such as maximum ratings, operating condition ranges, or other parameters) listed in products specifications of any and all UTC products described or contained herein. UTC products are not designed for use in life support appliances, devices or systems where malfunction of these products can be reasonably expected to result in personal injury. Reproduction in whole or in part is prohibited without the prior written consent of the copyright owner. The information presented in this document does not form part of any quotation or contract, is believed to be accurate and reliable and may be changed without notice.