

Power Cord with IEC Connector C19, Straight

new



C19



70 °C

**Description**

Power Supply Cord / Interconnection Cord, Protection class I, Pin temperature 70 °C, Cable

**References**

[General Product Information](#)

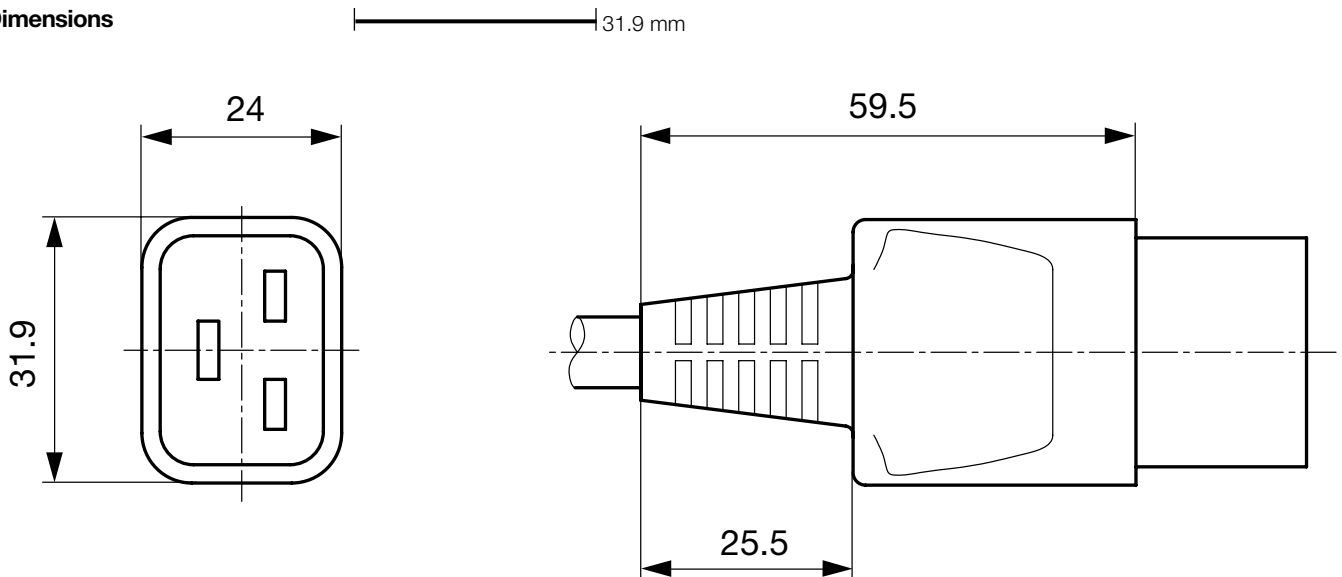
**Weblinks**

[Approvals](#), [RoHS](#), [CHINA-RoHS](#), [Mating Connectors](#), [e-Store](#), [Distributor-Stock-Check](#), [Accessories](#)

**Technical Data**

Ratings IEC	16A / 250VAC; 50Hz
Ratings UL/CSA	16A / 250VAC; 60Hz
Dielectric Strength	> 3kVDC between L-N > 1.5kVAC between L/N-PE (1 min/50Hz)
Allowable Operation Temp.	-25 °C to 70 °C
Degree of Protection	from front side IP 20 acc. to IEC 60529
Protection Class	Suitable for appliances with protection class 1 acc. to IEC 61140
Terminal	moulded
Material: Housing	PVC, black or grey

Connector	C19 acc. to IEC/EN 60320-2-2 UL 498, CSA C22.2 no. 42 (for cold conditions) pin-temperature 70 °C, 16A, Protection Class 1
-----------	-------------------------------------------------------------------------------------------------------------------------------

**Dimensions**

## Config. Code

Product Configurator

Type - R - 1654 - D - Length

The characters are placeholders for the correspondingly keys of selections from the key tables. Typ is placed for the connector type on the second end, length is the cord length in mm.

Type - R - 1654 - D - Length = Cord end 2

### Cord end 2

zzzz, 2343, 422U, 4321, 4370

Type - R - 1654 - D - Length = Color

### Color

Configuration key

jet black; RAL9005

A

standard color: black

Type - R - 1654 - D - Length = cord type

### cord type

Configuration key

H05VV-F 3G1,0mm2

I

H05VV-F 3G1,5mm2

K

special cord

Z

Type - R - 1654 - D - Length = Cord length

### Cord length

zzzz, 000500, 001000, 001500, 002000, 002500, 003000, 005000

Cord length in mm

Cord definition is detailed in general product information XXX

## Mating Inlets/Plugs

### Category / Description

#### Appliance Inlet Overview complete



IEC Appliance Inlet C20, Screw-on Mounting, Rear Side, PCB Terminal	1601
IEC Appliance Inlet C20, Screw-on Mounting, Front Side, Solder or Quick-connect or Screw-on Terminal	1621
IEC Appliance Inlet C20, Snap-in Mounting, Front Side, Solder or Quick-connect Terminal	4793
IEC Appliance Inlet C24, Snap-in Mounting, Front Side, Solder or Quick-connect Terminal	4794
IEC Appliance Inlet C20, Screw-on Mounting, Front Side, Solder or Quick-connect Terminal	4798

[Appliance Inlet further types to 1654](#)



#### Appliance inlets/-outlets Overview complete

Plug Coupler IEC C20 / IEC J, Screw-on Mounting	4730
-------------------------------------------------	------

[Appliance inlets/-outlets further types to 1654](#)



#### Plug Overview complete

IEC Plug I, Cord Connector (Rewireable), Straight	0106
IEC Plug I, Cord Connector (Rewireable), Angled	1611
IEC Plug I, Cord Connector (Rewireable), Straight	1612
IEC Plug I, Cord Connector (Rewireable), Angled	4789
IEC Plug I, Cord Connector (Rewireable), Straight	4796

[Plug further types to 1654](#)

#### Power Entry Module Overview complete

IEC Appliance Inlet C20 with Circuit Breaker	1624-K
IEC Appliance Inlet C20 with Line Switch, 1- or 2-pole	EC11
IEC Appliance Inlet C20 with Circuit Breaker TA45	EF11
	EG11

[Power Entry Module further types to 1654](#)



## Category / Description

[Power Entry Module with line filter Overview complete](#)

IEC Appliance Inlet C20 with Filter, ECO design, front or rear side Mounting	5130
IEC Appliance Inlet C20 with Filter, Front or Rear Side Mounting	C20F
IEC Appliance Inlet C14 with Filter, Line Switch 2-pole	EC12
IEC Appliance Inlet C20 with Filter, Circuit Breaker TA45 (recessed)	EF12
	EG12

[Power Entry Module with line filter further types to 1654](#)