

PLEASE CHECK WWW.MOLEX.COM FOR LATEST PART INFORMATION

Part Number: [0743370055](#)
Status: **Active**
Description: 0.80mm (.031") Pitch Ultra+™ VHDCI Receptacle, Stacked, Right Angle, Enhanced Shield, Press-Fit PCB Retention Option, 136 Circuits, with Screw Locks and Cover

Documents:

[3D Model](#) [Product Specification PS-71425-9999 \(PDF\)](#)
[Drawing \(PDF\)](#) [RoHS Certificate of Compliance \(PDF\)](#)

Agency Certification

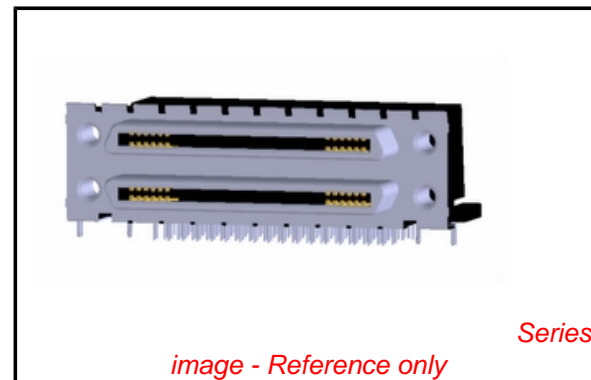
CSA LR19980
 UL E29179

General

Product Family I/O Connectors
 Series [74337](#)
 Application Wire-to-Board
 Comments Without Top Cover
 Component Type Receptacle
 Product Name SCSI+, VHDCI
 Type N/A

Physical

Boot Color N/A
 Circuits (Loaded) 136
 Circuits (maximum) 136
 Color - Resin Black
 Durability (mating cycles max) 500
 Flammability 94V-0
 Gender Female
 Lock to Mating Part Yes
 Material - Metal Brass
 Material - Plating Mating Tin
 Material - Plating Termination Tin
 Material - Resin High Temperature Thermoplastic
 Number of Rows 4
 Orientation Right Angle
 PC Tail Length (in) 0.143 In
 PC Tail Length (mm) 3.62 mm
 PCB Locator Yes
 PCB Retention Yes
 PCB Thickness Recommended (in) 0.093 In
 PCB Thickness Recommended (mm) 2.36 mm
 Packaging Type Tray
 Panel Mount Yes
 Pitch - Mating Interface (in) 0.031 In
 Pitch - Mating Interface (mm) 0.80 mm
 Pitch - Term. Interface (in) 0.031 In
 Pitch - Term. Interface (mm) 0.80 mm
 Plating min: Mating (µin) 40
 Plating min: Mating (µm) 1.00
 Plating min: Termination (µin) 40
 Plating min: Termination (µm) 1.00
 Polarized to Mating Part Yes
 Polarized to PCB Yes
 Ports 2



EU RoHS

RoHS Compliant by Exemption

REACH SVHC

Not Reviewed

Halogen-Free

Status

Not Reviewed

Need more information on product environmental compliance?

Email productcompliance@molex.com
 For a multiple part number RoHS Certificate of Compliance, [click here](#)

Please visit the [Contact Us](#) section for any non-product compliance questions.

China RoHS



Search Parts in this Series

[74337Series](#)

Mates With

[71425](#) Ultra+™ VHDCI Plug Kit

| | |
|--------------------------------|----------------|
| Surface Mount Compatible (SMC) | Yes |
| Temperature Range - Operating | -55°C to +85°C |
| Termination Interface: Style | Through Hole |
| Waterproof / Dustproof | No |
| Wire Size AWG | N/A |

Electrical

| | |
|-------------------------------|-----------------|
| Current - Maximum per Contact | 0.5A |
| Grounding to Panel | Screw Hole |
| Shield Type | Full Shield |
| Shielded | Yes |
| Voltage - Maximum | 30V AC (RMS)/DC |

Solder Process Data

| | |
|--|------------------------|
| Duration at Max. Process Temperature (seconds) | 40 |
| Lead-free Process Capability | Wave Capable (TH only) |
| Max. Cycles at Max. Process Temperature | 3 |
| Process Temperature max. C | 245 |

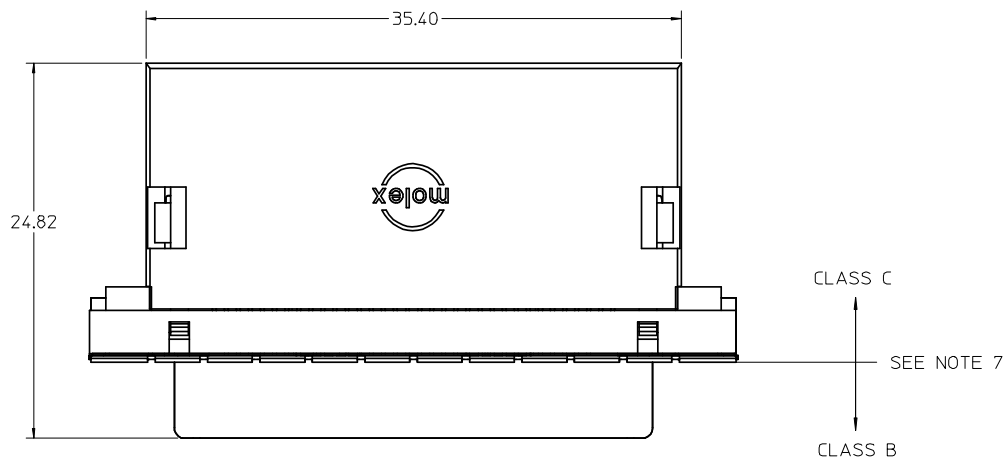
Material Info

Reference - Drawing Numbers

| | |
|-------------------------|---------------|
| Packaging Specification | PK-74337-001 |
| Product Specification | PS-71425-9999 |
| Sales Drawing | SD-74337-014 |

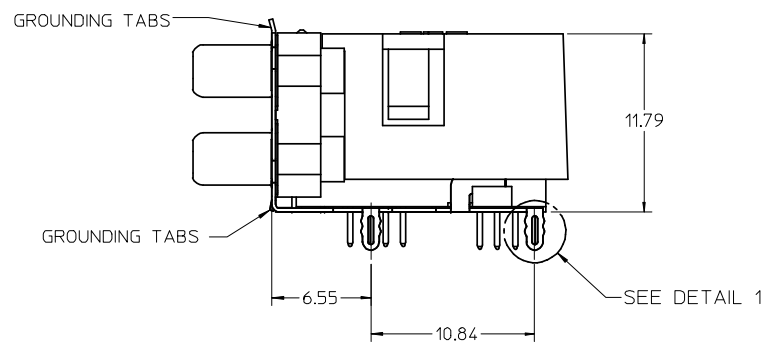
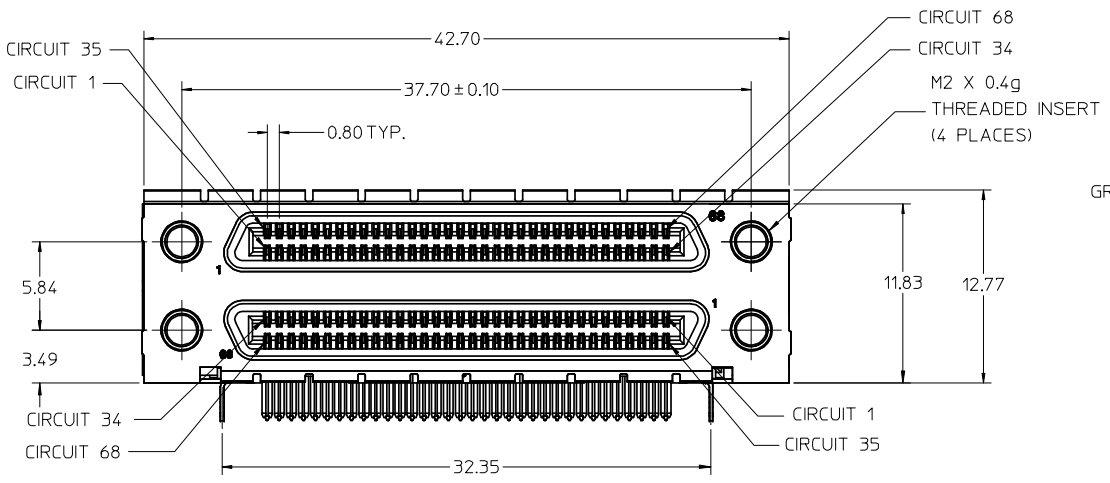
This document was generated on 05/28/2010

PLEASE CHECK WWW.MOLEX.COM FOR LATEST PART INFORMATION

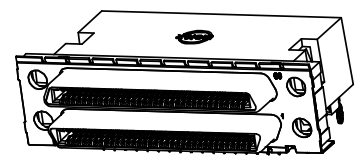


NOTES:

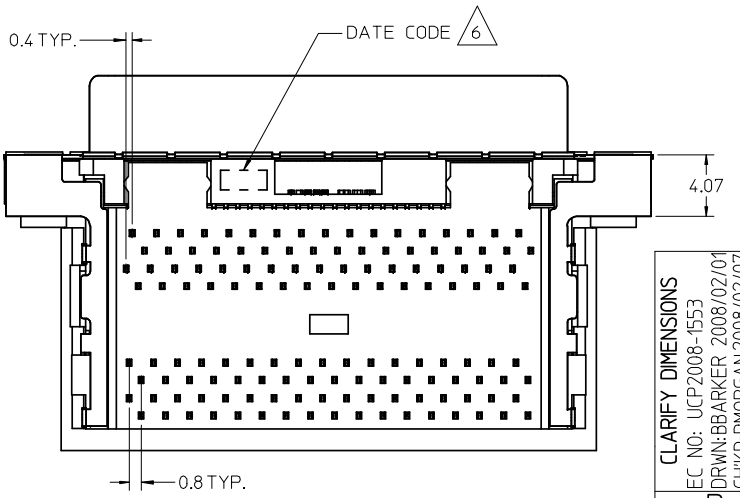
1. MATERIALS:
 HOUSING, COVER, AND TAIL ALIGNER: HIGH TEMPERATURE THERMOPLASTIC, UL94, V-0 RATED, COLOR: BLACK
 TERMINAL: PHOSPHOR BRONZE ALLOY
 BRACKET: BRASS
 SHELL: STEEL
 INSERT: BRASS
2. FINISHES:
 TERMINAL: 0.05-0.25 MICROMETERS GOLD FLASH IN CRITICAL AREA OVER 0.75 MICROMETERS MINIMUM PALLADIUM NICKEL IN CRITICAL AREA, 1.87 MICROMETERS MINIMUM TIN IN SOLDER TAIL AREA, ALL OVER NICKEL.
 BRACKET: 5.0 MICROMETERS MINIMUM BRIGHT TIN.
 SHIELD: 3.81 MICROMETERS MINIMUM BRIGHT TIN OVER 1.27 MICROMETERS MINIMUM NICKEL OVER COPPER FLASH (OPTIONAL).
 INSERT: 2.54 MICROMETERS MINIMUM NICKEL.
3. PRODUCT SPECIFICATION: PS-71425-9999.
4. PACKAGING SPECIFICATION: TRAY PACK PER PK-74337-001.
5. APPLICABLE STANDARDS: EIA-700A0AF AND SFF-8441.
6. DATE CODE: YR/WK PER EIA-476-A.
7. PRODUCT COMPLIES WITH COSMETIC SPECIFICATION PS-45499-002. SEE FIGURE AT LEFT FOR SURFACE CLASSIFICATIONS.
8. TORQUE TO INSTALL SCREWLOCKS INTO THREADED INSERTS: 0.34 Nm MAXIMUM.



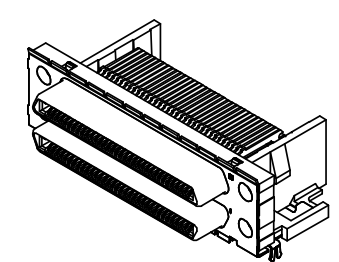
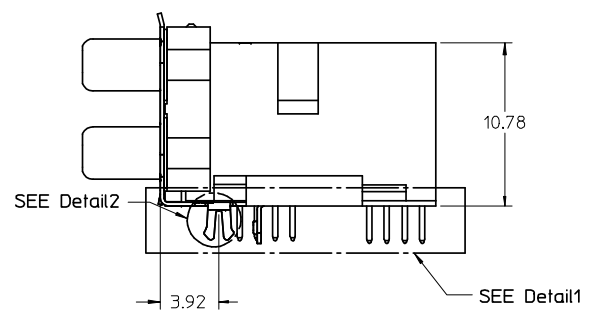
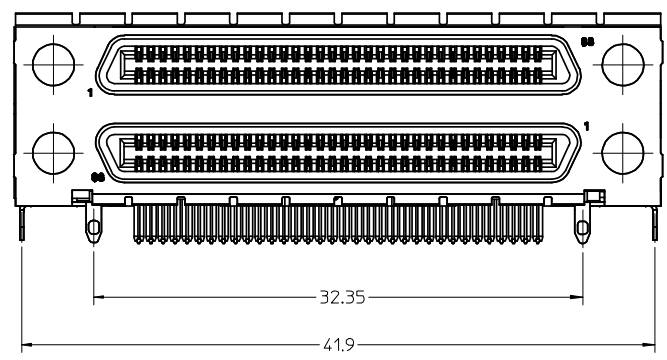
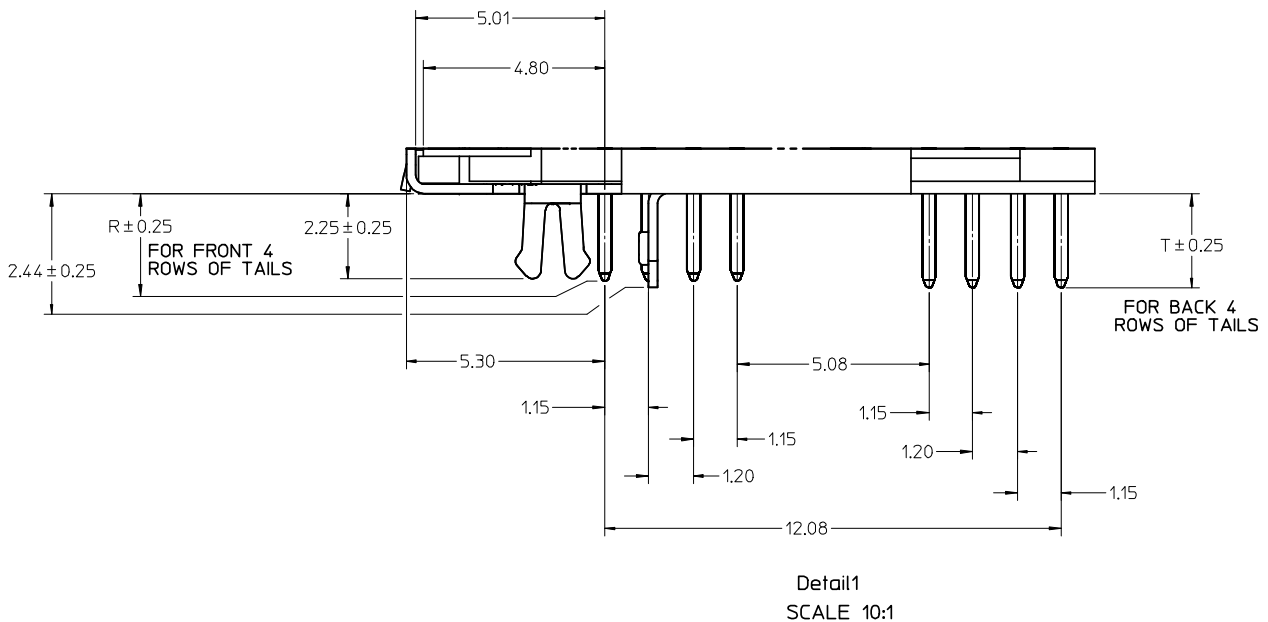
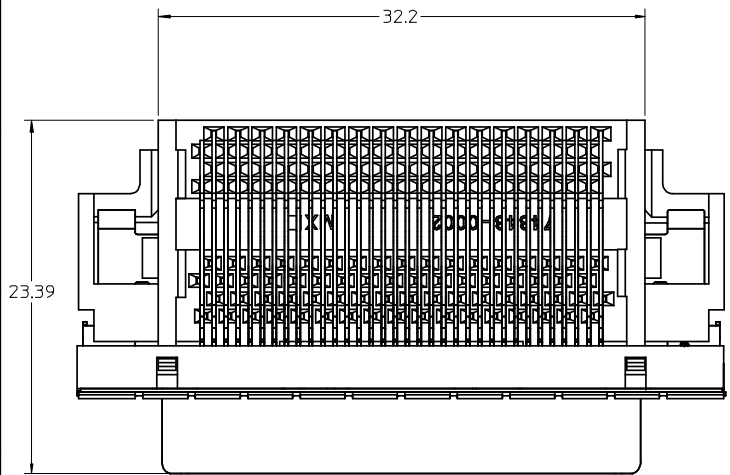
PRESS FIT FORKLOCK SHOWN (VERSION 4)



WITH COVER OPTION



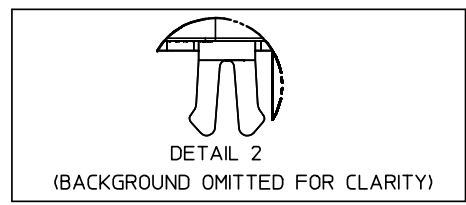
| CLARIFY DIMENSIONS EC NO: UCP2008-1553 DRWN:BBARKER 2008/02/01 CHKD:DMORGAN 2008/02/07 APPR:SMILLER 2008/02/08 | QUALITY SYMBOLS ▽ = 0 ▽C = 0 | GENERAL TOLERANCES (UNLESS SPECIFIED) <table border="1"> <thead> <tr> <th></th> <th>mm</th> <th>INCH</th> </tr> </thead> <tbody> <tr> <td>4 PLACES</td> <td>± ---</td> <td>± ---</td> </tr> <tr> <td>3 PLACES</td> <td>± ---</td> <td>± ---</td> </tr> <tr> <td>2 PLACES</td> <td>± 0.13</td> <td>± ---</td> </tr> <tr> <td>1 PLACE</td> <td>± 0.25</td> <td>± ---</td> </tr> </tbody> </table> | | mm | INCH | 4 PLACES | ± --- | ± --- | 3 PLACES | ± --- | ± --- | 2 PLACES | ± 0.13 | ± --- | 1 PLACE | ± 0.25 | ± --- | SCALE 3:1 DESIGN UNITS METRIC DIMENSION STYLE MM ONLY | THIRD ANGLE PROJECTION REVISIONS DATE 05.08.2001 DATE 05.08.2001 | REVISE ON CAD ONLY TITLE VHCI STACKED ASSEMBLY |
|--|---|--|---|----|------|----------|-------|-------|----------|-------|-------|----------|--------|-------|---------|--------|-------|---|---|---|
| | | mm | INCH | | | | | | | | | | | | | | | | | |
| | 4 PLACES | ± --- | ± --- | | | | | | | | | | | | | | | | | |
| | 3 PLACES | ± --- | ± --- | | | | | | | | | | | | | | | | | |
| 2 PLACES | ± 0.13 | ± --- | | | | | | | | | | | | | | | | | | |
| 1 PLACE | ± 0.25 | ± --- | | | | | | | | | | | | | | | | | | |
| DRAFT WHERE APPLICABLE MUST REMAIN WITHIN DIMENSIONS | APPROVED BY MBANAKIS DATE 05.08.2001 | MOLEX INCORPORATED MATERIAL NO. SEE TABLE DOCUMENT NO. SD-74337-014 SHEET NO. 1 OF 4 | THIS DRAWING CONTAINS INFORMATION THAT IS PROPRIETARY TO MOLEX INCORPORATED AND SHOULD NOT BE USED WITHOUT WRITTEN PERMISSION | | | | | | | | | | | | | | | | | |



| | | | | | | | | |
|--|----------|------------------------------------|---------------------------------------|--|-------------------------|---|------------------------|--------------------|
| CLARIFY DIMENSIONS EC NO: UCP2008-1553 DRWN:BBARKER 2008/02/01 CHKD:DMORGAN 2008/02/07 APPR:SMILLER 2008/02/08 | | QUALITY SYMBOLS ▽ = 0 ▽C = 0 | GENERAL TOLERANCES (UNLESS SPECIFIED) | | SCALE 4:1 | DESIGN UNITS METRIC | THIRD ANGLE PROJECTION | REVISE ON CAD ONLY |
| | | | mm | INCH | DIMENSION STYLE MM ONLY | | | |
| REV | 4 PLACES | ± --- | ± --- | DRAWN BY SSAMPSON | DATE 05.08.2001 | TITLE VHCI STACKED ASSEMBLY | | |
| | 3 PLACES | ± --- | ± --- | CHECKED BY MBANAKIS | DATE 05.08.2001 | | | |
| | 2 PLACES | ± 0.13 | ± --- | APPROVED BY DATE MBANAKIS 05.08.2001 | | MATERIAL NO. SEE TABLE DOCUMENT NO. SD-74337-014 SHEET NO. 2 OF 4 | | |
| | 1 PLACE | ± 0.25 | ± --- | DRAFT WHERE APPLICABLE MUST REMAIN WITHIN DIMENSIONS | | | | |

THIS DRAWING CONTAINS INFORMATION THAT IS PROPRIETARY TO MOLEX INCORPORATED AND SHOULD NOT BE USED WITHOUT WRITTEN PERMISSION

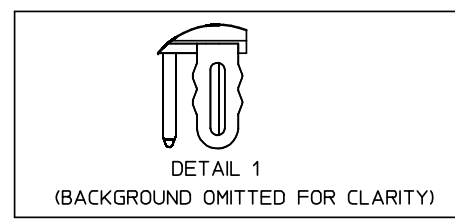
VERSION 1 PART NUMBERS



BOARD RETENTION: SNAP FIT

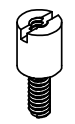
| PCB THICKNESS | COVER | R DIM. | T DIM. | INCLUDES LOOSE PACKED SCREWLOCKS 71433-0002 SEE DRAWING SD-71433-005 | GROUNDING TABS | PART NUMBER |
|---------------|-------|--------|--------|--|----------------|-------------|
| 1.60±0.16 | YES | 2.30 | 2.48 | NO | YES | 74337-0011 |
| 1.60±0.16 | YES | 2.08 | | NO | YES | 74337-0012 |
| 1.60±0.16 | NO | 2.30 | 2.48 | NO | YES | 74337-0015 |
| 1.60±0.16 | NO | 2.08 | | NO | YES | 74337-0016 |
| 1.60±0.16 | YES | 2.30 | 2.48 | YES | YES | 74337-0037 |
| 1.60±0.16 | YES | 2.08 | | YES | YES | 74337-0038 |
| 1.60±0.16 | NO | 2.30 | 2.48 | YES | YES | 74337-0039 |
| 1.60±0.16 | NO | 2.08 | | YES | YES | 74337-0040 |
| 2.36±0.16 | YES | 3.44 | 3.62 | NO | YES | 74337-0070 |
| 2.36±0.16 | NO | 3.44 | 3.62 | NO | YES | 74337-0071 |
| 2.36±0.16 | YES | 3.44 | 3.62 | YES | YES | 74337-0072 |
| 2.36±0.16 | NO | 3.44 | 3.62 | YES | YES | 74337-0073 |
| 1.60±0.16 | YES | 2.08 | | INSTALLED ON PART | YES | 74337-1038 |

VERSION 4 PART NUMBERS



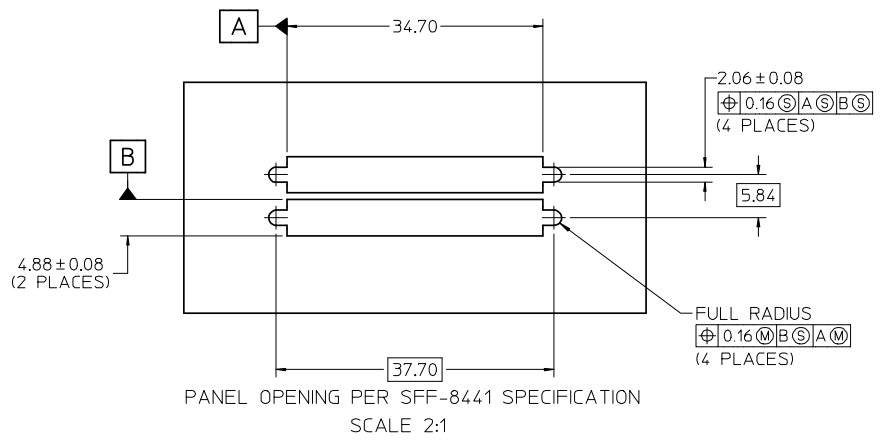
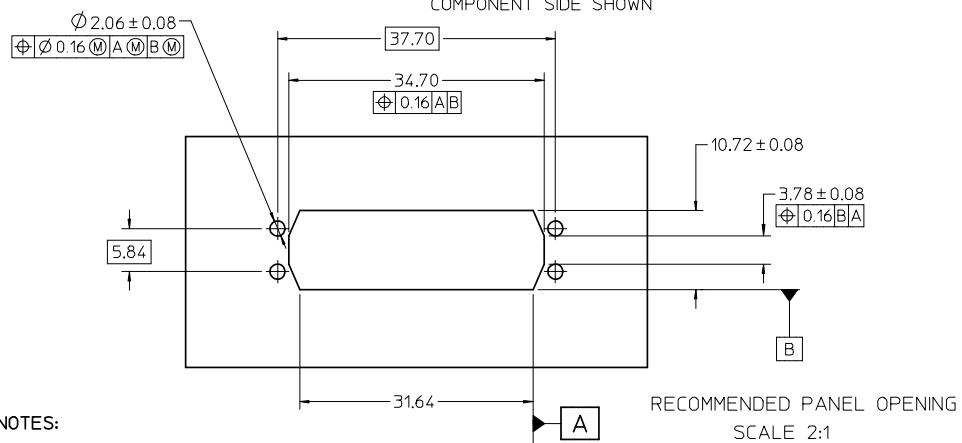
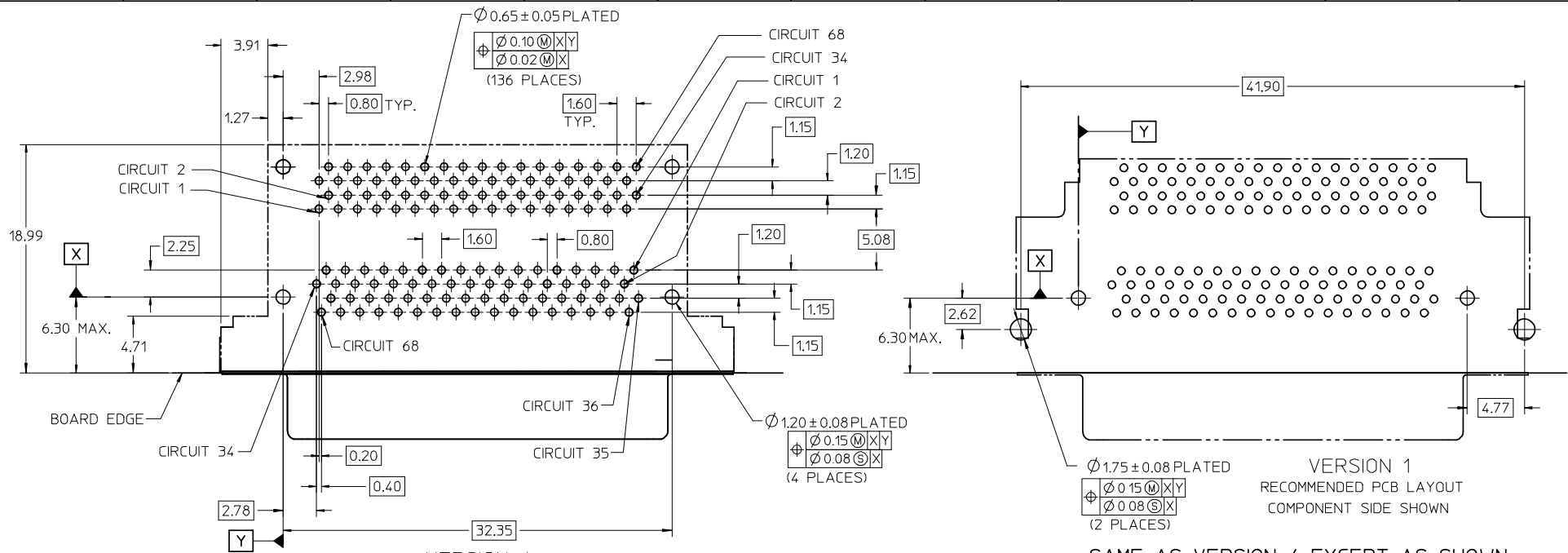
BOARD RETENTION: PRESS FIT

| PCB THICKNESS | COVER | R DIM. | T DIM. | INCLUDES LOOSE PACKED SCREWLOCKS 71433-0002 SEE DRAWING SD-71433-005 | GROUNDING TABS | PART NUMBER |
|---------------|-------|--------|--------|--|----------------|-------------|
| 1.60±0.16 | YES | 2.30 | 2.48 | NO | YES | 74337-0050 |
| 1.60±0.16 | YES | 2.08 | | NO | NO | 74337-0051 |
| 1.60±0.16 | NO | 2.30 | 2.48 | NO | YES | 74337-0060 |
| 1.60±0.16 | NO | 2.08 | | NO | YES | 74337-0061 |
| 1.60±0.16 | YES | 2.08 | | NO | YES | 74337-0066 |
| 1.60±0.16 | YES | 2.30 | 2.48 | YES | YES | 74337-0053 |
| 1.60±0.16 | YES | 2.08 | | YES | YES | 74337-0054 |
| 1.60±0.16 | NO | 2.30 | 2.48 | YES | YES | 74337-0063 |
| 1.60±0.16 | NO | 2.08 | | YES | YES | 74337-0064 |
| 2.36±0.16 | YES | 3.44 | 3.62 | NO | YES | 74337-0052 |
| 2.36±0.16 | NO | 3.44 | 3.62 | NO | YES | 74337-0062 |
| 2.36±0.16 | YES | 3.44 | 3.62 | YES | YES | 74337-0055 |
| 2.36±0.16 | NO | 3.44 | 3.62 | YES | YES | 74337-0065 |
| 1.60±0.16 | YES | 2.08 | | INSTALLED ON PART | YES | 74337-1054 |



OPTIONAL SCREWLOCK
71433-0002

| | | | | | | | |
|---|-----------------|--|---|-------------------------|------------------------|------------------------------|-----------------|
| CLARIFY DIMENSIONS EC NO: UCP2008-1553 DRWN:BBARKER 2008/02/01 CHKD:DMORGAN 2008/02/07 APPR: SMILLER 2008/02/08 | QUALITY SYMBOLS | GENERAL TOLERANCES (UNLESS SPECIFIED) | SCALE 3:1 | DESIGN UNITS METRIC | THIRD ANGLE PROJECTION | REVISE ON CAD ONLY | |
| | ▽ 0 ∇ 0 | mm | INCH | DIMENSION STYLE MM ONLY | | TITLE VHDCI STACKED ASSEMBLY | |
| | | 4 PLACES ± --- | ± --- | DRAWN BY SSAMPSON | DATE 05.08.2001 | | |
| | R | DESCRIPTION | ANGULAR ± 1 ° | 1 PLACE ± 0.25 | ± --- | CHECKED BY MBANAKIS | DATE 05.08.2001 |
| REV | | DRAFT WHERE APPLICABLE MUST REMAIN WITHIN DIMENSIONS | 2 PLACES ± 0.13 | ± --- | APPROVED BY MBANAKIS | DATE 05.08.2001 | |
| | | | THIS DRAWING CONTAINS INFORMATION THAT IS PROPRIETARY TO MOLEX INCORPORATED AND SHOULD NOT BE USED WITHOUT WRITTEN PERMISSION | | MATERIAL NO. SEE TABLE | DOCUMENT NO. SD-74337-014 | |
| | | | | | SHEET NO. 3 OF 4 | | |



NOTES:

- FOR FULL MATE WITH PLUG, PANEL THICKNESS SHOULD NOT EXCEED 1.0mm.
- FUNCTIONAL MATING WITH MOLEX PLUG CAN STILL BE MAINTAINED WITH PANELS AS THICK AS 2.5mm (BUT PLUG AND RECEPTACLE WILL NOT BE FULLY MATED).
- GUIDELINES FOR CHOOSING A MOLEX SCREWLOCK:

| PANEL THICKNESS | RECOMMENDED SCREWLOCK |
|-------------------------------|-----------------------|
| LESS THAN OR EQUAL TO 1.00 MM | 71433-0002 |
| 1.01 TO 2.15 MM | 71433-0010 |

| | | | | | | | |
|--|---|---|--|---|------------------------|--|--------------------------|
| CLARIFY DIMENSIONS EC NO: JCP2008-1553 DRWN:BBARKER 2008/02/01 CHKD:DMORGAN 2008/02/07 APPR:SMILLER 2008/02/08 | QUALITY SYMBOLS | GENERAL TOLERANCES (UNLESS SPECIFIED) | SCALE 3:1 | DESIGN UNITS METRIC | THIRD ANGLE PROJECTION | REVISE ON CAD ONLY | |
| | DESCRIPTION ▽ - 0 ▽ - 0 | 4 PLACES ± --- ± --- 3 PLACES ± --- ± --- 2 PLACES ± 0.13 ± --- 1 PLACE ± 0.25 ± --- | mm INCH DIMENSION STYLE MM ONLY | DIMENSION STYLE MM ONLY DRAWN BY DATE SSAMPSON 05.08.2001 | | TITLE VHDCI STACKED ASSEMBLY | |
| | | ANGULAR ± 1 ° DRAFT WHERE APPLICABLE MUST REMAIN WITHIN DIMENSIONS | CHECKED BY DATE MBANAKIS 05.08.2001 | APPROVED BY DATE MBANAKIS 05.08.2001 | | MATERIAL NO. DOCUMENT NO. SHEET NO. SEE TABLE SD-74337-014 4 OF 4 | |
| | THIS DRAWING CONTAINS INFORMATION THAT IS PROPRIETARY TO MOLEX INCORPORATED AND SHOULD NOT BE USED WITHOUT WRITTEN PERMISSION | | | | | | MOLEX MOLEX INCORPORATED |