

# Spezifikation für Freigabe / specification for release

Kunde / customer :

Artikelnummer / part number : **7499111614A**

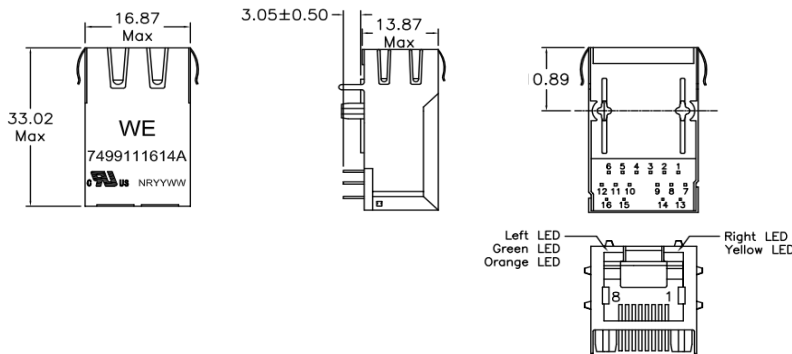


Bezeichnung : **LAN-Übertrager WE-RJ45LAN 10/100/1000 BaseT**

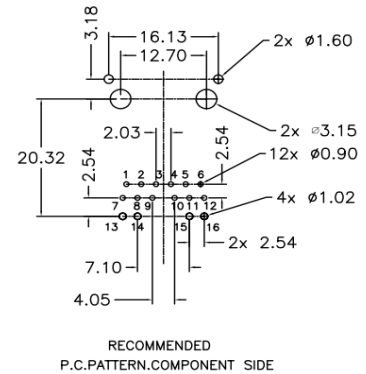
description : **LAN-Transformer WE-RJ45LAN 10/100/1000 BaseT**

DATUM / DATE : 2012-08-30

## A Mechanische Abmessungen / dimensions :



## B Lötpad / soldering spec. :



## C Elektrische Eigenschaften / electrical properties :

Eigenschaften / properties	Testbedingungen / test conditions		Wert / value	Einheit / unit	tol.
Induktivität / Inductance	100kHz / 100mV @ 8mA DC-Bias	OCL	350	µH	min.
Übersetzungsverhältnis / Turns ratio	100kHz / 100mV	TR	1 : 1	Tx	3%
			1 : 1	Rx	
Insertion Loss	1-100MHz	IL	-1,0	dB	max.
Return Loss	1-10MHz @ 100Ω	RL	-20	dB	min.
	10-30MHz @ 100Ω		-16		
	30-60MHz @ 100Ω		-12		
	60-80MHz @ 100Ω		-10		
Common Mode Rejection	1-500MHz	CMR	-25	dB	min.
Crosstalk	1-30MHz	CT	-40	dB	min.
	30-60MHz		-35		
	60-100MHz		-30		

## D Prüfgeräte / test equipment :

HP4395A

## E Testbedingungen / test conditions :

Luftfeuchtigkeit / humidity: 33%  
Umgebungstemperatur / temperature: +25°C

## F Werkstoffe & Zulassungen / material & approvals :

Basismaterial / base material: Ferrit/ ferrite  
Draht / wire: 4UEW 180°C  
Kontaktmaterial/ contact plating: 100% tin w. nickel underplating 30µ"gold plating on contact area  
Gehäuse / housing: Thermoplastic UL-94V0  
LED: 1,8-2,8 V/ 20mA  
Shield: 50µ" nickel over 0.01" cooper alloy

## G Eigenschaften / general specifications :

Betriebstemp. / operating temperature: 0°C - +70°C  
Hochspannungsprüfung / Hipot test: 1500Vrms 1min.  
Geeignet für 1000BaseT-Anwendungen gemäß IEEE 802.3ab / Compliant with IEEE 802.3ab for 1000BaseT

Datum / date	Unterschrift / signature									
Würth Elektronik										
Geprüft / checked	Kontrolliert / approved									
	<table border="1" style="width: 100%;"> <tr> <td>Mle</td> <td>Revision 01</td> <td>2012-08-30</td> </tr> <tr> <td>Mle</td> <td>Revision 00</td> <td>2011-12-12</td> </tr> <tr> <td>Name</td> <td>Änderung / modification</td> <td>Datum / date</td> </tr> </table>	Mle	Revision 01	2012-08-30	Mle	Revision 00	2011-12-12	Name	Änderung / modification	Datum / date
Mle	Revision 01	2012-08-30								
Mle	Revision 00	2011-12-12								
Name	Änderung / modification	Datum / date								

### Würth Elektronik eiSos GmbH & Co.KG

D-74638 Waldenburg · Max-Eyth-Straße 1 - 3 · Germany · Telefon (+49) (0) 7942 - 945 - 0 · Telefax (+49) (0) 7942 - 945 - 400  
<http://www.we-online.com>

# Spezifikation für Freigabe / specification for release

Kunde / customer :

Artikelnummer / part number : **7499111614A**

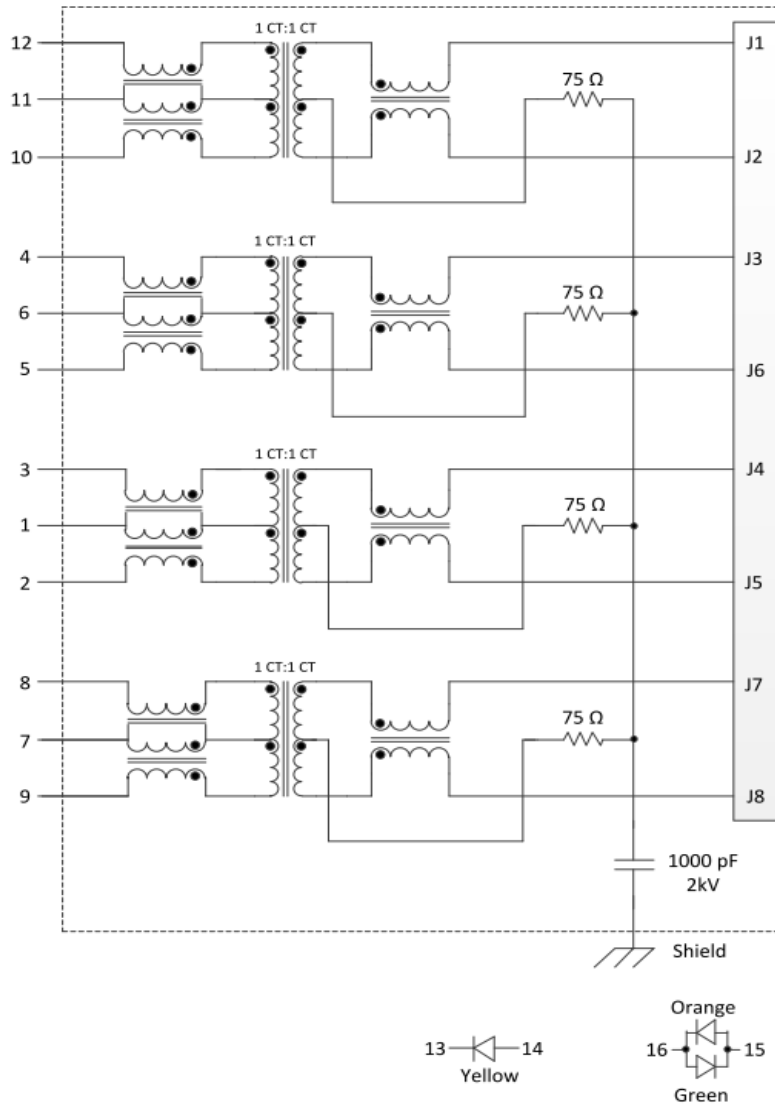
Bezeichnung : **LAN-Übertrager WE-RJ45LAN 10/100/1000 BaseT**

description : **LAN-Transformer WE-RJ45LAN 10/100/1000 BaseT**



DATUM / DATE : 2012-08-30

## H Schaltbild / Schematics :



Freigabe erteilt / general release:	<b>Kunde / customer</b>	0	0	1900-01-00
.....	.....			
Datum / date	Unterschrift / signature			
	<b>Würth Elektronik</b>			
.....	.....			
Geprüft / checked	Kontrolliert / approved	Mle	Revision 01	2012-08-30
		Mle	Revision 00	2011-12-12
		Name	Änderung / modification	Datum / date

### Würth Elektronik eiSos GmbH & Co.KG

D-74638 Waldenburg · Max-Eyth-Straße 1 - 3 · Germany · Telefon (+49) (0) 7942 - 945 - 0 · Telefax (+49) (0) 7942 - 945 - 400  
<http://www.we-online.com>

# Spezifikation für Freigabe / specification for release

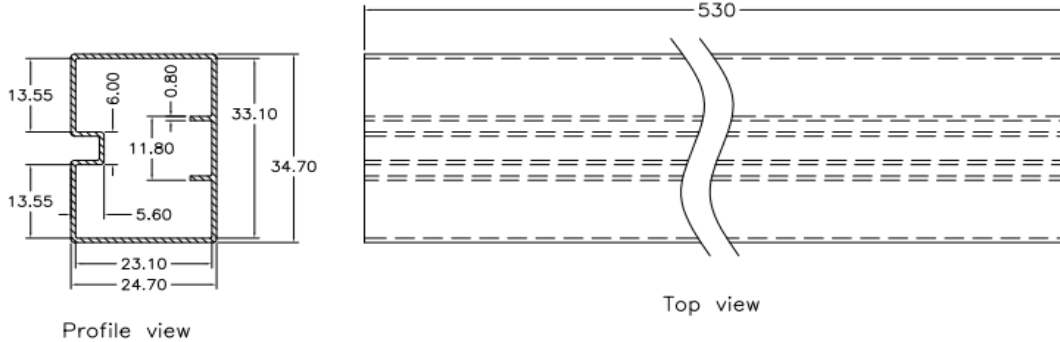
Kunde / customer :  
 Artikelnummer / part number : **7499111614A**  
 Bezeichnung : **LAN-Übertrager WE-RJ45LAN 10/100/1000 BaseT**  
 description : **LAN-Transformer WE-RJ45LAN 10/100/1000 BaseT**



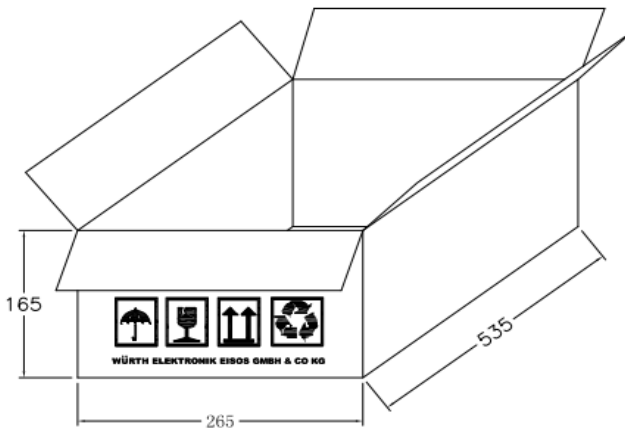
DATUM / DATE : 2012-08-30

## I Rollenspezifikation / tape and reel specification :

Tube



Carton



**Package Quantity:**

tube= 28pcs  
 carton= 1176pcs

**dimensions in mm**

Freigabe erteilt / general release:	<b>Kunde / customer</b>	0	0	1900-01-00
.....	.....			
Datum / date	<b>Unterschrift / signature</b>			
	<b>Würth Elektronik</b>			
.....	.....			
Geprüft / checked	<b>Kontrolliert / approved</b>	Mle	Revision 01	2012-08-30
		Mle	Revision 00	2011-12-12
		Name	<b>Änderung / modification</b>	Datum / date

This electronic component has been designed and developed for usage in general electronic equipment. Before incorporating this component into any equipment where higher safety and reliability is especially required or if there is the possibility of direct damage or injury to human body, for example in the range of aerospace, aviation, nuclear control, submarine, transportation, (automotive control, train control, ship control), transportation signal, disaster prevention, medical, public information network etc, Würth Elektronik eiSos GmbH must be informed before the design-in stage. In addition, sufficient reliability evaluation checks for safety must be performed on every electronic component which is used in electrical circuits that require high safety and reliability functions or performance.

**Würth Elektronik eiSos GmbH & Co.KG**

D-74638 Waldenburg · Max-Eyth-Straße 1 - 3 · Germany · Telefon (+49) (0) 7942 - 945 - 0 · Telefax (+49) (0) 7942 - 945 - 400  
<http://www.we-online.com>