

PLEASE CHECK WWW.MOLEX.COM FOR LATEST PART INFORMATION

Part Number: [0885237300](#)
Status: **Active**
Overview: [fiber optic product families](#)
Description: MT-RJ(F)-to-SC, Multimode, 62.5/125µm, Duplex, 1.60mm (.063"), Standard Fiber Optic Cable Assembly, 1.0m (3.28')

Documents:

[Drawing \(PDF\)](#) [RoHS Certificate of Compliance \(PDF\)](#)

General

Product Family	Fiber Optic Assemblies
Series	88523
Connector to Connector	MT-RJ-to-SC
Mode	Multimode
Overview	fiber optic product families
Product Name	MT-RJ, SC

Physical

Cable Length	1.0m (3.28')
Cable Size	1.60mm (.063")
Fiber (Core/Cladding)	62.5/125µm
Single Ended	No
Wire/Cable Type	Duplex

Material Info

Reference - Drawing Numbers

Sales Drawing	SD-88523-078
---------------	--------------

EU RoHS
ELV and RoHS
Compliant
REACH SVHC
Not Reviewed
Halogen-Free
Status
Not Reviewed

China RoHS

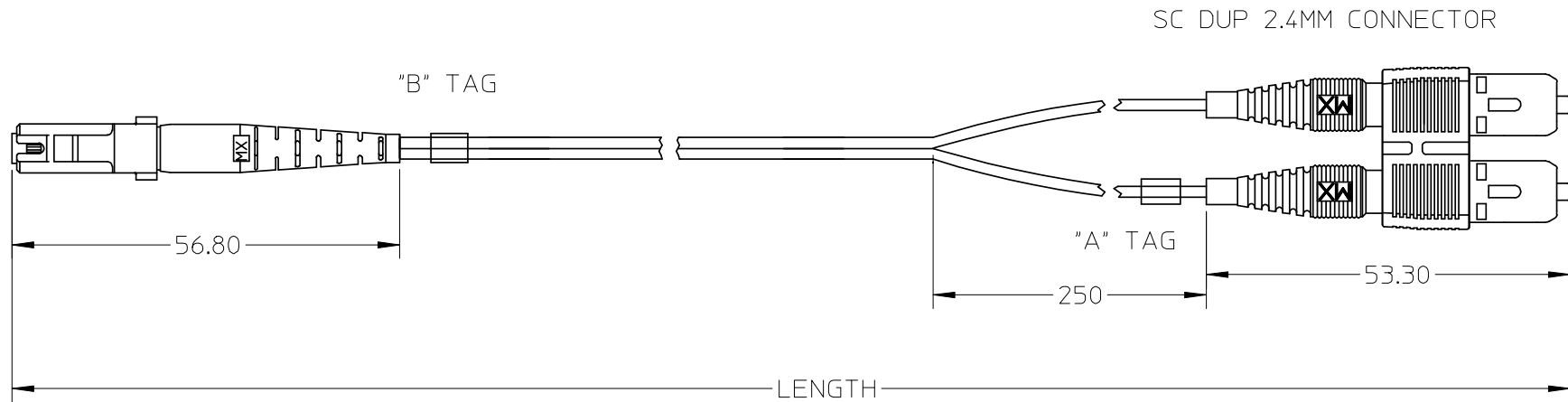


Need more information on product environmental compliance?

Email productcompliance@molex.com
For a multiple part number RoHS Certificate of Compliance, [click here](#)

Please visit the [Contact Us](#) section for any non-product compliance questions.

Search Parts in this Series
[88523Series](#)



885237323	MTRJ(F)-SC DUP MM 62.5/125 1.6MM 200M	200000(+1000/-0)
885237322	MTRJ(F)-SC DUP MM 62.5/125 1.6MM 80M	80000(+1000/-0)
885237321	MTRJ(F)-SC DUP MM 62.5/125 1.6MM 60M	60000(+1000/-0)
885237320	MTRJ(F)-SC DUP MM 62.5/125 1.6MM 40M	40000(+500/-0)
885237319	MTRJ(F)-SC DUP MM 62.5/125 1.6MM 20M	20000(+200/-0)
885237306	MTRJ(F)-SC DUP MM 62.5/125 1.6MM 10M	10000(+200/-0)
885237305	MTRJ(F)-SC DUP MM 62.5/125 1.6MM 15M	15000(+200/-0)
885237304	MTRJ(F)-SC DUP MM 62.5/125 1.6MM 5M	5000(+200/-0)
885237303	MTRJ(F)-SC DUP MM 62.5/125 1.6MM 4M	4000(+200/-0)
885237302	MTRJ(F)-SC DUP MM 62.5/125 1.6MM 3M	3000(+200/-0)
885237301	MTRJ(F)-SC DUP MM 62.5/125 1.6MM 2M	2000(+200/-0)
885237300	MTRJ(F)-SC DUP MM 62.5/125 1.6MM 1M	1000(+100/-0)
MX P/N	DESCRIPTION	LENGTH

NOTES:

- DUST CAPS ARE NOT SHOWN
- PER CHANNEL @ 850nm
MTRJ:
IL ≤ 0.7dB (IF L < 30M)
IL ≤ 0.7 + 0.003 X L dB (IF L ≥ 30M)
SC:
IL ≤ 0.5dB (IF L < 30dB)
IL ≤ 0.5 + 0.003 X L dB (IF L ≥ 30M)

ENTER DESCRIPTION EC NO: DG2008-0161 DRWN: XPCHEN CHKD: APPR: JOWANG	2008/07/15 2008/07/15 2008/07/18	DESCRIPTION REV	QUALITY SYMBOLS ▽=0 ▽=0	GENERAL TOLERANCES (UNLESS SPECIFIED)		DIMENSION STYLE MM ONLY		SCALE ---	DESIGN UNITS METRIC	THIRD ANGLE PROJECTION		
				mm	INCH	DRAWN BY XP	DATE 2008/06/23	TITLE MTRJ(F)-SC DUP MM 62.5/125 1.6MM				
B				4 PLACES	± ---	± ---	CHECKED BY LISA	DATE 2008/06/23	APPROVED BY JOHNNY			
				3 PLACES	± ---	± ---	DATE 2008/06/23					
				2 PLACES	± ---	± ---	MATERIAL NO. SEE TABLE					
				1 PLACE	± ---	± ---	DOCUMENT NO. SD-88523-078					
ANGULAR ± ---°				DRAFT WHERE APPLICABLE MUST REMAIN WITHIN DIMENSIONS				SHEET NO. 1 OF 1				
THIS DRAWING CONTAINS INFORMATION THAT IS PROPRIETARY TO MOLEX INCORPORATED AND SHOULD NOT BE USED WITHOUT WRITTEN PERMISSION												