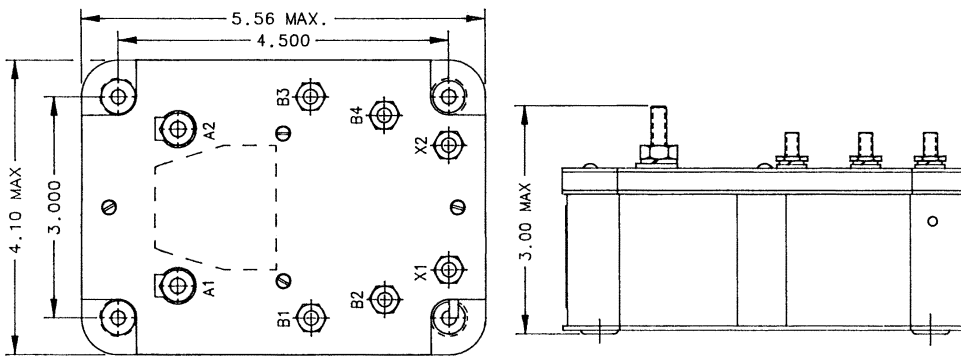
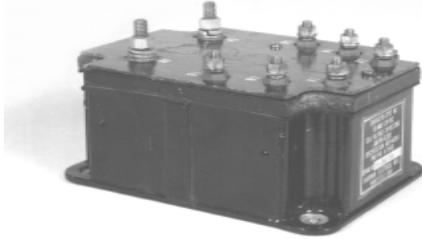


A-754JD SPST N.O., 150 Amps, 120 VDC

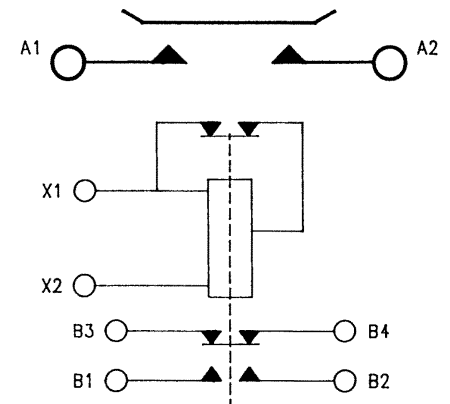


Dimensions for this product are expressed in inches. Multiply values by 25.4 for millimeters.

Features:

- SPST N.O. Main Contacts
- Magnetic Blowout
- Economizing Coil
- 120 VDC
- 150 Amps
- High Reliability
- Meets many requirements of MIL-R-6106

CONTACTOR CONFIGURATION



Notes:

PRODUCT SPECIFICATIONS	
Construction	Gasket Sealed, Vented
Main Contacts:	
Configuration	SPST N.O.
Voltage (Nominal)	120 VDC
Current (Resistive)	150 Amps
Auxiliary Contacts	
Configuration	1 FORM Z
Voltage (Nominal)	28 VDC
Current	
Resistive	5 Amps
Inductive	3 Amps
Coil Data:	
Duty Cycle	Continuous (Economizing)
Voltage (Nominal)	28 VDC
Pick-Up Voltage	13 VDC Maximum
Drop-Out Voltage	1.5 - 5 VDC
Coil Current @28 VDC & +25°C	
In-Rush	3.4 Amps
Hold	0.34 Amp
Operating Temperature	-55°C to +71°C
Life:	
Electrical	50,000 Cycles
Mechanical	100,000 Cycles
Weight Maximum	3.0 Lbs.

For factory-direct application assistance, contact the HARTMAN product team at (419) 521-9500, Fax (419) 526-2749.

© 2004 by Tyco Electronics Corporation. All Rights Reserved. HARTMAN and TYCO are trademarks.