

1

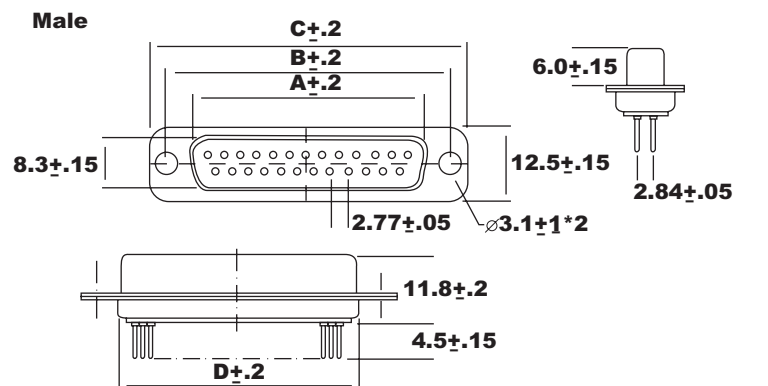
2

3

4

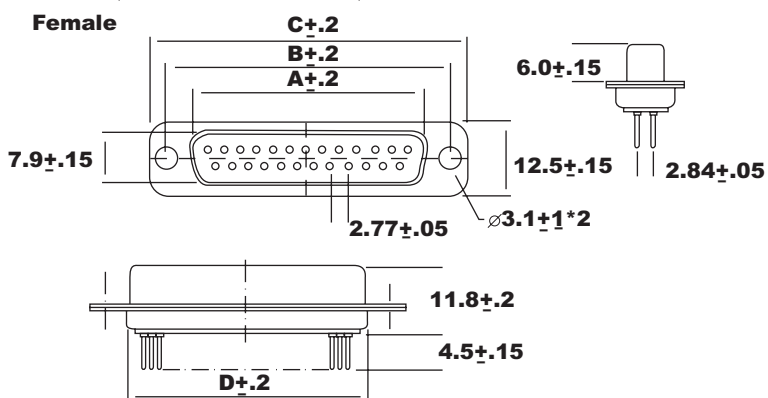
A

A



B

B



C

C

Features and Options:

- Available in 9, 15, 25, 37 and 50 positions
- Male and Female Versions
- Available with hardware options such as threaded inserts and hex stands-offs

Specification:

Materials:

Shell: Tin Plated Steel
 Insulator: PBT Thermo Plastic, Black Color, 30% Glass Filled
 Self-Extinguishing, UL94V-0 rated
 Contact Material: Pin: Brass, Socket: Phosphor Bronze
 Contact Plating: Gold over Nickel

Electrical:

Current Rating: 5.0 Amps
 Dielectric Strength: 1000 VAC min.
 Insulation Resistance: 5000m ohm min
 Operating Temperature Range: -55°C~ +125°C

Dimensions

Male

# of Pins	A	B	C	D
9	16.92	25.00	30.80	19.20
	.666	.984	1.21	.756
15	25.25	33.30	39.20	27.70
	.994	1.31	1.54	1.09
25	38.96	47.10	53.10	41.10
	1.53	1.85	2.09	1.62
37	55.42	63.50	69.40	57.30
	2.18	2.50	2.73	2.26
50	52.81	61.00	67.00	55.10
	2.08	2.40	2.63	2.17

Female

9	16.30	25.00	30.80	19.20
	.642	.984	1.21	.756
15	24.60	33.30	39.20	27.70
	.969	1.31	1.54	1.09
25	38.30	47.10	53.10	41.10
	1.51	1.85	2.09	1.62
37	54.80	63.50	69.40	57.30
	2.16	2.50	2.73	2.26
50	52.20	61.00	67.00	55.10
	2.06	2.40	2.63	2.17

Description

Name :
A-DX09PP-TL-B
 D-Sub Connector Solder Tail



THIS DRAWING IS UNPUBLISHED

© Copyright 2005 by Assmann Electronic Components All International Rights Reserved

This drawing is a controlled document for Assmann Electronics, Inc. It is subject to change and the controlling engineering organization should be contacted for the latest revision.

1

2

3

4

D

D