

FC SERIES PT TYPE ISOLATER

DATA SHEET

PTF

The FC series PT type isolator converts an input signal (1 to 5V DC or 4 to 20mA DC) into an isolated output signal. Its structure is plug-in style.

SPECIFICATIONS

INPUT SPECIFICATION

Input signal:	1 point		
	Input type	Voltage	Current
	Input signal	1 to 5V DC	4 to 20mA DC
	Input resistance	1MΩ or over	250Ω

OUTPUT SPECIFICATION

Output signal:	1 point		
	Output type	Voltage	Current
	Output signal	1 to 5V DC	4 to 20mA DC
	Allowable load resistance	15kΩ or over	600Ω or less

POWER SUPPLY

Power supply: 24V DC (20 to 30V DC)
 24V AC, +13%, -10%, (47 to 63Hz)
 100V AC (85 to 132V AC /47 to 63Hz)
 200V AC (187 to 264V AC /47 to 63Hz)
 as specified.

Power consumption:
 Approx. 2W (at DC power)
 Approx. 6VA (at AC power)

OPERATION CONDITION

Ambient temperature: 0 to 50°C
 Ambient humidity: Less than 90%RH (no condensation)
 Outline dimension (HxWxD): 96 x 52 x 130mm
 Mass: Approx. 300g
 Housing: Plastic housing (color: black)
 Mounting method: Panel mounting or DIN rail mounting

CHARACTERISTICS

Accuracy: Less than ±0.1% of full span
 Response time: Less than 0.1 sec. (90% response)
 Dielectric strength: 1500V AC, 1 min.
 (Input - Output - Power- Ground)
 Insulation resistance: 500V DC, 100MΩ or over
 (Input - Output - Power)

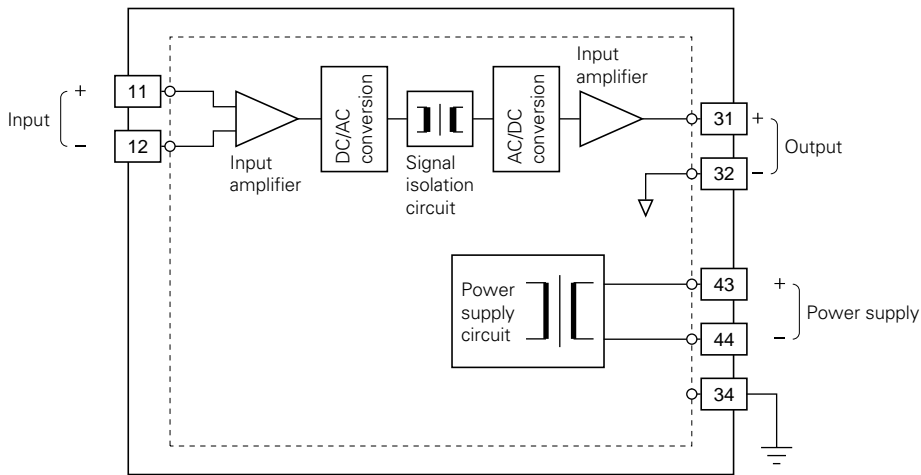


Ambient temperature effect:
 Less than ±0.1% of full span/10°C
 Power regulation effect:
 Less than ±0.1% of full span

CODE SYMBOLS

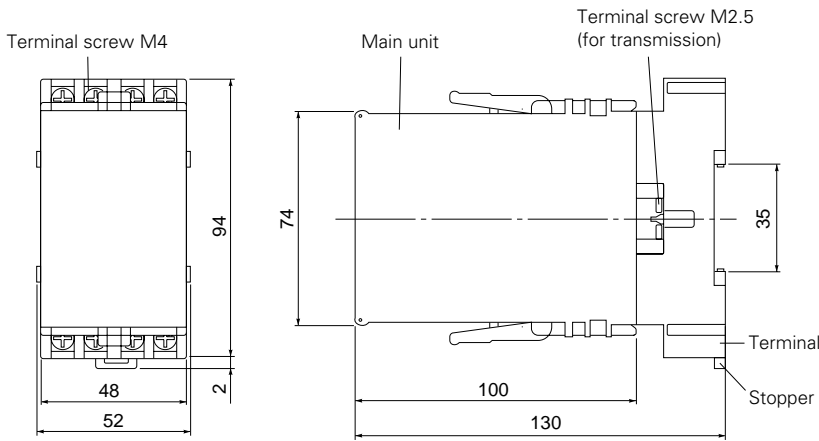
1	2	3	4	5	6	7	8	
P	T	F			Y		1	Description
	1							Input signal
	2							1 to 5V DC
								4 to 20mA DC
								Output signals
					V			1 to 5V DC
					A			4 to 20mA DC
								Power supply
							1	24V DC/24V AC (50/60Hz)
							2	100V AC (50/60Hz)
							3	200V AC (50/60Hz)

FUNCTIONAL DIAGRAM

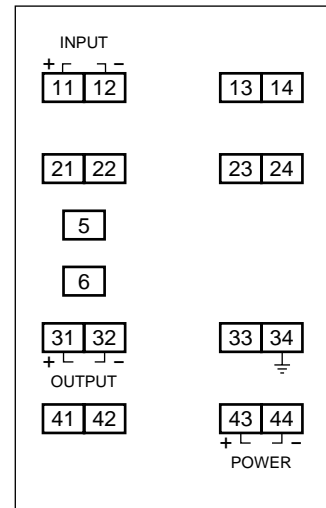


OUTLINE DIAGRAM (Unit: mm)

EXTERNAL CONNECTION DIAGRAM

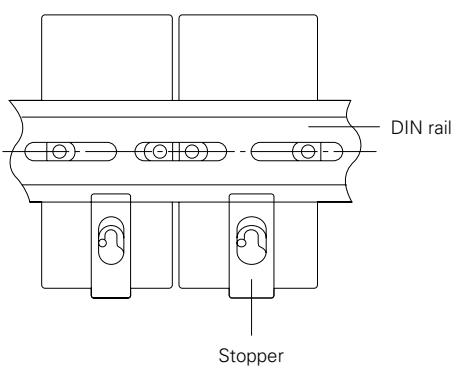
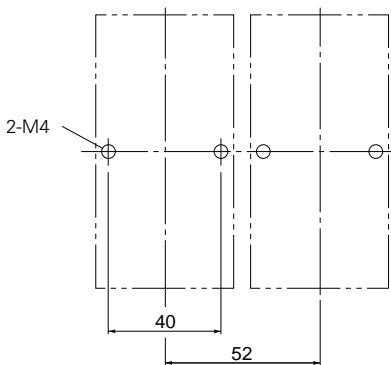


Voltage • Current input



Panel mounting

DIN rail mounting



RANGE OF DELIVERY

Main unit and socket

⚠ Caution on Safety

*Before using this product, be sure to read its instruction manual in advance.

Fuji Electric Systems Co., Ltd.

Head Office

Gate City Ohsaki, East Tower, 11-2, Osaki 1-chome,
Shinagawa-ku, Tokyo 141-0032, Japan
<http://www.fesys.co.jp/eng>

Instrumentation Div.

International Sales Dept.

No.1, Fuji-machi, Hino-city, Tokyo, 191-8502 Japan
Phone: 81-42-585-6201, 6202 Fax: 81-42-585-6187
<http://www.fic-net.jp/eng>

Information in this catalog is subject to change without notice.

Printed in Japan