



**6W Adapter Style Constant Current LED Driver  
PDA006A Wall Plug LED Power Supply**



**Features**

- Low Profile Design
- OVP, IOCP, Over-Load and Short-Circuit Protection
- Power Factor Correction
- Low Cost Fixed Wall Plug
- IP20 Rating
- SELV Compliant
- UL 8750 Compliant
- Very Low Leakage
- Class 2 Output

**Applications**

- Indoor Lighting
- Desk Lighting

**Safety Approvals (PENDING)**

- cUL/UL

**Mechanical Characteristics**

- Length: 66.5mm (in)
- Width: 31mm (in)
- Height: 38mm (in)
- Weight: 40g (1.41oz)

**Output Specifications**

Model	DC Output Voltage			Output Current	Output Power
	Min.	Typ.	Max.		
PDA006A-350S-R	9V	-	17V	350mA	6W
PDA006A-700S-R	5V	-	8.6V	700mA	6W
PDA006A-1A0S-R	4V	-	6V	1000mA	6W

Phihong is not responsible for any error, and reserves the right to make changes without notice. Please visit our website at [www.phihong.com](http://www.phihong.com) for the most up-to-date specifications and contact information.

**INPUT:**

**AC Input Voltage**  
90 to 132VAC

**Nominal AC Input Voltage**  
110 to 120VAC

**Leakage Current**  
<0.25mA at 110VAC and maximum load

**Maximum Input Current**  
≤250mA at full load, 120VAC

**No-Load Power Draw**  
<300mW at 115VAC, 60Hz

**OUTPUT:**

**Total Output Power**  
6W maximum

**Efficiency**  
≥73% at nominal input voltage, full load  
Meets requirements for Level V efficiency marking

**Power Factor**  
≥0.9 at nominal input voltage, full load

**ENVIRONMENTAL:**

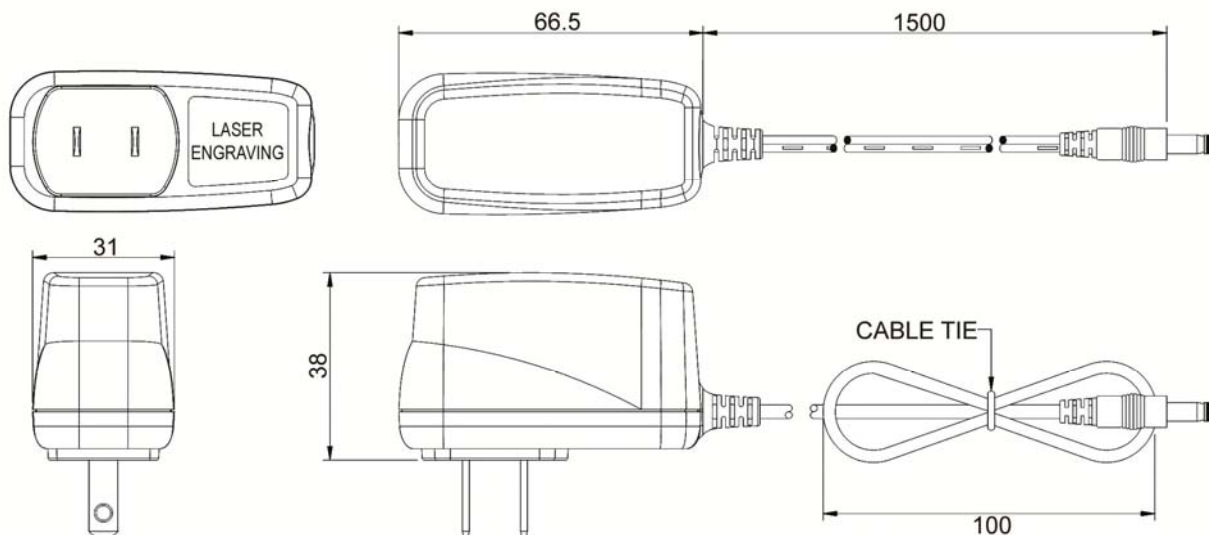
Operating Temperature      0 to +40°C  
Storage Temperature        -40 to +85°C

Operating Humidity         10 to 95%

**Ingression Protection**

IP20; plastic housing

**Dimension Diagram Unit:mm**



**EMC**

FCC Part 15 Class B

**Immunity**

EN61000-4-2  
EN61000-4-4  
EN61000-4-5  
EN61000-4-11

**Isolation Test**

Primary to Secondary: 3000VAC, <10mA, 1 minute

**Insulation Resistance**

Primary to Secondary: 500VDC, >5M ohm, 1 minute

**FEATURES:**

**Input Current Protection**

The input power line will be fused with a 1W/100ohm fuse resistor

**Short Circuit**

Auto restart without damage

**Output Over-Voltage Protection**

Output should not exceed voltage limit, auto shut down

**AC Input**

Fixed Blade (North America)

**DC Output**

2.1mm x 5.5mm x 9.5mm center positive barrel

**Lifespan**

20K Hours minimum at max load