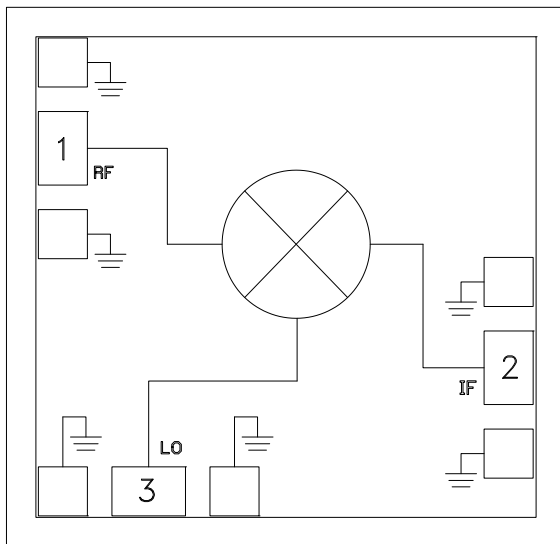


Typical Applications

The HMC1015 is ideal for:

- Point-to-Point Radios
- Point-to-Multi-Point Radios & VSAT
- Test Equipment & Sensors
- Military End-Use

Functional Diagram



Features

- Passive: No DC Bias Required
- High Input IP3: 20 dBm
- High LO/RF Isolation: 45 dB
- High 2LO/IF Isolation: 50 dB
- Wide IF Bandwidth: 16 - 22 GHz
- Upconversion & Downconversion Applications
- Die Size: 1.14 x 1.1 x 0.1 mm

General Description

The HMC1015 is a general purpose triple balanced mixer chip that can be used as a frequency converter with 16 to 22 GHz at the IF port and 26 to 32 GHz at the RF port. This mixer requires no external components or matching circuitry. The HMC1015 provides excellent LO/RF, LO/IF and 2LO/IF isolation due to optimized balun structures. The mixer operates with LO drive levels from +9 dBm to +15 dBm. The HMC1015 wideband mixer exhibits consistent conversion gain and compression across its bandwidth.

Electrical Specifications, $T_A = +25^\circ \text{C}$, LO = 9 GHz, LO = +13 dBm ^[2]

Parameter	Min.	Typ.	Max.	Units
RF Frequency Range		26 - 32		GHz
IF Frequency Range		16- 22		GHz
LO Frequency Range		7 - 11		GHz
Conversion Loss		10	13	dB
LO to RF Isolation ^[1]		45		dB
LO to IF Isolation ^[1]		31		dB
2LO to IF Isolation ^[1]		50		dB
RF to IF Isolation		35		dB
IP3 (Input)		22		dBm
1 dB Gain Compression (Input)		10		dBm

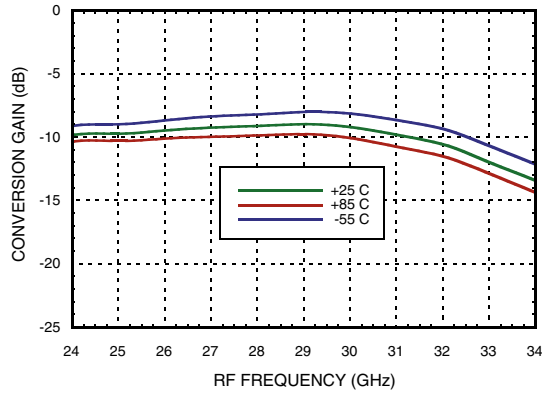
[1] Fixed IF = 17 GHz.

[2] Unless otherwise noted, all measurements performed as an upconverter with LO = 9 GHz.

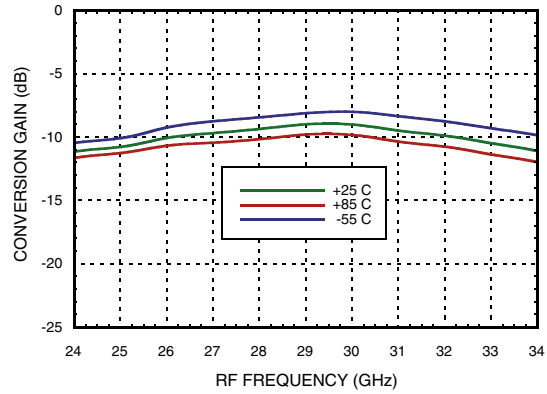


**GaAs MMIC FUNDAMENTAL
MIXER, 26 - 32 GHz**

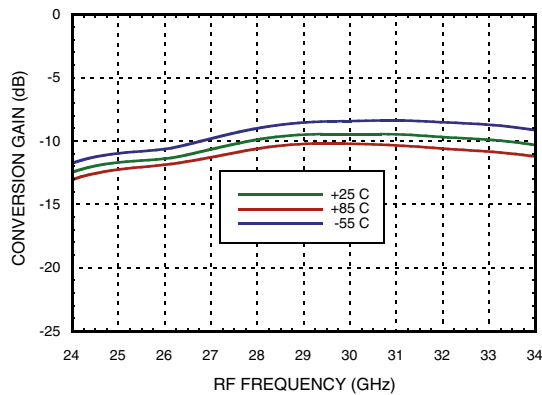
**Conversion Gain vs. Temperature,
Upconverter, LO= 7 GHz**



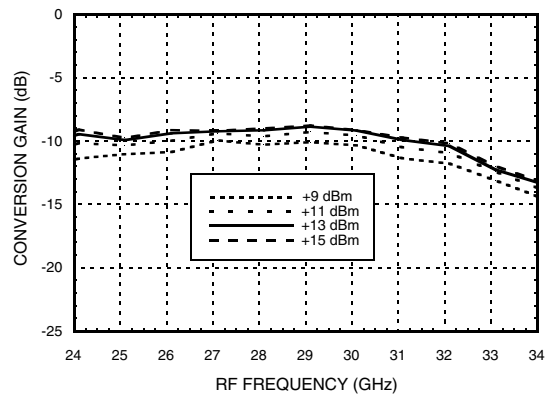
**Conversion Gain vs. Temperature
Upconverter, LO= 9 GHz**



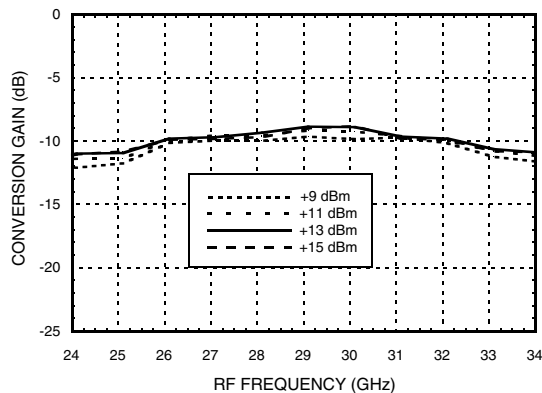
**Conversion Gain vs. Temperature,
Upconverter, LO= 11 GHz**



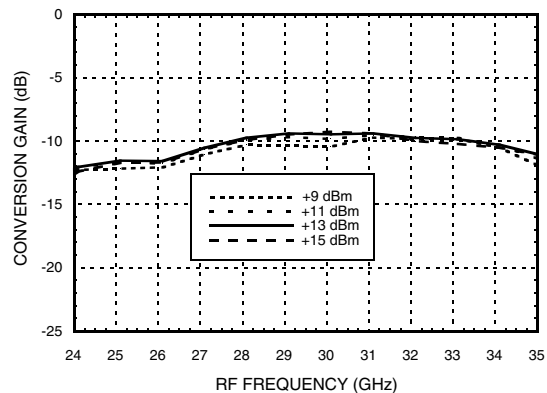
**Conversion Gain vs. LO Power,
Upconverter, LO= 7 GHz**



**Conversion Gain vs. LO Power,
Upconverter, LO= 9 GHz**



**Conversion Gain vs. LO Power,
Upconverter, LO= 11 GHz**



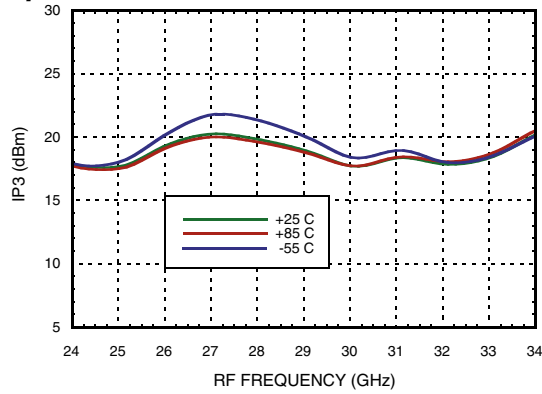
MIXERS - TRIPLE-BALANCED - CHIP



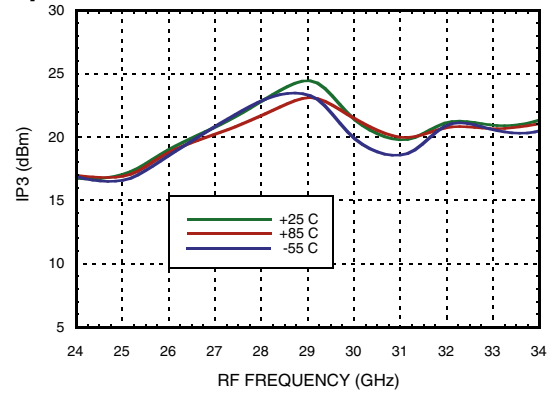
GaAs MMIC FUNDAMENTAL MIXER, 26 - 32 GHz

MIXERS - TRIPLE-BALANCED - CHIP

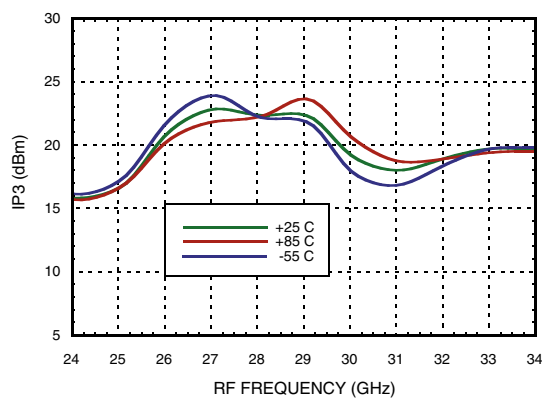
Input IP3 vs. Temperature, Upconverter, LO= 7 GHz



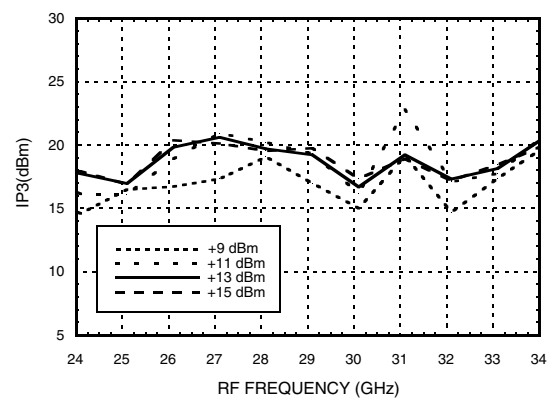
Input IP3 vs. Temperature, Upconverter, LO= 9 GHz



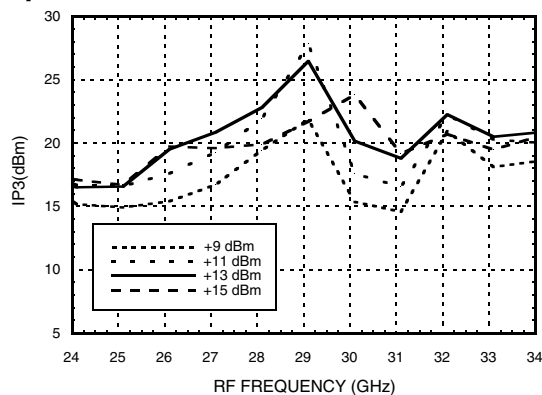
Input IP3 vs. Temperature, Upconverter, LO= 11 GHz



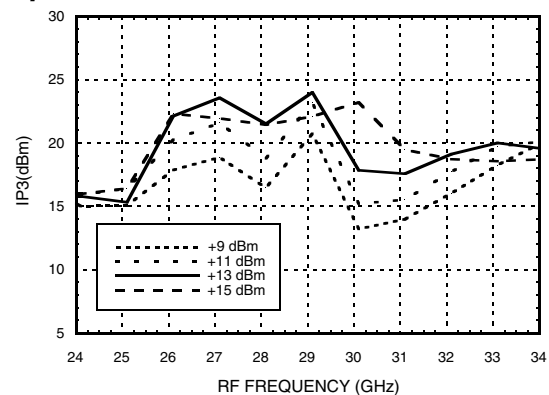
Input IP3 vs. LO Power, Upconverter, LO= 7 GHz



Input IP3 vs. LO Power, Upconverter, LO= 9 GHz



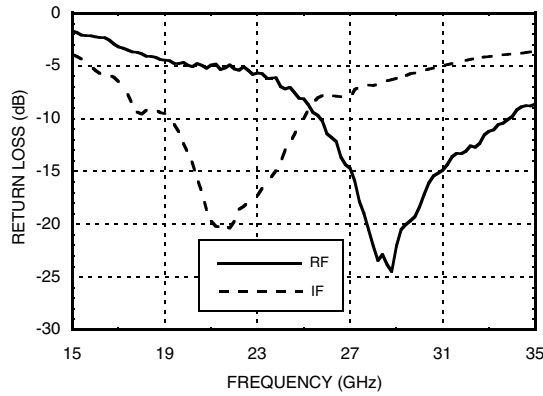
Input IP3 vs. LO Power, Upconverter, LO= 11 GHz



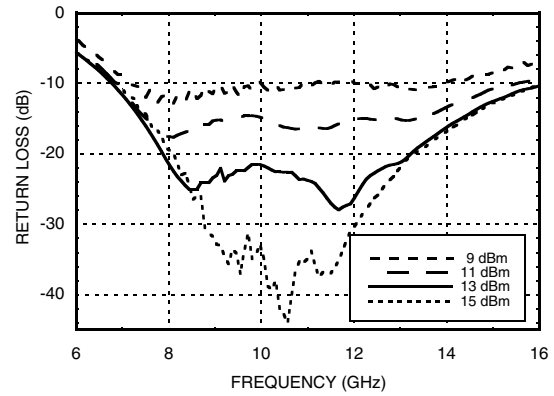


**GaAs MMIC FUNDAMENTAL
MIXER, 26 - 32 GHz**

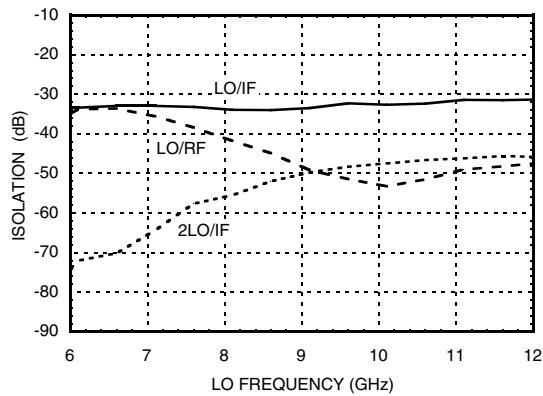
RF and IF Return Loss



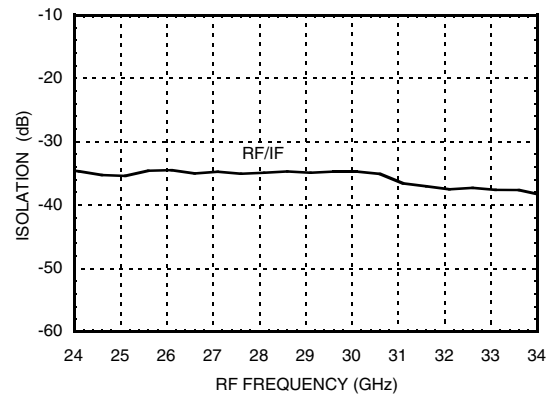
LO Return Loss



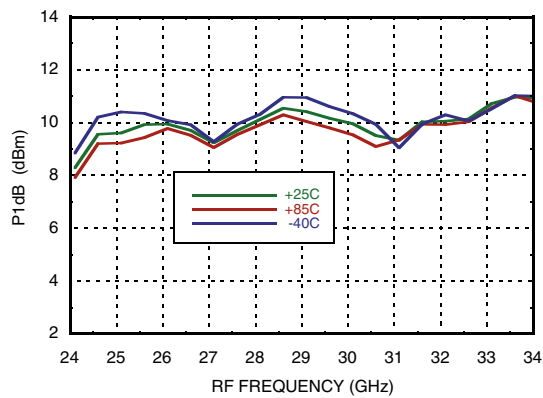
Isolation LO/IF, LO/RF, 2LO/IF



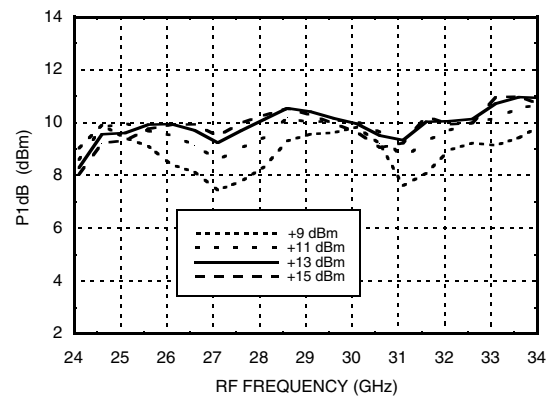
Isolation RF/IF



Input P1dB vs. Temperature @ LO= 9 GHz



Input P1dB vs. LO Power @ LO= 9 GHz





GaAs MMIC FUNDAMENTAL MIXER, 26 - 32 GHz

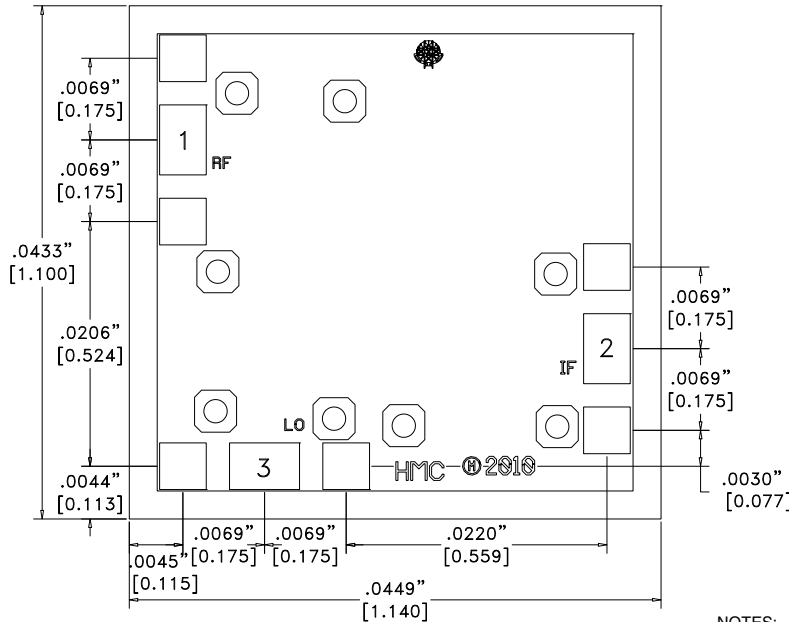
Table 1. Absolute Maximum Ratings

RF / IF Input (LO = +18 dBm)	15.5 dBm
LO Drive	20 dBm
Maximum Junction Temperature	150 °C
Continuous P _{diss} (T _a = 85 °C) (derate 2.5 mW/°C above 85 °C)	79 mW
Thermal Resistance (R _{TH}) (junction to die bottom)	392 °C/W
Operating Temperature	-55°C to +85°C
Storage Temperature	-65°C to 125°C



**ELECTROSTATIC SENSITIVE DEVICE
OBSERVE HANDLING PRECAUTIONS**

Outline Drawing



NOTES:

1. ALL DIMENSIONS ARE IN INCHES [MM].
2. DIE THICKNESS IS 0.004"
3. BOND PADS 1, 2 & 3 are 0.0059" [0.150] X 0.0039" [0.099].
4. BACKSIDE METALLIZATION: GOLD.
5. BOND PAD METALLIZATION: GOLD.
6. BACKSIDE METAL IS GROUND.
7. CONNECTION NOT REQUIRED FOR UNLABELED BOND PADS.
8. OVERALL DIE SIZE ± 0.002

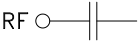
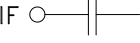
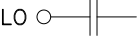
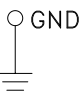
Table 2. Die Packaging Information [1]

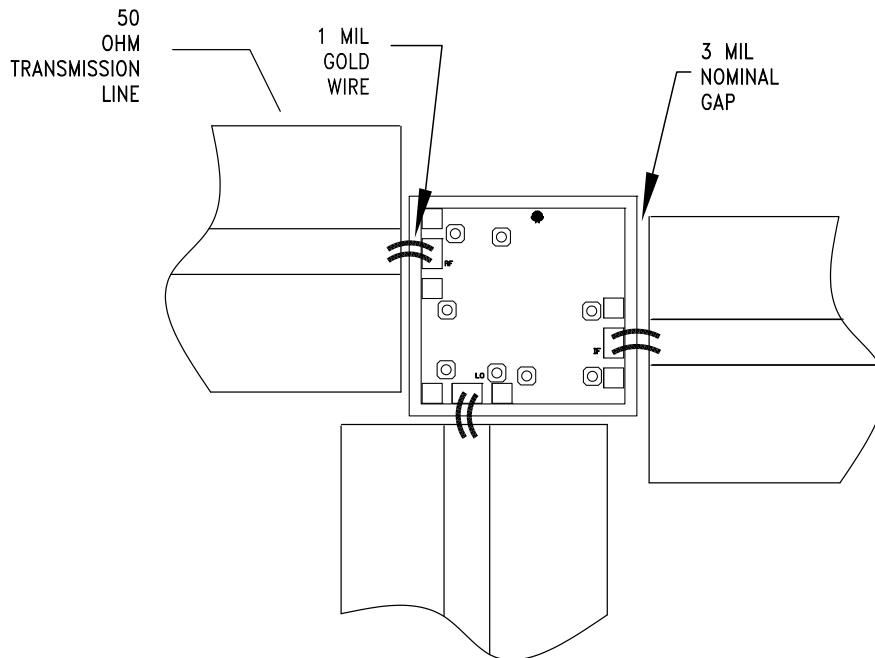
Standard	Alternate
GP-1 (Gel Pack)	[2]

[1] For more information refer to the "Packaging information" Document in the Product Support Section of our website.

[2] For alternate packaging information contact Hittite Microwave Corporation.


**GaAs MMIC FUNDAMENTAL
MIXER, 26 - 32 GHz**
Table 3. Pad Descriptions

Pad Number	Function	Description	Pad Schematic
1	RF	This pad is AC coupled and matched to 50 Ohms.	RF 
2	IF	This pad is AC coupled and matched to 50 Ohms.	IF 
3	LO	This pad is AC coupled and Matched to 50 Ohms.	LO 
Die Bottom	GND	Die bottom must be connected to RF/DC ground	

Assembly Diagram




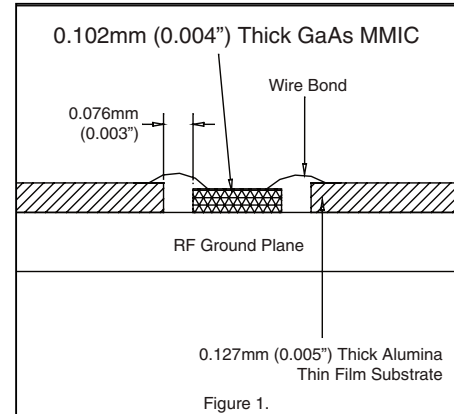
GaAs MMIC FUNDAMENTAL MIXER, 26 - 32 GHz

Mounting & Bonding Techniques for Millimeterwave GaAs MMICs

The die should be attached directly to the ground plane eutectically or with conductive epoxy (see HMC general Handling, Mounting, Bonding Note).

50 Ohm Microstrip transmission lines on 0.127mm (5 mil) thick alumina thin film substrates are recommended for bringing RF to and from the chip (Figure 1). If 0.254mm (10 mil) thick alumina thin film substrates must be used, the die should be raised 0.150mm (6 mils) so that the surface of the die is coplanar with the surface of the substrate. One way to accomplish this is to attach the 0.102mm (4 mil) thick die to a 0.150mm (6 mil) thick molybdenum heat spreader (moly-tab) which is then attached to the ground plane (Figure 2).

Microstrip substrates should be located as close to the die as possible in order to minimize bond wire length. Typical die-to-substrate spacing is 0.076mm to 0.152 mm (3 to 6 mils).



Handling Precautions

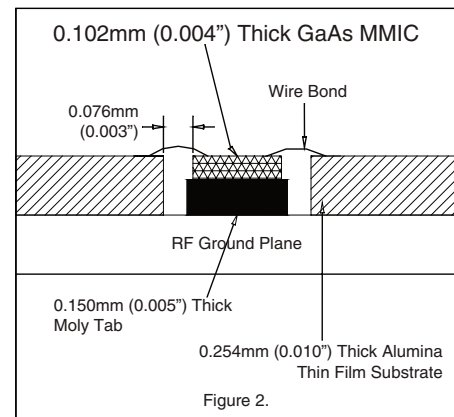
Follow these precautions to avoid permanent damage.

Storage: All bare die are placed in either Waffle or Gel based ESD protective containers, and then sealed in an ESD protective bag for shipment. Once the sealed ESD protective bag has been opened, all die should be stored in a dry nitrogen environment.

Cleanliness: Handle the chips in a clean environment. DO NOT attempt to clean the chip using liquid cleaning systems.

Static Sensitivity: Follow ESD precautions to protect against > ± 250V ESD strikes.

Transients: Suppress instrument and bias supply transients while bias is applied. Use shielded signal and bias cables to minimize inductive pick-up.



General Handling: Handle the chip along the edges with a vacuum collet or with a sharp pair of bent tweezers. The surface of the chip may have fragile air bridges and should not be touched with vacuum collet, tweezers, or fingers.

Mounting

The chip is back-metallized and can be die mounted with AuSn eutectic preforms or with electrically conductive epoxy. The mounting surface should be clean and flat.

Eutectic Die Attach: A 80/20 gold tin preform is recommended with a work surface temperature of 255 °C and a tool temperature of 265 °C. When hot 90/10 nitrogen/hydrogen gas is applied, tool tip temperature should be 290 °C. DO NOT expose the chip to a temperature greater than 320 °C for more than 20 seconds. No more than 3 seconds of scrubbing should be required for attachment.

Epoxy Die Attach: Apply a minimum amount of epoxy to the mounting surface so that a thin epoxy fillet is observed around the perimeter of the chip once it is placed into position. Cure epoxy per the manufacturer's schedule.

Wire Bonding

Ball or wedge bond with 0.025mm (1 mil) diameter pure gold wire. Thermosonic wirebonding with a nominal stage temperature of 150 °C and a ball bonding force of 40 to 50 grams or wedge bonding force of 18 to 22 grams is recommended. Use the minimum level of ultrasonic energy to achieve reliable wirebonds. Wirebonds should be started on the chip and terminated on the package or substrate. All bonds should be as short as possible <0.31mm (12 mils).

**GaAs MMIC FUNDAMENTAL
MIXER, 26 - 32 GHz**

